

4

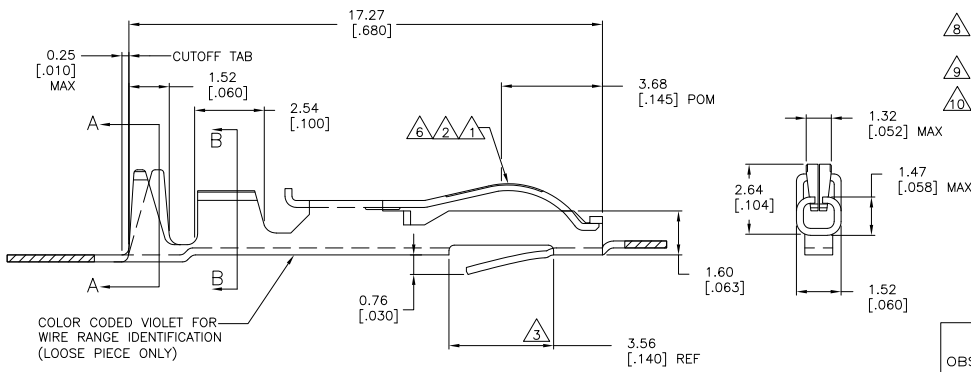
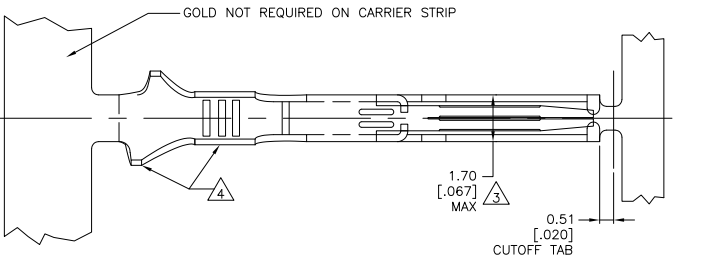
3

2

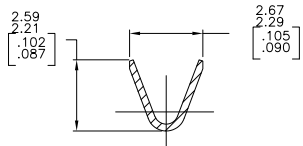
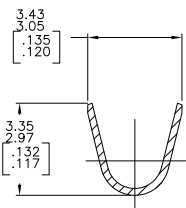
1

THIS DRAWING IS UNPUBLISHED. RELEASED FOR PUBLICATION.
 BY TYCO ELECTRONICS CORPORATION. ALL RIGHTS RESERVED.

LOC	DIST	REVISIONS			
F	LNK	DESCRIPTION	DATE	BY	APPD
Z		REV PER 0030-0515-04	05JAN05	JR	MM
Z1		REVISED PER ECO-09-024927	09NOV09	KK	AEG



COLOR CODED VIOLET FOR WIRE RANGE IDENTIFICATION (LOOSE PIECE ONLY)



SECTION B-B
WIRE RANGE
#22-#18 AWG

- 1 .000030 GOLD OVER .000030 NICKEL IN CONTACT AREA.
- 2 .000015 GOLD OVER .000030 NICKEL IN CONTACT AREA.
- 3 .067 MAX ALLOWED IN LOCKING POSITION AREA FOR .140 REF LENGTH.
- 4 TIN-LEAD IN CRIMP AREA.
- 5 OBSOLETE
- 6 .000050 GOLD OVER .000050 NICKEL IN CONTACT AREA. REMAINDER OF CONTACT GOLD FLASH OVER NICKEL.
- 7 CRIMP TWIN LEAF CONTACTS WITH 22-18 AWG WIRE RANGE TO BE USED ONLY WITH .125CL & .156CL CRIMP TWIN LEAF HOUSINGS.
- 8 UNPLATED PARTS IN STRIP FORM REELED ON CORRUGATED REEL FOR SALABLE PART.
- 9 TIN IN CRIMP AREA.
- 10 OBSOLETE PARTS; OBSOLETE CIS STREAMLINING PER D.RENAUD/D.SINISI

OBSOLETE	5-583649-3	-583649-8	1 9	10 5-583649-6
OBSOLETE	5-583649-2	-583649-9	2 9	10 5-583649-5
OBSOLETE	1-583649-1	-	8	-
OBSOLETE	583649-4	1-583649-0	6	10 583649-7
OBSOLETE	583649-3	583649-8	1 4	583649-6
OBSOLETE	583649-2	583649-9	2 4	10 583649-5
STRIP PART #	STD	STRIP PART #	FINISH	LOOSE
REELING	REELING	REELING		PIECE
LEFT TO RIGHT	RIGHT TO LEFT	RIGHT TO LEFT		

THIS DRAWING IS A CONTROLLED DOCUMENT.		DM A STAUJL BG	02AUG03	Tyco Electronics Corporation Harrisburg, PA 17105-3608	
DIMENSIONS: mm [INCHES]		CHK H ROSE	18FEB94	CONTACT-TWIN LEAF (CRIMP-SNAP)	
TOLERANCES UNLESS OTHERWISE SPECIFIED:		APPD H ROSE	18FEB94	RESTRICTED TO	
0 PLC ± .-		PRODUCT SPEC		SIZE	CAGE CODE DRAWING NO
1 PLC ± .-		APPLICATION SPEC		A2	00779 C-583649
2 PLC ± .-		WEIGHT		SCALE	10:1
3 PLC ± .005		FINISH	SEE TABLE	SHEET	1 of 1
4 PLC ± .-		MATERIAL	PHOS BRONZE	REV	Z1
CUSTOMER DRAWING					

583649

A