

4

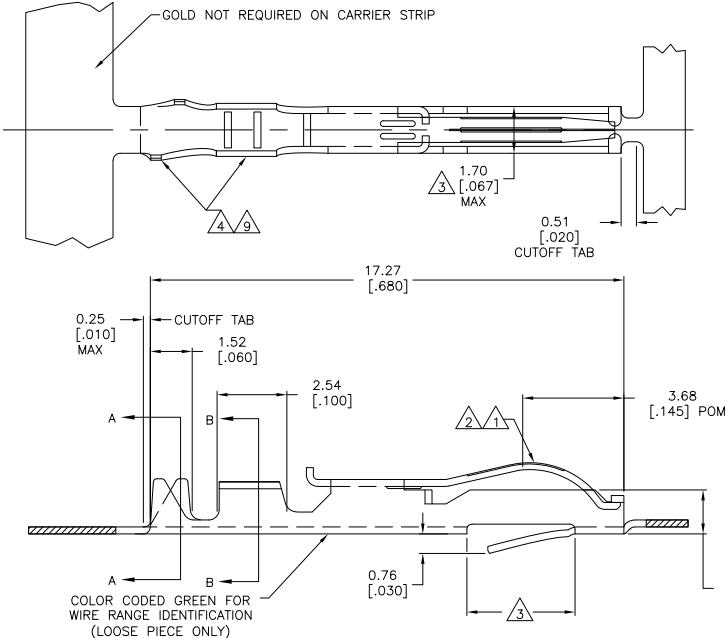
3

2

1

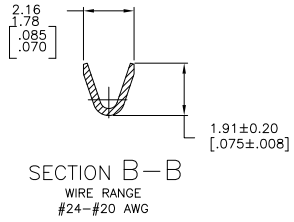
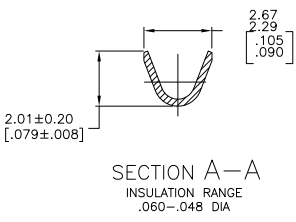
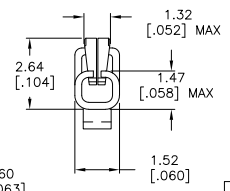
THIS DRAWING IS UNPUBLISHED. RELEASED FOR PUBLICATION. ALL RIGHTS RESERVED.

LOC	DIST	REVISIONS			
F	REV	DESCRIPTION	DATE	BY	APPD
AD	00	V3	REVISED PER ECO-11-004820	11MAR11	RK HMR



COLOR CODED GREEN FOR WIRE RANGE IDENTIFICATION (LOOSE PIECE ONLY)

- 1 .000030 GOLD OVER .000030 NICKEL IN CONTACT AREA.
- 2 .000015 GOLD OVER .000030 NICKEL IN CONTACT AREA.
- 3 .067 MAX ALLOWED IN LOCKING LANCE AREA
- 4 TIN-LEAD IN CRIMP AREA.
- 5 OBSOLETE
- 6 .000050 GOLD OVER .000050 NICKEL IN CONTACT AREA. REMAINDER OF CONTACT GOLD FLASH OVER NICKEL.
- 7 .000015 GOLD OVER .000030 NICKEL IN CONTACT AREA. REMAINDER OF CONTACT GOLD FLASH OVER NICKEL.
- 8 UNPLATED PARTS IN STRIP FORM REELED ON CORRUGATED REEL FOR SALABLE PART.
- 9 TIN PLATE IN CRIMP AREA
- 10 OBSOLETE PARTS: OBSOLETE CIS STREAMLINING PER D.RENAUD/D.SINISI



5-583853-3	-	1, 9	5-583853-5
10 OBSOLETE	5-583853-2	5-583853-7	2, 9
1-583853-3	-	8	1-583853-1
OBSOLETE	1-583853-0	1-583853-2	7
583853-8	-	6	583853-9
OBSOLETE	583853-3	1, 4	583853-5
10 OBSOLETE	583853-2	583853-7	2, 4
STRIP PART # STD REELING LEFT TO RIGHT	STRIP PART # REELING RIGHT TO LEFT	FINISH	LOOSE PIECE

THIS DRAWING IS A CONTROLLED DOCUMENT. DIM A STAUB BG 02AJG93

TE Connectivity

CONTACT-TWIN LEAF (CRIMP-SNAP)

DATE: 18FEB94

APPROVED: H ROSE

PRODUCT SPEC: 18FEB94

APPLICATION SPEC: -

SIZE: A2

WEIGHT: -

MATERIAL: PHOS BRONZE

FINISH: SEE TABLE

CUSTOMER DRAWING

SCALE: 10:1

SHEET: 1 of 1

REV: V3