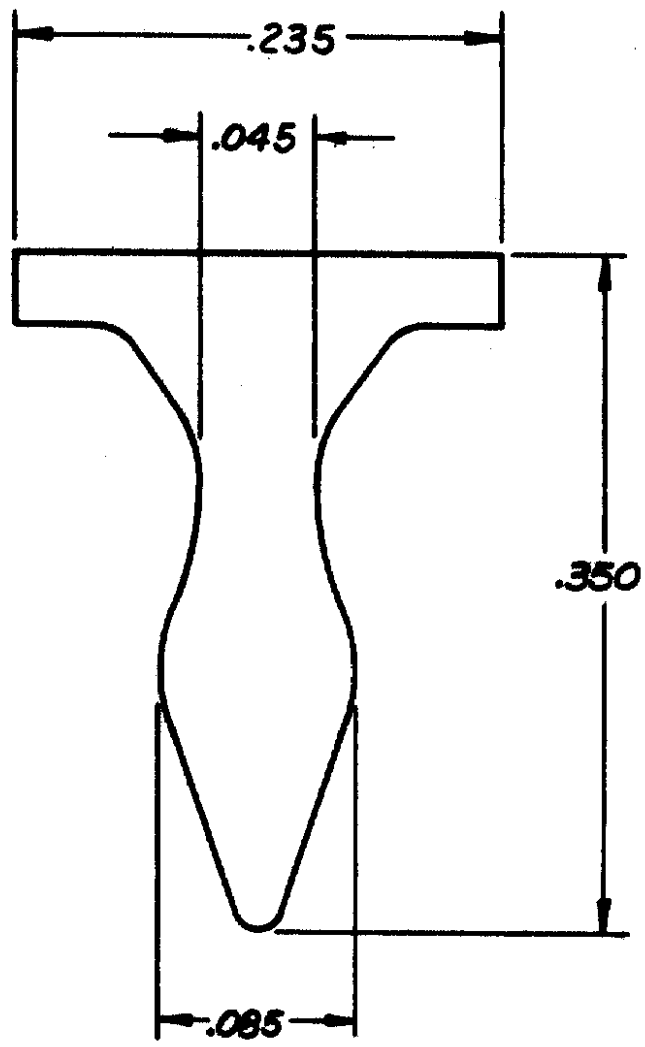



THIS DRAWING IS UNPUBLISHED. RELEASED FOR PUBLICATION MAY 7, 1982.  
 BY AMP INCORPORATED, HARRISBURG, PA. ALL INTERNATIONAL RIGHTS RESERVED. AMP PRODUCTS MAY BE COVERED BY U.S. AND FOREIGN PATENTS AND/OR PATENTS PENDING.

REVISIONS					
P	F	LTR	DESCRIPTION	DATE	APPROVED
✓	✓	0	REL PER NPS 202-14270	5-7-82	MB



-1 AS SHOWN

UNLESS OTHERWISE SPECIFIED DIMENSIONS ARE IN INCHES. TOLERANCES ON: DECIMALS ±.005 ANGLES ±	CONTRACT NO		 <b>AMP INCORPORATED</b> Harrisburg, Pa. 17105	
	DR	<i>M Bowers 5-7-82</i>		
MATERIAL	CHK	NAME		
<b>NYLON TYPE 66</b> .070 THK	<i>Q.P. [Signature]</i>	<b>KEY POLARIZING</b>		
FINISH	APPD	SIZE	FSCM NO	DRAWING NO
	<i>H. Albert 5-18-82</i>	<b>A</b>	<b>00779</b>	<b>645089</b>
	APPD	SCALE	SHEET	
	<i>M Bowers 5/11/82</i>			
	DSGN APPD			
	OTHER APPD			