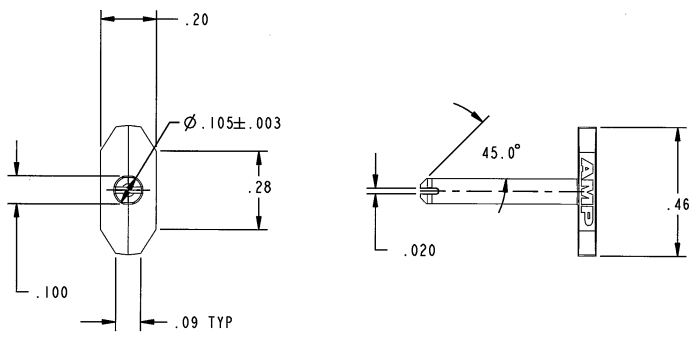
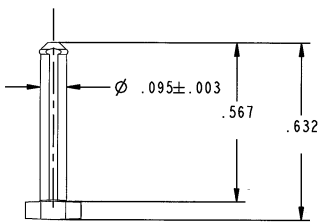


THIS DRAWING IS UNPUBLISHED. RELEASED FOR PUBLICATION. BY AMP INCORPORATED. ALL RIGHTS RESERVED.

LOC		DIST		REVISIONS				
TR	LN	DESCRIPTION	DATE	BY	CHK	APPD		
0		RELEASED	29OCT87	MR	JS			



△ MATERIAL: POLYCARBONATE  
 COLOR: BLACK.  
 2. PART MASS IS APPROXIMATELY .175 GRAMS.  
 3. USED IN KIT 145308.



<small>THIS DRAWING IS UNPUBLISHED. RELEASED FOR PUBLICATION. ALL RIGHTS RESERVED. BY AMP INCORPORATED. ALL RIGHTS RESERVED.</small>		DWN E. E. BERKEBILL 20 JUNE 87		<b>AMP</b> Incorporated Harrisburg, PA 17105-3600	
DIMENSIONS: INCHES		TOLERANCES UNLESS OTHERWISE SPECIFIED:		NAME: PIN, HEATSINK SUPPORT	
0 PLC ± .01 1 PLC ± .01 2 PLC ± .01 3 PLC ± .005 4 PLC ± .005 ANGLES ± .0° 30'		FINISH:		PRODUCT SPEC:	
MATERIAL: △		WEIGHT:		APPLICATION SPEC:	
CUSTOMER DRAWING		SIZE: A2		CASE CODE: 00779	
DRAWING NO: 145311		SCALE: 4:1		SHEET: 1 OF 1	
REV: 0		DATE:		BY:	

AMP 1471-9 REV 08/87/88