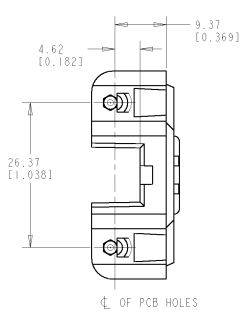
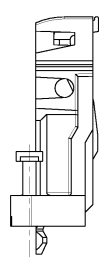
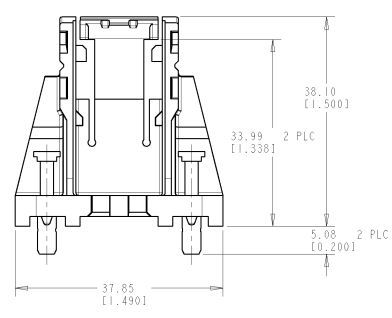
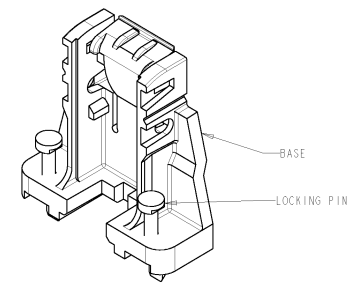


RECOMMENDED PC BOARD LAYOUT
 SCALE 1:1



REV	DATE	DESCRIPTION	BY	CHKD
0		RELEASED	YBR/MS	RB KS

- ⚠ MATERIAL: UL 94-VO RATED POLYCARBONATE, BLACK.
- ⚠ RECOMMENDED PC BOARD THICKNESS OF 1.57±0.15 [1.062±.006].
- ⚠ DATUM AND BASIC DIMENSIONS ESTABLISHED BY CUSTOMER.
- ⚠ EACH PROCESSOR INSTALLATION REQ'S TWO RETENTION MODULES.



DESCRIPTION	PART NUMBER
2 MODULES WITH LOCKING PINS	145451-2
1 MODULE WITH LOCKING PINS	145451-1

DIMENSIONS:		TOLERANCES UNLESS OTHERWISE SPECIFIED:		REV	DATE	DESCRIPTION	BY	CHKD	
mm (INCHES)	0 PLC	±	0.131 (0.005)	0	16MAR89	R. BROWN	16MAR89		
	1 PLC	±	0.131 (0.005)	1	16MAR89	R. BROWN	16MAR89		
	2 PLC	±	0.131 (0.005)	2	16MAR89	R. BROWN	16MAR89		
	3 PLC	±	0.131 (0.005)	3	16MAR89	R. BROWN	16MAR89		
	4 PLC	±	0.131 (0.005)	4	16MAR89	R. BROWN	16MAR89		
	5 PLC	±	0.131 (0.005)	5	16MAR89	R. BROWN	16MAR89		
	ANGLES	±	0.131 (0.005)						
	FINISH	±	0.131 (0.005)						
MATERIAL		FINISH		WEIGHT		PRICE		CARE CODE	
POLYCARBONATE		BLACK		-		A2100779		C=145451	
CUSTOMER DRAWING		SCALE		SHEET		OF		REV	
		2:1		1		1		0	