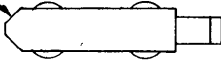


©1967 BY AMP INCORPORATED. ALL RIGHTS RESERVED. AMP PRODUCTS COVERED BY PATENTS AND/OR PATENTS PENDING.

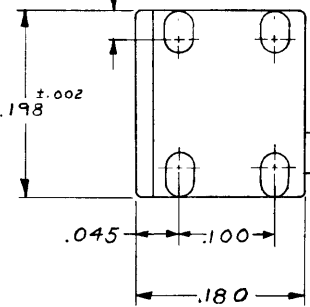
583283-1. I.A.S SHOWN.

REVISES		DESCRIPTION	DATE	APPROVED
✓	U	RELEASED WAS SPEC-2A (CPM)	12-17-72	MS
✓	A	REVISED MATL.	1973	MS BH
✓	B	REVISED	3-7-73	MS, MZ

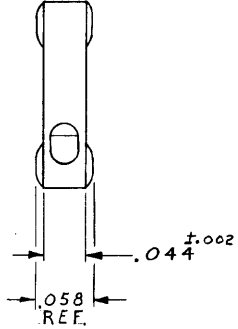
.020 ± 45° TYP.  
REF.






.030 TYP.



KEY BOTTOM IDENTIFICATION



NOTE:  
 GLASS FILLED NYLON  
 COLOR: NATURAL

UNLESS OTHERWISE SPECIFIED DIM. ARE IN INCHES. TOLERANCES ON: DECIMALS ± .005 ANGLES ±		CONTRACT NO. 2-9-67		AMP INCORPORATED HARRISBURG, PENNSYLVANIA	
MATERIAL 		DR M. Smith	NAME KEYING PLUG	MODIFIED FORK CONTACT	
AMP INFO		CHK'd C. Heide 6/19/67	APPD J. Kaufman 4/17/67	SIZE B	CODE IDENT NO. 00779
LOC ADP	DATE TO BY 11/4	HEAT TREAT #	OTHER APPD	NUMBER 583283	SCALE 10-1
FINISH #				WT CALC	ACTUAL SHEET