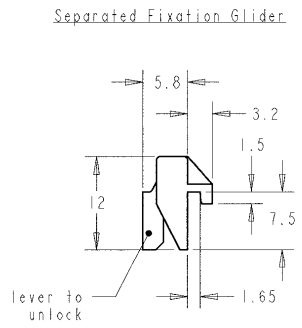
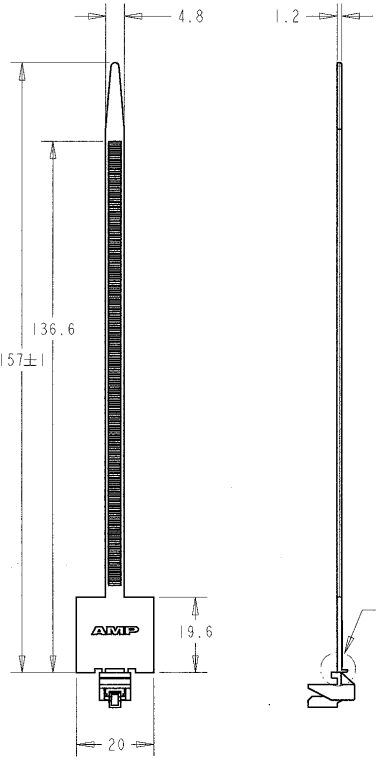
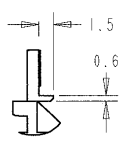


THIS DRAWING IS UNPUBLISHED. RELEASED FOR PUBLICATION
 COPYRIGHT 19 BY AMP HOLLAND B.V. ALL RIGHTS RESERVED.

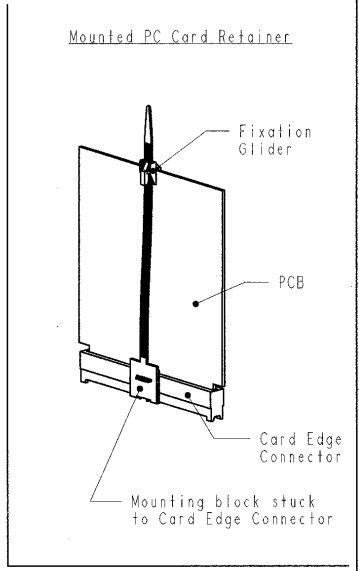
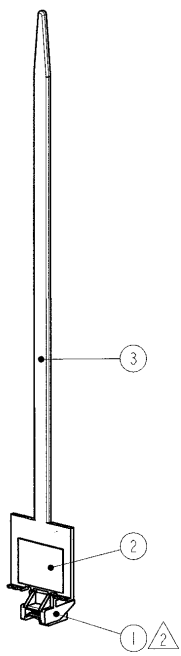
LOC	DIST	REVISIONS			
H	-	LTR	DESCRIPTION	DATE	APVD



SCALE 2:1



DETAIL P
SCALE 5:2



NOTES:

- Product applicable for PCBs:
 - up to 120 mm height
 - up to 1.60 mm thickness
- Fixation glider has to be broken off and assembled to ty manually
- P.n. 0-1377016-1 as shown

THIS DRAWING IS A CONTROLLED DOCUMENT FOR AMP HOLLAND B.V. IT IS SUBJECT TO CHANGE AND THE CONTROLLING ENGINEERING ORGANIZATION SHOULD BE CONTACTED FOR THE LATEST VERSION.

DIMENSIONS:	TOLERANCES UNLESS OTHERWISE SPECIFIED:
mm	
0 PLC	± 0.2
1 PLC	± 0.1
2 PLC	± 0.05
3 PLC	± 0.025
4 PLC	± 0.01
ANGLES	± 0°30'
MATERIAL	FINISH
Werkstoff Nr. -	

3	Ty	Nylon	
2	Double-sided adhesive tape		
1	Fixation glider	Nylon	
Item no.	Name or remarks	Material	Finish
SWK	D. Halberstadt	Computer & Consumer	Electronics Dept.
CHK	-	AMP AMP Holland B.V. s-Hertogenbosch	
APVD	-	NAME PC Card Retainer	
PRODUCT SPEC	-	SIZE	CAGE CODE
APPLICATION SPEC	-	A3	00779
WEIGHT	-	DRAWING NO C1377016	
CUSTOMER DRAWING		SCALE	H
		SHEET	1 OF 1
		REV	A