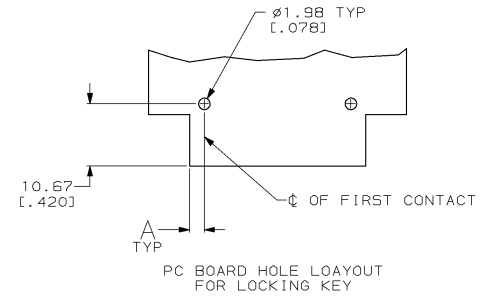
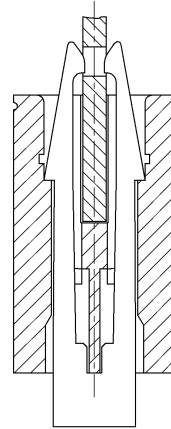
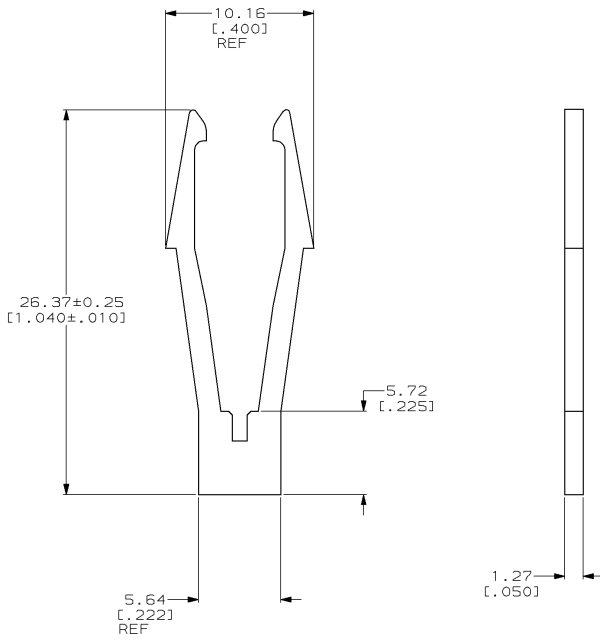


THIS DRAWING IS UNPUBLISHED. RELEASED FOR PUBLICATION
 © COPYRIGHT 19 BY AMP INCORPORATED. ALL INTERNATIONAL RIGHTS RESERVED.

LOC		DIST		ZONE		LTR		REVISIONS		DATE	APPD
FT	22	P	F					C	REDRAWN PER 0010-0072-94	2/8/94	HR
								D	REV PER EC 0320-349-97	24 OCT 97	NS

1. FOR USE WITH CRIMP-SNAP TWIN LEAF HOUSING.



.156	.160
.125	.125
.100	.100
⌀	A

530213-1
PART NUMBER

DO NOT SCALE PRINT. UNLESS SPECIFIED DIMENSIONS IN mm [INCHES] TOLERANCES ON + 2 PLC DEC # - 3 PLC DEC # .010 ANGLES ± -		DR 8-2-93 A. STAUB BG		AMP Incorporated Harrisburg, PA 17105-3608	
MATERIAL NYLON		CHK 2/8/94 H ROSE		NAME	
FINISH -		APPD 2/8/94 M THUMMA		LOCKING KEY CRIMP TWIN LEAF	
APPLICATION SPEC -		SIZE C	CAGE CODE 00779	DRAWING NO 530213	PART NO
WEIGHT -		SCALE 5:1	SHEET 1 OF 1		

THIS DRAWING IS A CONTROLLED DOCUMENT FOR AMP INCORPORATED. IT IS SUBJECT TO CHANGE AND THE CONTROLLING ENGINEERING ORGANIZATION SHOULD BE CONTACTED FOR THE LATEST REVISION.

CUSTOMER DRAWING