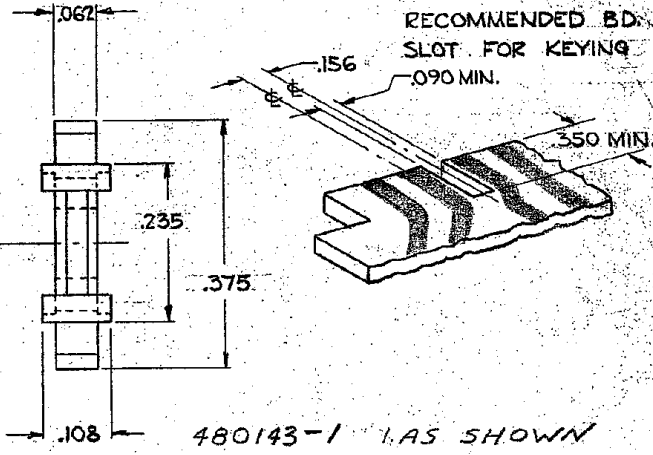
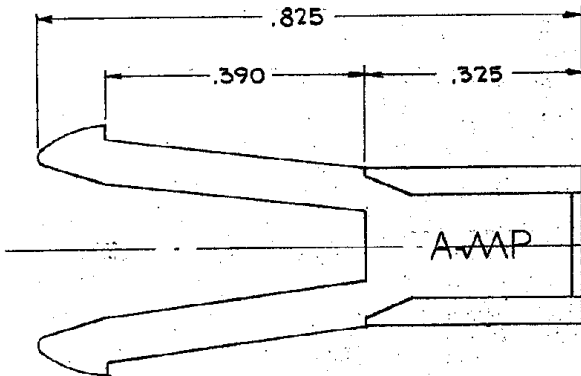


© 1961 BY AMP INCORPORATED. ALL RIGHTS RESERVED. AMP PRODUCTS COVERED BY PATENTS AND/OR PATENTS PENDING. APPROVED PER GOVT CONTRACT NO.

REVISIONS			
SYM	DESCRIPTION	DATE	APPD
D	REDRAWN W/O CHANGE PER Y-427	DR 5-18-66	
E	REV PER EC D320-349-97	20 MAR 97	NS



AMP INFO		
LOC	PRINT	LIST
FT	E	22

UNLESS OTHERWISE SPECIFIED		
DIMENSIONS ARE IN INCHES		
TOLERANCES ON		
FRACTIONS	DECIMALS	ANGLES
± #	± .005	± #
MATERIAL		
NYLON ZYTEL 101		
HEAT TREAT		
//		
FINISH		
//		

SIGNATURE		DATE
DR <i>D. Baer</i>		5-18-66
CHK <i>S.S. Heide</i>		5/25/66
DSGN ENGR		
APPD <i>J. Kaufman</i>		5/30/66
<i>R. Holleyday</i>		5/31/66
DSGN APPD		
OTHER APPD		

AMP		AMP INCORPORATED HARRISBURG, PENNSYLVANIA	
NAME			
POLARIZING KEY			
CODE IDENT NO	SIZE	NUMBER	
	A	480143	
SCALE 5:1	WT	CALC	ACTUAL
			SHEET 1 OF 1

AMP-1748-1

CUSTOMER DRAWING

C-480143