

4

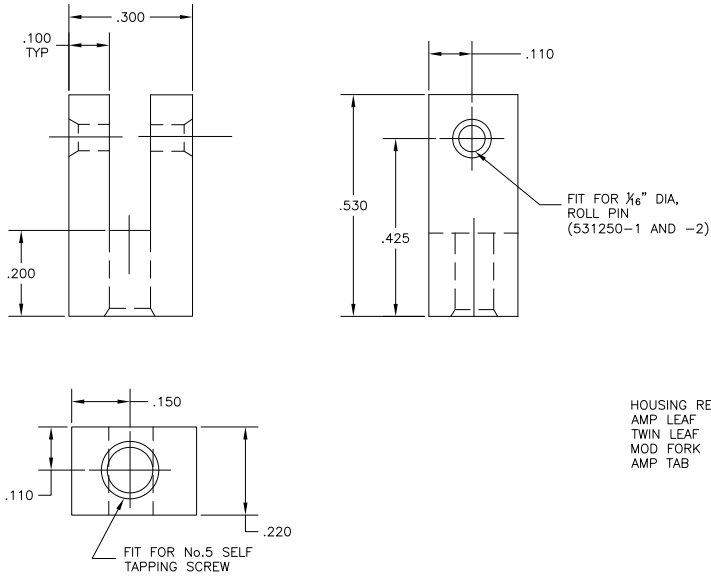
3

2

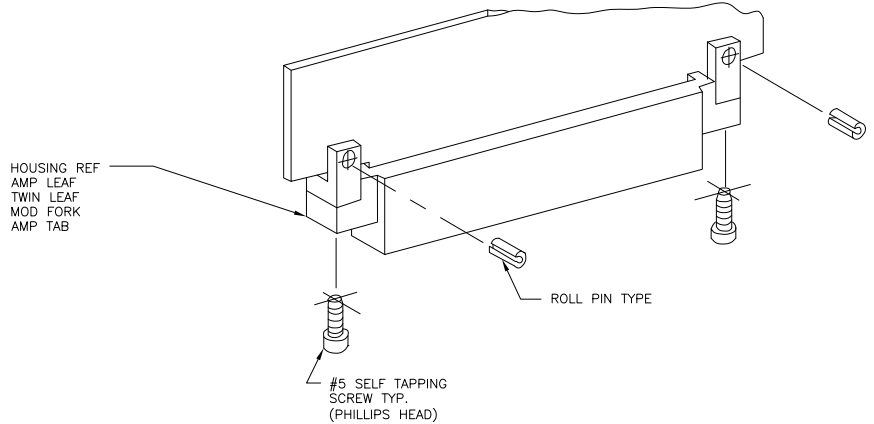
1

THIS DRAWING IS UNPUBLISHED. RELEASED FOR PUBLICATION  
 © COPYRIGHT BY TYCO ELECTRONICS CORPORATION. ALL INTERNATIONAL RIGHTS RESERVED.

LOC	DIST	REVISIONS			
P	LTR	DESCRIPTION	DATE	BY	APPD
AD	00	H	REVISED PER ECO-09-004905	02MAR09	HMR MM



- SUPERSEDED  $\Delta$  531250-1 KIT INCLUDES: 2=531250-2, 2=SCREWS #5 X 3/16", 2=ROLL PINS 1/16" X 1/4"
- $\Delta$  531250-2 AS SHOWN (BOARD RETAINER ONLY)
- OBSOLETE  $\Delta$  530250-3 KIT: SAME AS 530250-2 EXCEPT HOLE DIA IS .125 IN PLACE OF FIT FOR 1/16" ROLL PIN
- SUPERSEDED  $\Delta$  530250-4 KIT INCLUDES: 2=531250-2, 2=SCREWS #5 X 3/16", 2=ROLL PINS 1/16" X 1/4"
- $\Delta$  5-530250-4 KIT (LEAD FREE) INCLUDES: 2=531250-2, 2 SCREWS #5 X 3/16", 2=ROLL PINS 1/16" X 1/4"



	$\Delta$ 5	5-531250-4
SUPERSEDED BY 5-531250-4	$\Delta$ 4	531250-4
OBSOLETE	$\Delta$ 3	531250-3
	$\Delta$ 2	531250-2
SUPERSEDED BY 5-531250-4	$\Delta$ 1	531250-1
		DESCRIPTION PART NO

THIS DRAWING IS A CONTROLLED DOCUMENT.		DRW: A.M. SHARPE 11JULY78	Tyco Electronics Corporation Harrisburg, PA 17105-3608	
DIMENSIONS: INCHES		CHK: SACILLA	NAME: SACILLA	
OTHER DIMENSIONS: MILLIMETERS		APP: SACILLA	APPLICATION SPEC: ---	
MATERIAL: NYLON		FINISH: ---	SIZE: A2	CAGE CODE: 00779
			DRAWING NO: C-531250	RESTRICTED TO: ---
			CUSTOMER DRAWING	SCALE: 6:1 SHEET: 1 of 1 REV: H

1471-9 (1/08)

531250

A