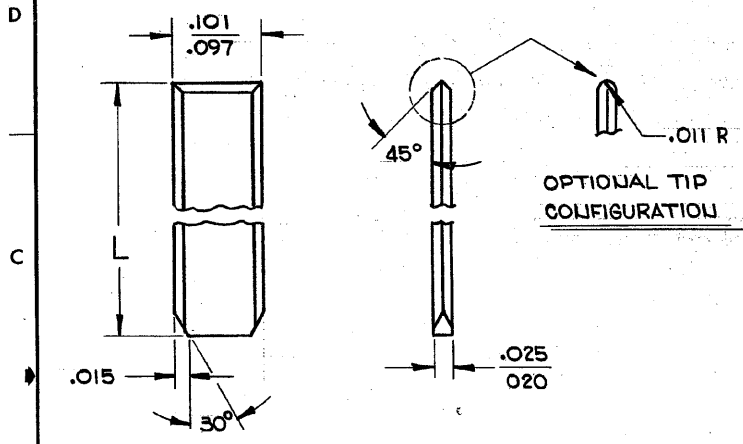


DRAWING MADE IN THIRD ANGLE PROJECTION

THIS DRAWING IS UNPUBLISHED. RELEASED FOR PUBLICATION

© COPYRIGHT 1967 BY AMP INCORPORATED, HARRISBURG, PA. ALL INTERNATIONAL RIGHTS RESERVED. AMP PRODUCTS MAY BE COVERED BY U.S. AND FOREIGN PATENTS AND/OR PATENTS PENDING.

P		ZONE	LTR	DESCRIPTION	DATE	APPROVED
✓	✓	D		REVISED AND REDRAWN G178	8-31-83	W/Boon
✓	✓	E		085-2 & -4 PER AD1831	3-22-88	LB
✓	✓	F		REV PER EC 0320-344-47	14-MAY-97	NS



OBSOLETE	NYLON	NATURAL	.495/.485	583274-4
	GLASS-FILLED POLYESTER	NATURAL	.295/.275	583274-3
OBSOLETE	NYLON	YELLOW	.295/.275	583274-2
	NYLON	NATURAL	.295/.275	583274-1

MATERIAL	COLOR	L	PART NO
UNLESS OTHERWISE SPECIFIED DIMENSIONS ARE IN INCHES. TOLERANCES ON DECIMALS: ±.005 ANGLES: ±.005	CONTRACT NO. DR. IRONHAUSER 8-31-83	AMP AMP INCORPORATED Harrisburg, Pa.	
MATERIAL	CHK. Raymond W/Boon 8/31/83	NAME KEY FOR AMP LEAF HOUSING, INTER-CONTACT, .020 THICK	
SEE CHART	APPD. Raymond W/Boon 8/31/83	SIZE B	FSCM NO. 00779
FINISH -#	DSGN APPD. W.D. Bentley 8/31/83	DRAWING NO. 583274	SCALE 10-1
	OTHER APPD.	SHEET 1 OF 1	

AMP 1470-15 REV 2-81

CUSTOMER DRAWING