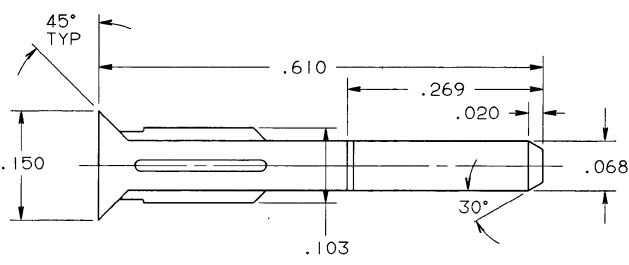


DRAWING MADE IN THIRD ANGLE PROJECTION

THIS DRAWING IS UNPUBLISHED. RELEASED FOR PUBLICATION . 19 .  
 © COPYRIGHT 19 BY AMP INCORPORATED, HARRISBURG, PA. ALL INTERNATIONAL RIGHTS RESERVED. AMP PRODUCTS MAY BE COVERED BY U.S. AND FOREIGN PATENTS AND/OR PATENTS PENDING

LOC		DIST		REVISIONS				
AD	14	P	F	ZONE	LTR	DESCRIPTION	DATE	APPR
						REL PER 86-5256-216	6/4/87	CP
					A	REV PER AD1948	10/87	W
					B	REV PER AD2378	4/88	CP
✓	✓				C	REV PER AD2670	6/88	CP



⚠ MATERIAL 94-VO POLYESTER, COLOR: NATURAL

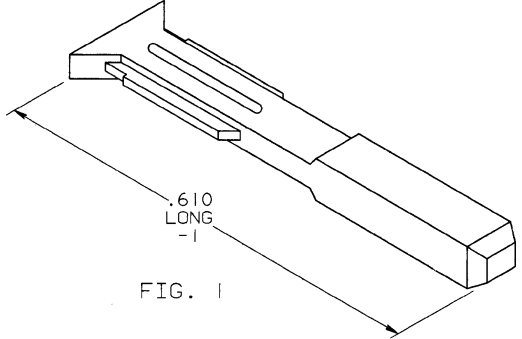


FIG. 1

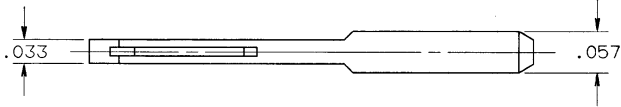


FIG. 2	KEY PLUG, SHCRT	650025-2
FIG. 1	KEY PLUG, LONG	650025-1
LENGTH	DESCRIPTION	PART NO

UNLESS OTHERWISE SPECIFIED DIMENSIONS ARE IN INCHES TOLERANCES ON: 2 PL DEC ± .005 3 PL DEC ± .005 ANGLES ± 3'	DR <i>C. PIERCE</i> 1-16-87	AMP INCORPORATED Harrisburg, Pa. 17105	
	CHK <i>J. DIORAZIO</i>		
	APPR <i>J. DIORAZIO</i>	NAME <b>KEY PLUG INTERCONTACT</b>	
	MATERIAL ⚠	APPR	DRAWING NO <b>650025</b>
FINISH	APPLICATION SPEC	SIZE <b>C</b>	FSCM NO <b>00779</b>
	WEIGHT	SCALE 10:1	SHEET 1 OF 2

CUSTOMER DRAWING

650025

DRAWING MADE IN THIRD ANGLE PROJECTION  
 THIS DRAWING IS UNPUBLISHED. RELEASED FOR PUBLICATION . 19 .  
 © COPYRIGHT 19 BY AMP INCORPORATED, HARRISBURG, PA. ALL INTERNATIONAL RIGHTS RESERVED. AMP PRODUCTS MAY BE COVERED BY U.S. AND FOREIGN PATENTS AND/OR PATENTS PENDING

REVISIONS				
ZONE	LTR	DESCRIPTION	DATE	APPR
		SEE SHEET ONE		

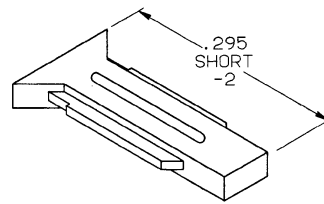
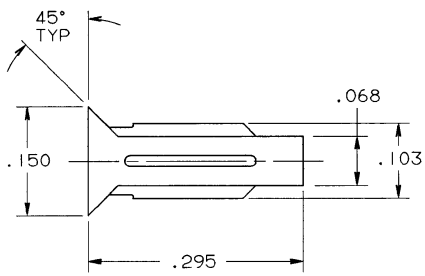
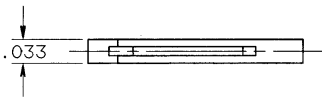


FIG. 2



UNLESS OTHERWISE SPECIFIED DIMENSIONS ARE IN INCHES TOLERANCES ON: 2 PL DEC * 3 PL DEC * ANGLES * 3'		DR <i>C. PIERCE</i> 1-16-87	AMP INCORPORATED Harrisburg, Pa. 17105	
MATERIAL ⚠		CHK <i>J. DIORAZIO</i>	NAME KEY PLUG INTERCONTACT	
FINISH		APPR <i>J. DIORAZIO</i>	SIZE <b>C</b>	FSCM NO <b>00779</b>
WEIGHT		PRODUCT SPEC	DRAWING NO <b>650025</b>	
		APPLICATION SPEC	SCALE 10:1	SHEET 2 OF 2

CUSTOMER DRAWING

650025