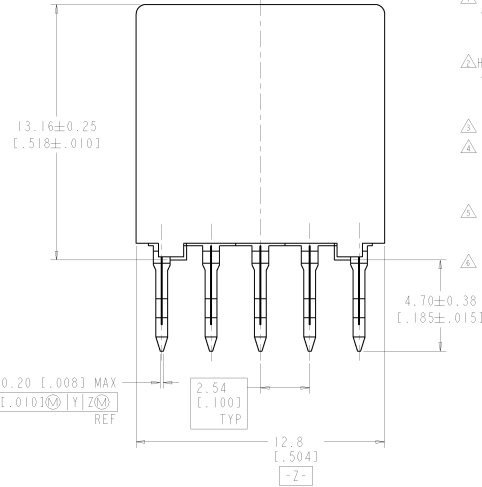
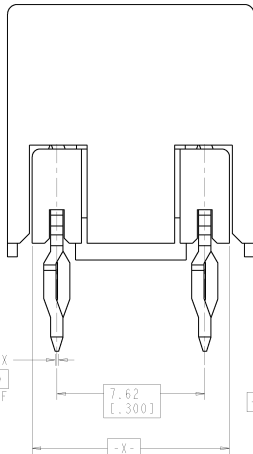
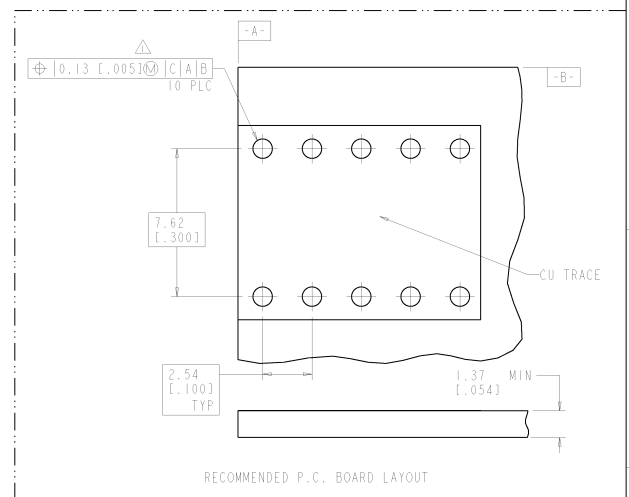
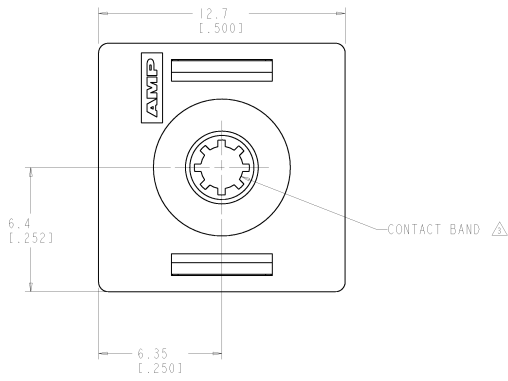


8	7	6	5	4	3	2	1
DATE REVISIONS	DESCRIPTION	BY	DATE	CHKD	APPD	REV	
01	01000001	01	01000001	01	01000001	01	

REV		REVISIONS			
NO	DATE	DESCRIPTION	BY	CHKD	APPD
1		RELEASED PER PRO BUYER'S ORDER	010001	DAS	BAP
2		REVISED PER 001B-0005-00	010001	DAS	BAP
3		REVISED PER 001B-0037-00	010001	DAS	BAP



- △ DRILLED HOLE DIAMETER 1.15 ± 0.03 [1.0453 ± 0.0011].
CU THICKNESS 0.03-0.08 [1.001-1.003].
SN PB THICKNESS 8µm [1.0003] MIN.
FINISHED HOLE AFTER PLATING 0.94-1.09 [1.037-1.043].
- △ HSG: THERMOPLASTIC, BLACK
CONTACT BAND: COPPER ALLOY
BODY: ZINC ALLOY
ACTION PIN CONTACT: BRONZE ALLOY
- △ ACCEPTS 3.58 ± 0.025 MATING PIN [1.41 ± 0.001].
- △ FINISHES:
BODY: 5.08µm [1.0002] MIN SILVER OVER 2.54µm [1.0001] MIN COPPER
ACTION PIN: 5.08µm [1.0002] MIN SILVER OVER 1.27µm [1.00005] MIN NICKEL
- △ CONTACT BAND FINISH: 5.08µm [1.0002] MIN SILVER OVER 1.02µm [1.00004] MIN NICKEL.
- △ CONTACT BAND FINISH: .76µm [1.00003] MIN GOLD OVER 1.02µm [1.00004] MIN NICKEL.

CONTACT BAND FINISH	RECEPTACLE	796138-2
	RECEPTACLE	796138-1
DESCRIPTION	PART NUMBER	
RECEPTACLE ASSEMBLY VERTICAL, BOARD TO BOARD, POWER TAP		
AMP	AMP	AMP

AMP REV 01/04/00
PROFENGINEER DRAWING