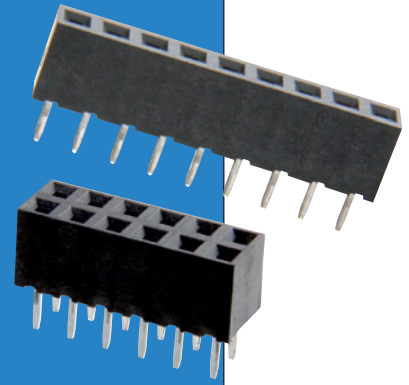


M22 Connectors

Female Vertical PC Tail

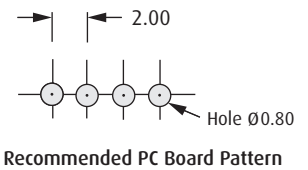
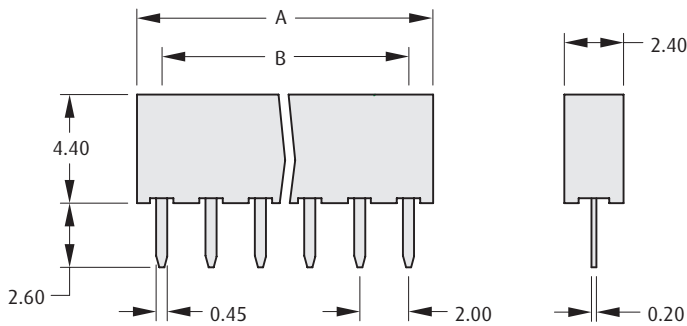
A range of 2mm pitch male and female connectors, with a variety of mating styles and finishes. For cable-to-board and board-to-board applications.

- ❖ Twin-leaf phosphor bronze contacts.
- ❖ Suitable for use with male connectors shown on pages 109 to 111 and 113 to 116.
- ❖ For Polarising Key use **order code M22-034000**.



2mm (.080") PITCH

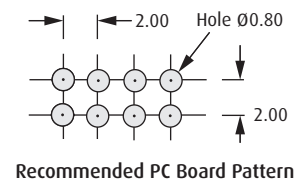
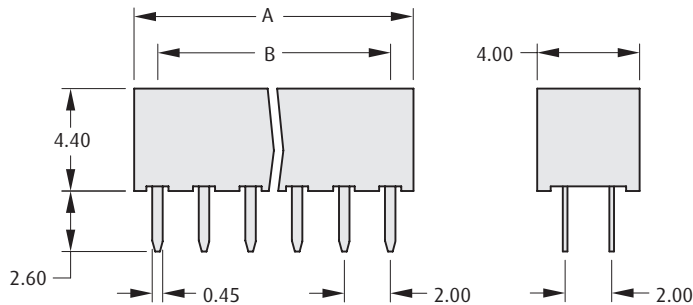
SINGLE ROW



CALCULATION

A	2.00 x No. of ways per row
B	2.00 x (No. of ways per row - 1)

DOUBLE ROW



HOW TO ORDER

M22 - 71 X XX XX

SERIES CODE

NO. OF ROWS

3	Single Row
4	Double Row

FINISH

42 Gold + Tin

NO. OF WAYS PER ROW

03 to 32

All dimensions in mm.

www.harwin.com

