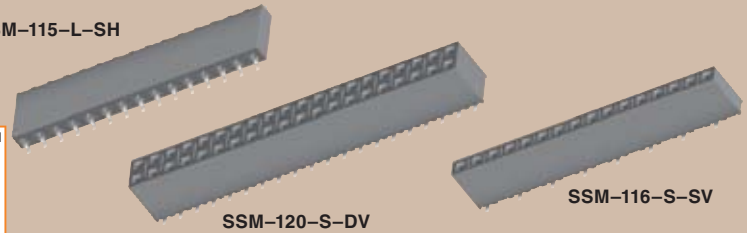




SSM-115-L-SH



SSM-120-S-DV

SSM-116-S-SV

(2,54mm) .100"

SSM SERIES

SMT .025" SQ BOX SOCKET

Mates with:

TSW, MTSW, TST, TSS, ZST, ZSS, DW, EW, ZW, TSM, HMTSW, HTSW, TSSH, BST, HTSS, TLW, MTLW

SPECIFICATIONS

For complete specifications and recommended PCB layouts see www.samtec.com?SSM

Insulator Material:

Black Liquid Crystal Polymer

Contact Material:

Phosphor Bronze

Plating:

Au or Sn over 50µ" (1,27µm) Ni

Voltage Rating:

475 VAC (-SV/-DV mated with TSW)

450 VAC (-SH/-DH mated with TSM)

Operating Temp Range:

-55°C to +125°C with Gold

-55°C to +105°C with Tin

Contact Resistance:

10 mΩ max

Insertion Depth:

SV/DV is (4,34mm) .171" to (7,24mm) .285" or pass-through from top; (5,56mm) .219" plus board thickness minimum from bottom; SH/DH is (4,34mm) .171" to (6,35mm) .250"

Insertion Force:

(Single contact only)

5oz (1,39N) average

Normal Force:

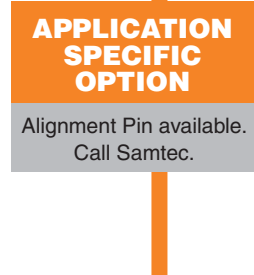
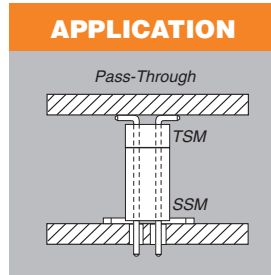
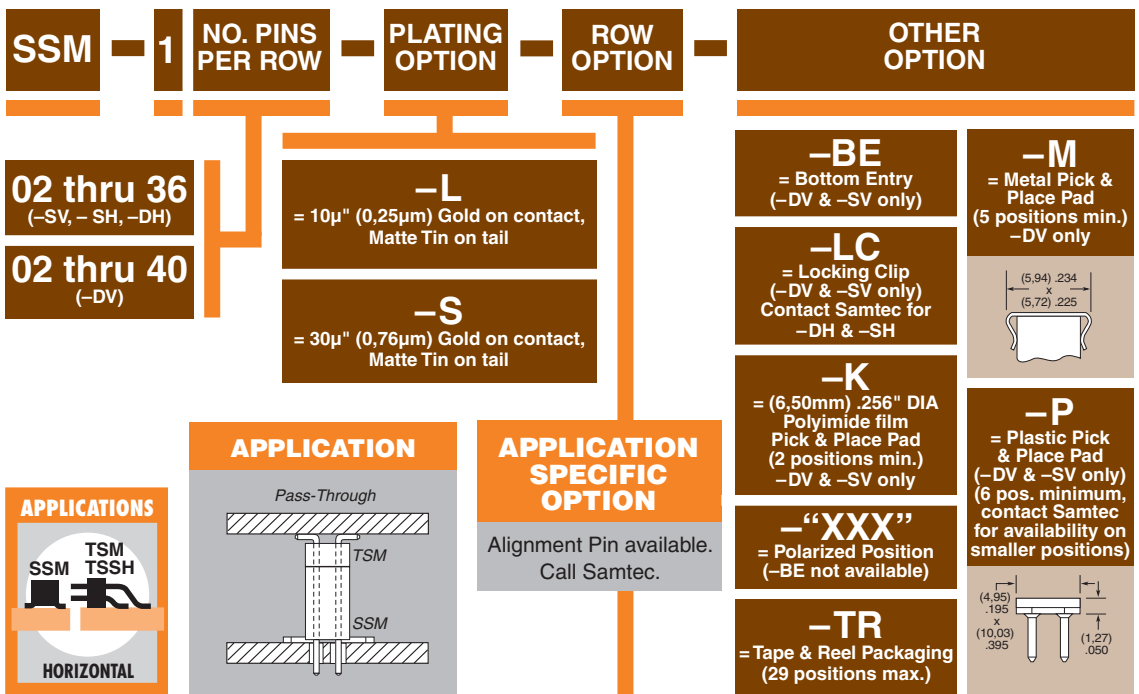
125 grams (1,21N) average

Withdrawal Force:

(Single contact only)

2oz (0,56N) average

RoHS Compliant: Yes



CURRENT RATING	
AMBIENT TEMP	SSM mated with TSW
20°C	6.9A
40°C	6A
60°C	5.3A
95°C	3.5A

6 POSITIONS (2x3) POWERED

Processing:

Lead-Free Solderable:

Yes

-DH Coplanarity:

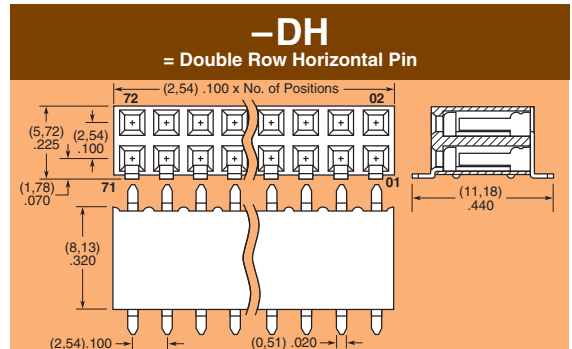
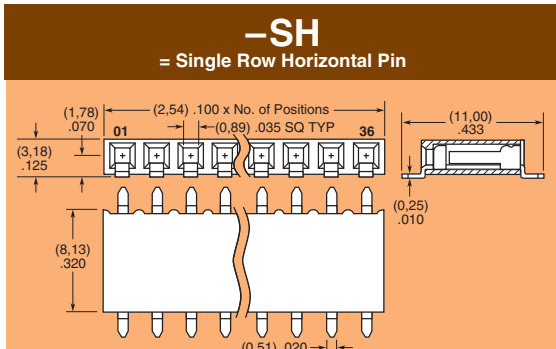
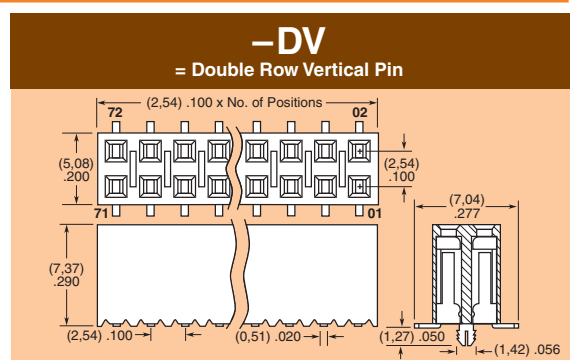
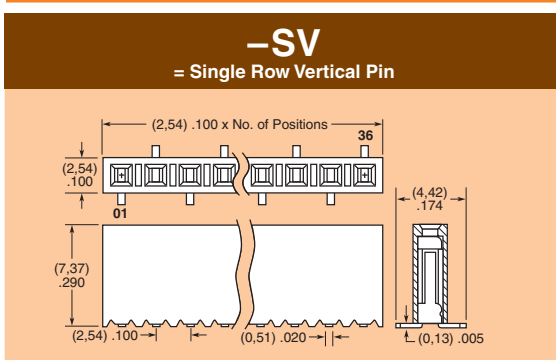
Less than 28 positions (0,15mm) .006" max

More than 27 positions (0,20mm) .008" max

-SH, -SV, -DV Coplanarity:

(0,15mm) .006" max

Note: Some lengths, styles and options are non-standard, non-returnable.



Due to technical progress, all designs, specifications and components are subject to change without notice.

WWW.SAMTEC.COM