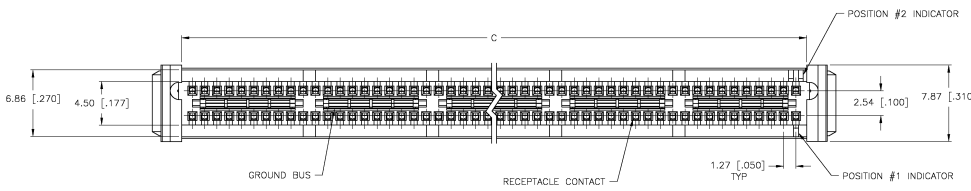
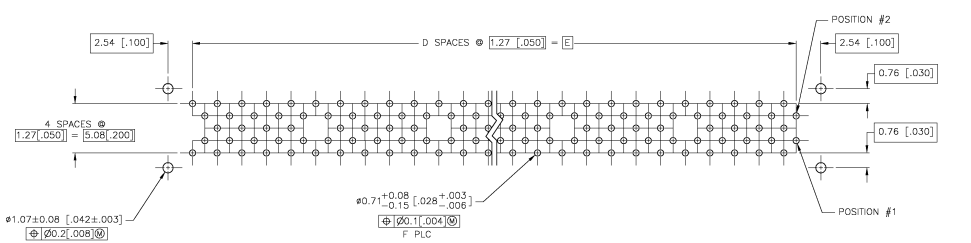
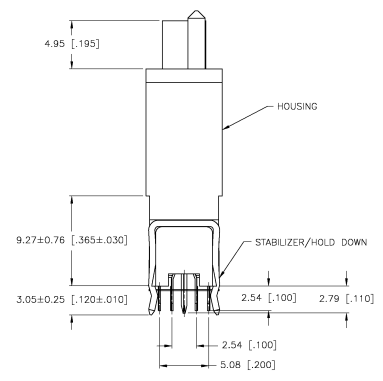
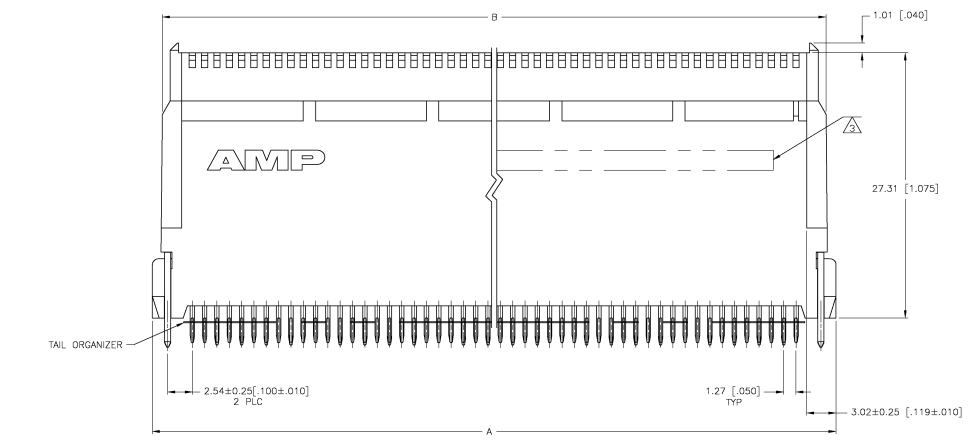


THIS DRAWING IS UNPUBLISHED. RELEASED FOR PRODUCTION.
 AMP CORPORATION AMP ELECTRONICS CORPORATION AMP NORTH BOSTON

REV	DATE	DESCRIPTION	BY	CHK	APP
AD	47		J		DD
J		REVISED PER ECN 0512-0487-02			KS DD



- △ HOUSING: HIGH TEMPERATURE THERMOPLASTIC, COLOR: NATURAL
- RECEPTACLE CONTACTS: PHOSPHOR BRONZE
- GROUND BUSES: BERYLLIUM COPPER
- STABILIZER: PHOSPHOR BRONZE
- TAIL ORGANIZER: POLYESTER FILM TAPE
- △ RECEPTACLE CONTACTS: 0.0007[0.00030] MIN GOLD IN CONTACT AREA, 0.00254-0.00762[.000100-.000300] TIN-LEAD ON SOLDER TAILS, ALL OVER 0.00127-0.00254[.000050-.000100] NICKEL ON CONTACT
- GROUND BUSES: 0.00076[0.00030] MIN GOLD IN CONTACT AREA, 0.00254-0.00762[.000100-.000300] TIN-LEAD ON SOLDER TAILS, ALL OVER 0.00127-0.00254[.000050-.000100] NICKEL ON ENTIRE BUS
- STABILIZER: 0.00254-0.00635[.000100-.000250] TIN-LEAD OVER 0.00127-0.00254[.000050-.000100] NICKEL.
- △ AMP PART NUMBER AND DATE CODE MARKED IN AREA INDICATED.
- △ PRELIMINARY - NOT RELEASED FOR PRODUCTION.



RECOMMENDED PC BOARD HOLE LAYOUT
 1.57[.062] THICK PCB
 (VIEWED FROM CONNECTOR SIDE)

REV	DATE	DESCRIPTION	BY	CHK	APP
144	74.93[2.950]				59
120	82.23[2.490]				49
F	E				D

REV	DATE	DESCRIPTION	BY	CHK	APP
78.14[3.037]	81.13[3.194]	83.18[3.275]			120
84.44[2.937]	88.43[2.694]	70.48[2.775]			100
C	B	A			NO OF POS
					PART NUMBER

THIS DRAWING IS A CONTROLLED DOCUMENT. SEE THE COMPANY'S CONTROL SYSTEMS FOR THE LATEST REVISIONS.

DESIGNER	DESIGNED BY	DATE	SCALE	TITLE
AM/MS	AM/MS	108-1272	1:1	RECEPTACLE ASSEMBLY, H-CONN, 3.18[125] TAIL, MICRO-STRIP
MATERIAL	QUANTITY	ORDER NO.	REV	DATE
AM/MS	114-11005	114-11005	A1	00778

Customer Drawing