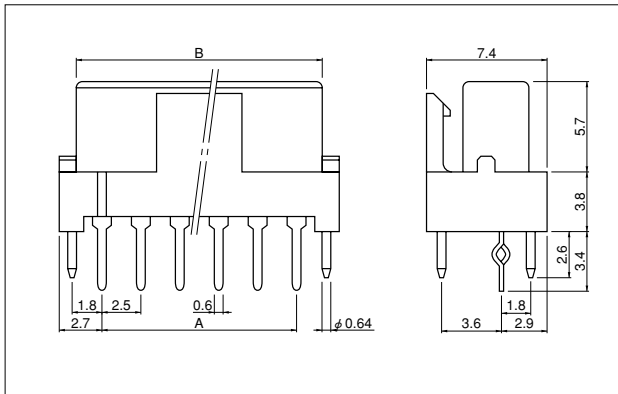


JL CONNECTOR

Receptacle



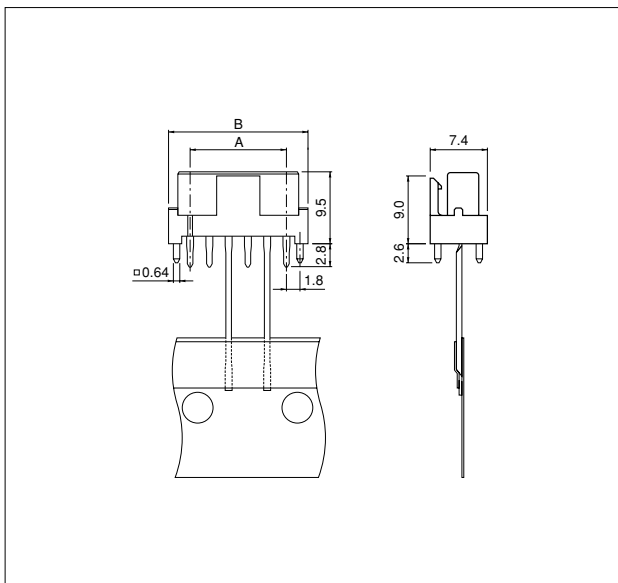
Circuits	Model No.	Dimensions (mm)		Q'ty / box
		A	B	
3	03JL-BT-E	5.0	8.2	250
4	04JL-BT-E	7.5	10.7	200
5	05JL-BT-E	10.0	13.2	200
6	06JL-BT-E	12.5	15.7	200
7	07JL-BT-E	15.0	18.2	200
8	08JL-BT-E	17.5	20.7	100
9	09JL-BT-E	20.0	23.2	100
10	10JL-BT-E	22.5	25.7	100
11	11JL-BT-E	25.0	28.2	100
12	12JL-BT-E	27.5	30.7	100
13	13JL-BT-E	30.0	33.2	100
15	15JL-BT-E	35.0	38.2	50

Material and Finish

Contact: Phosphor bronze, tin-plated (reflow treatment)
Housing: PA 66, UL94V-0, blue
Reinforcing pins: Brass, copper-undercoated, tin-plated (reflow treatment)

RoHS compliance This product displays (LF)(SN) on a label.

Receptacle on radial-tape



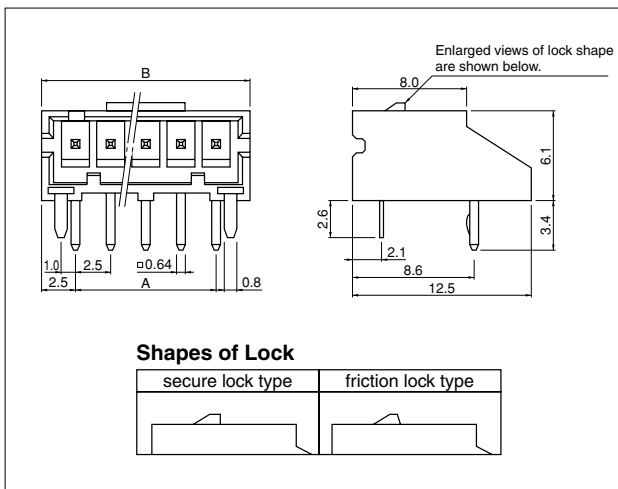
Circuits	Model No.	Dimensions (mm)		Q'ty / box
		A	B	
5	05JL-BT-M-T	10.0	15.4	400
6	06JL-BT-M-T	12.5	17.9	400
7	07JL-BT-M-T	15.0	20.4	400
8	08JL-BT-M-T	17.5	22.9	400

Material and Finish

Contact: Phosphor bronze, tin-plated (reflow treatment)
Housing: PA 66, UL94V-0
Reinforcing pins: Brass, copper-undercoated, tin-plated (reflow treatment)

RoHS compliance This product displays (LF)(SN) on a label.

Shrouded header



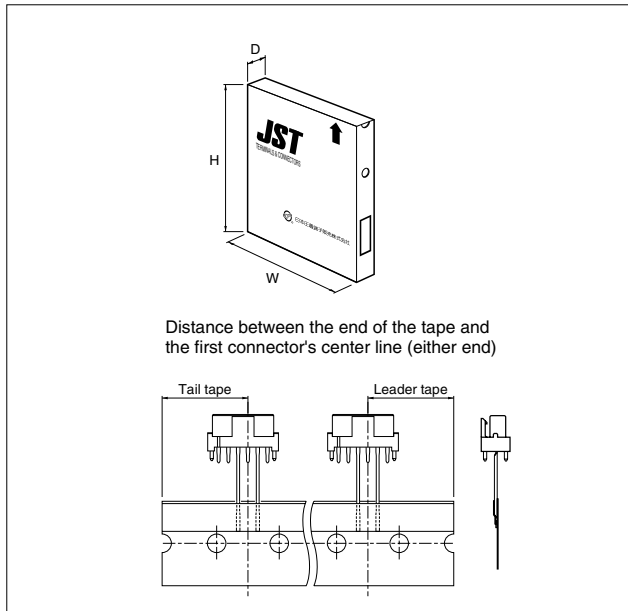
Circuits	Model No.		Dimensions (mm)		Q'ty / box
	secure lock type	friction lock type	A	B	
3	S3B-JL-R	S3B-JL-F-E	5.0	10.0	250
4	S4B-JL-R	S4B-JL-F-E	7.5	12.5	200
5	S5B-JL-R	S5B-JL-F-E	10.0	15.0	200
6	S6B-JL-R	S6B-JL-F-E	12.5	17.5	200
7	S7B-JL-R	S7B-JL-F-E	15.0	20.0	200
8	S8B-JL-R	S8B-JL-F-E	17.5	22.5	100
9	S9B-JL-R	S9B-JL-F-E	20.0	25.0	100
10	S10B-JL-R	S10B-JL-F-E	22.5	27.5	100
11	S11B-JL-R	S11B-JL-F-E	25.0	30.0	100
12	S12B-JL-R	S12B-JL-F-E	27.5	32.5	100
13	S13B-JL-R	S13B-JL-F-E	30.0	35.0	100
15	S15B-JL-R	S15B-JL-F-E	35.0	40.0	100

Material and Finish

Post: Brass, copper-undercoated, tin-plated (reflow treatment)
Wafer: PA 66, UL94V-0, red (secure lock type), blue (friction lock type)
Reinforcing pins: Brass, tin-plated (reflow treatment)

RoHS compliance This product displays (LF)(SN) on a label.

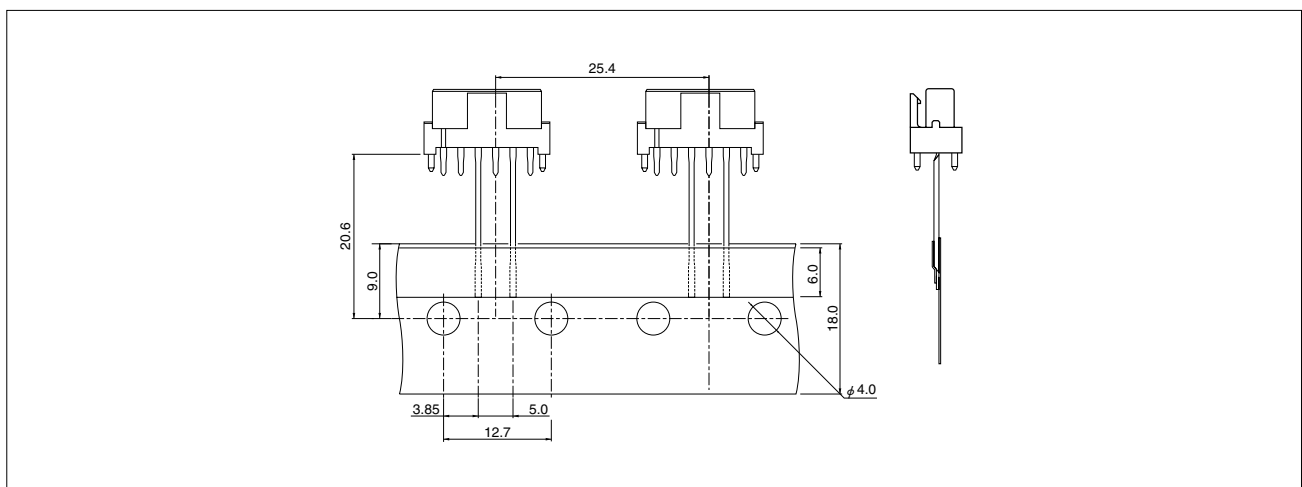
Packaging specifications



Package type	Flat pack (zigzag folded)	
Distance between folds	24 indexing holes per fold (304.8mm)	
Box size	315(W)×48(D)×285(H)mm	
Distance between the end of the tape and the first connector's center line (either end)	19.05mm	
Quantity	5~8 circuits	400 pcs. / box
Flat pack		

Note: Products of different packaging specifications are also available.
Contact JST for details.

Taping Specifications



Note: Conforms to JIC C 0806 of "Tape packaging of components with unidirectional leads on continuous tapes".