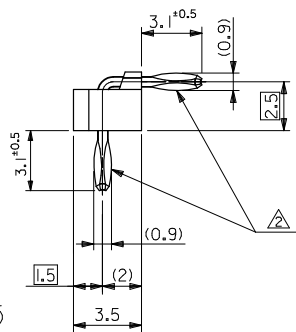
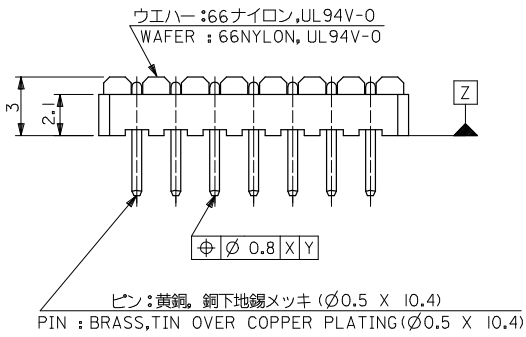
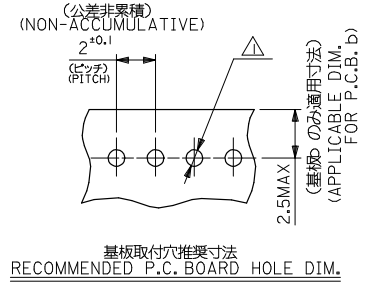
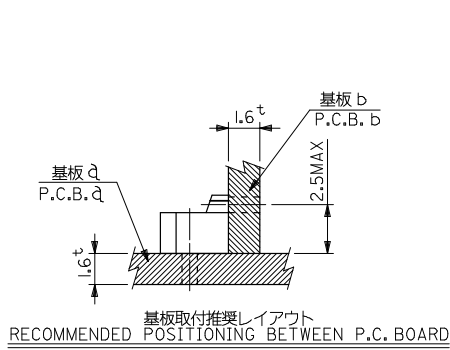
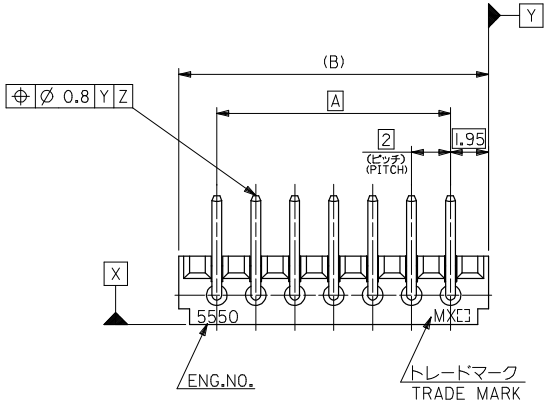


10 9 8 7 6 5 4 3 2 1



注記: NOTES:

- △ 3極 ~ 12極 :  $\phi 0.8^{+0.05}$   
3CKTS ~ 12CKTS :  $\phi 0.8^{+0.05}$
- △ 13極 ~ 20極 :  $\phi 0.85^{+0.05}$   
13CKTS ~ 20CKTS :  $\phi 0.85^{+0.05}$
- △ キングは 全ピン交互に設ける。  
SET KINK ALTERNATELY TO ALL CIRCUITS.

35.9	32	39-27-0174	5550-17A	17
29.9	26	39-27-0144	5550-14A	14
19.9	10	39-27-0064	5550-06A	6
7.9	4	39-27-0034	5550-03A	3
(B)	A	EDP NO.	ENG.NO.	極数 CKT.

REVISED EC NO: J2008-3104 DRAWN: KANAKURAA 2008/04/01 CHKD: HARUYAMA 2008/04/22 APPR: NIKITA 2008/04/22	GENERAL TOLERANCES (UNLESS SPECIFIED)		DIMENSION STYLE MM ONLY		SCALE 5:1	DESIGN UNITS METRIC	THIRD ANGLE PROJECTION
	10 UNDER	±0.2	DRAWN BY S. MATSUZAKI	DATE '95/9/16	TITLE 2.0 B/B DIP		
	10 OVER 30 UNDER	±0.25	CHECKED BY Y. M	DATE '95/9/16	MOLEX INCORPORATED		
	30 OVER	±0.3	APPROVED BY M. FUKUSHIMA	DATE '95/9/16	DOCUMENT NO. SD-5550-001	SHEET NO. 1 OF 1	
ANGULAR ±3°		DRAFT WHERE APPLICABLE MUST REMAIN WITHIN DIMENSIONS		SEE TABLE		THIS DRAWING CONTAINS INFORMATION THAT IS PROPRIETARY TO MOLEX INCORPORATED AND SHOULD NOT BE USED WITHOUT WRITTEN PERMISSION	