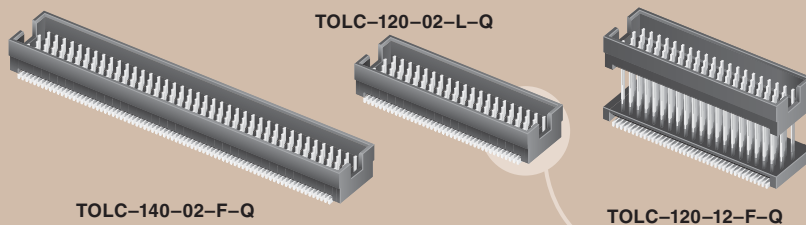




(0,635mm) .025"

TOLC SERIES



QUAD ROW SMT TERMINAL

SPECIFICATIONS

For complete specifications and recommended PCB layouts see www.samtec.com?TOLC

Insulator Material:

Black Liquid Crystal Polymer



Terminal Material:

Phosphor Bronze
Plating: Au over 50µ" (1,27µm) Ni

Current Rating:

2.5A @ 80°C ambient

Operating Temp Range:

-55°C to +125°C

RoHS Compliant:

Yes

Processing:

Lead-Free Solderable:

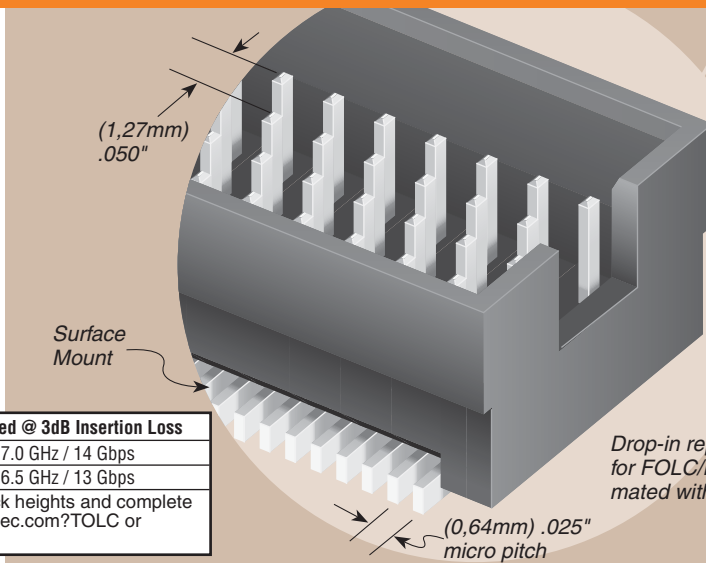
Yes

SMT Lead Coplanarity:

(0,10mm) .004" max (05-30)

(0,15mm) .006" max (35-50)

Mates with:
 SOLC



6.35mm Stack Height	Rated @ 3dB Insertion Loss
Single-Ended Signaling	7.0 GHz / 14 Gbps
Differential Pair Signaling	6.5 GHz / 13 Gbps

Performance data for other stack heights and complete test data available at www.samtec.com?TOLC or contact sig@samtec.com.

Drop-in replacement for FOLC/MOLC when mated with SOLC

ALSO AVAILABLE

- For Micro Rugged, see the MOLC/FOLC pages located in the Tiger Eye™ section.



05, 10, 15, 20, 25, 30, 35, 40, 45, 50
 (Call Samtec for other sizes)

Specify LEAD STYLE from chart

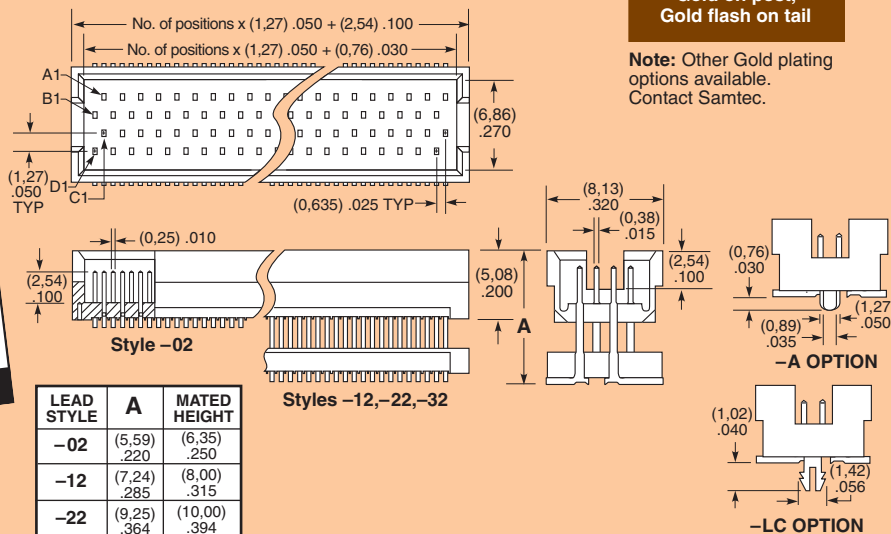
- F = Gold flash on post, Gold flash on tail
- L = 10µ" (0,25µm) Gold on post, Gold flash on tail

Note: Other Gold plating options available. Contact Samtec.

- A = Alignment Pin (N/A with -LC)
- LC = Locking Clip (N/A with -A) (Manual placement required)
- K = (9,00mm) .354" DIA Polyimide film Pick & Place Pad
- TR = Tape & Reel

TAPE & REEL AVAILABILITY

No tooling charges.
 Minimum order is the lesser of a full reel quantity or 125 pieces.
 Order any quantity above minimum. In-house design, manufacture. Quick turn-around.
 Call Samtec for specifications and ordering information.



LEAD STYLE	A	MATED HEIGHT
-02	(5,59) .220	(6,35) .250
-12	(7,24) .285	(8,00) .315
-22	(9,25) .364	(10,00) .394
-32	(11,23) .442	(12,00) .472

Note: Some sizes, styles and options are non-standard, non-returnable.

Due to technical progress, all designs, specifications and components are subject to change without notice.

WWW.SAMTEC.COM