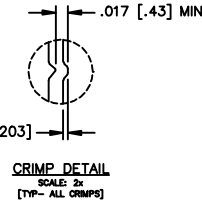
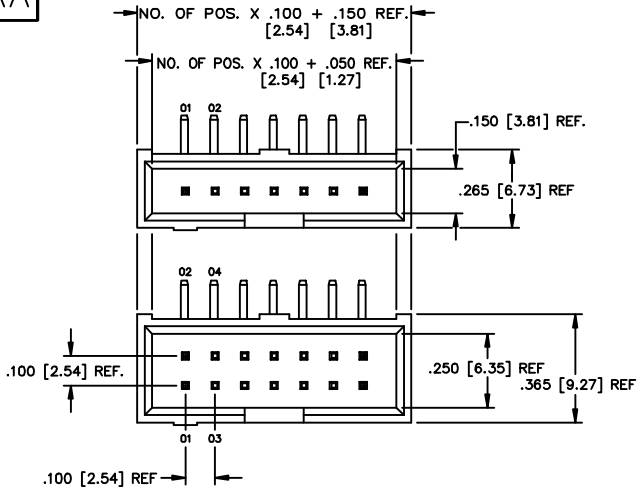


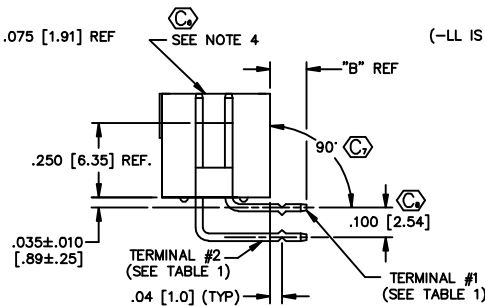
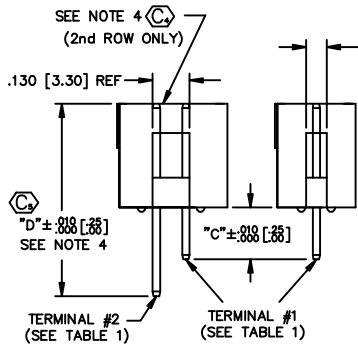
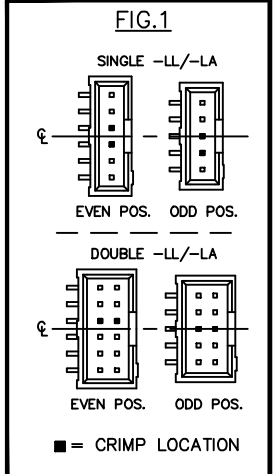
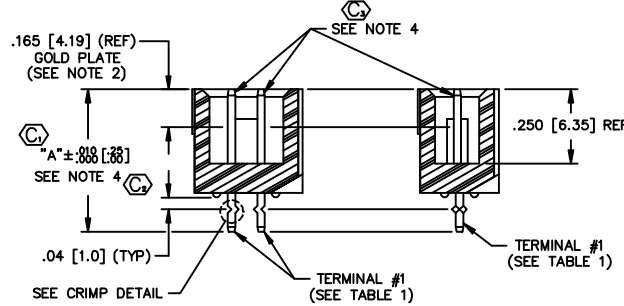
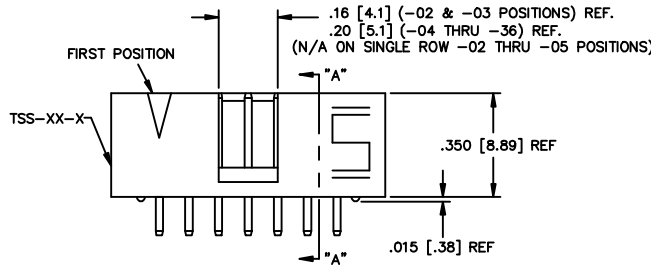
UNLESS OTHERWISE NOTED
 DIMENSIONS ARE IN INCHES TOLERANCES ARE:
 ONE PLACE DECIMALS ± .1 [3] THREE PLACE DECIMALS ± .005 [.13]
 TWO PLACE DECIMALS ± .01 [.3] FOUR PLACE DECIMALS ± .0020 [.051] ANGLES ± 2°



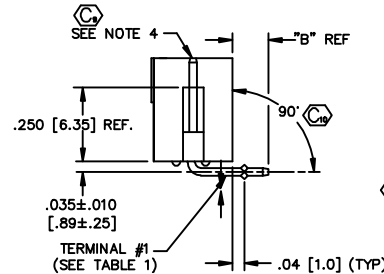
TSS-1XX-XX-XXX-X-XX-XX
 NO. OF POSITIONS: -02 THRU -18 & 20, 21, 24, 25, 28, 30, 32, 36
 LEAD STYLE: SEE TABLE 1
 POLARIZE OPTION: XX INDICATES POSITION OMITTED
 OPTION: BLANK: STRAIGHT (STYLE -04 & -05 N/A), -RA: RIGHT ANGLE (STYLE -01, -02, & -03 N/A), -LL: LOCKING LEAD, -LA: -RA OPTION WITH -LL OPTION
 PLATING SPECIFICATION: -G: GOLD-.000010 Au (CONTACT AREA) OVER .000050 NI, -T: TM-.000200 Sn OVER .000050 NI, -S: SELECTIVE-.000030 Au (CONTACT AREA), .000200 Sn ON TAIL OVER .000050 NI, -L: SELECTIVE-.000010 Au (CONTACT AREA), .000200 Sn ON TAIL OVER .000050 NI, -H: GOLD-.000030 Au (CONTACT AREA) OVER .000050 NI, -F: FLASH SELECTIVE GOLD-.000003 Au (CONTACT AREA), .000200 Sn ON TAIL OVER .000050 NI, -P: GOLD FLASHED PALLADIUM NICKEL-.000003 Au OVER .000030 PdNi (CONTACT AREA), .000150 Sn ON TAIL OVER .000050 NI, *-STL: SELECTIVE TM/LEAD-.000030 Au (CONTACT AREA), .000200 Sn/Pb ON TAIL OVER .000050 NI. AVAILABLE IN -01 STYLE ONLY
 ROW OPTION: -D: DOUBLE, -S: SINGLE

TABLE 1

LEAD STYLE	"A"	"B"	"C" NO RA REPRESS	"C" WITH RA REPRESS *	"D"	TERMINAL #1	TERMINAL #2
-01	.480 [12.19]					T-1S6-17-X-2	
-02	.530 [13.46]					T-1S6-08-X-2	
-03	.930 [23.62]					T-1S6-11-X-2	
-04		.130 [3.30]	.280 [7.11]	.350 [8.89]	.830 [21.08]	T-1S6-15-X-2	T-1S6-10-X-2
-05		.230 [5.84]	.380 [9.65]	.450 [11.43]	.930 [23.62]	T-1S6-09-X-2	T-1S6-11-X-2



STRAIGHT (SECT "A"- "A")
 (-LL IS SHOWN FOR DIMENSIONAL AND LOCATION PURPOSES.)



- NOTES:
1. TERMINAL PUSHOUT FORCE: 3 lbs.
 2. ASSEMBLE GOLD PLATED END AS SHOWN.
 3. (C) REPRESENTS CRITICAL DIMENSION FOR STATISTICAL PROCESS CONTROL.
 4. TERMINALS TO BE FLUSH TO .010 [.25] BELOW TOP OF SHROUD.
 5. TSS-1XX-04-X-D-RA-XX ASSEMBLIES ARE TO BE PACKAGED IN A PT-1-24-01-40 TUBE WITH TWO TP-13 PLUGS PER TUBE (ALL POSITIONS).
 6. ORIENTATE PINS TO REDUCE THE NUMBER OF BANDOLIERY MARKS IN THE POST AREA. (SEE TABLE 2)

DO NOT SCALE FROM THIS PRINT

PROPRIETARY NOTE

THIS DOCUMENT CONTAINS INFORMATION CONFIDENTIAL AND PROPRIETARY TO SAMTEC INC. AND SHALL NOT BE REPRODUCED OR TRANSMITTED TO OTHER DOCUMENTS OR DISCLOSED TO OTHERS OR USED FOR ANY PURPOSE OTHER THAN THAT FOR WHICH IT WAS OBTAINED WITHOUT THE EXPRESSED WRITTEN CONSENT OF SAMTEC INC.

IN PROCESS VIEW (BEFORE RIGHT ANGLE)

RIGHT ANGLE

(-LA IS SHOWN FOR DIMENSIONAL AND LOCATION PURPOSES.)

MATERIAL: VALOX 420 SE0 OR 553, OR CELANESE 3316
 COLOR: BLACK
 TERMINAL: PHOSPHOR BRONZE, ALLOY No 510, GRADE A, FEDERAL SPEC. QQ-B-750, 3/4 HARD, 95 - 105 KPSI TENSILE.
 MATERIAL THICKNESS: .0250±.0003 [.635±.0076]

samtec

520 PARK EAST BLVD. NEW ALBANY, INDIANA 47150
 PHONE (812) 944-6733 P.O. BOX 1147
 CODE 55322

MADE BY: JORDAN 1-23-90

TSS-1XX-XX-X-X-XX-XX
 SHEET 1 OF 2