

REV. CA

DIMENSIONS ARE IN INCHES		UNLESS OTHERWISE NOTED	TOLERANCES ARE:	TITLE	DWG. NO.
ONE PLACE DECIMALS ± .1 [.3]	TWO PLACE DECIMALS ± .01 [.3]	THREE PLACE DECIMALS ± .005 [.13]	FOUR PLACE DECIMALS ± .0020 [.051]	TERMINAL STRIP DOUBLE SURFACE MOUNT	TSM-XX-XX-XX-XX-XX-XX SHEET 3 OF 3
			ANGLES		
			± 2°		

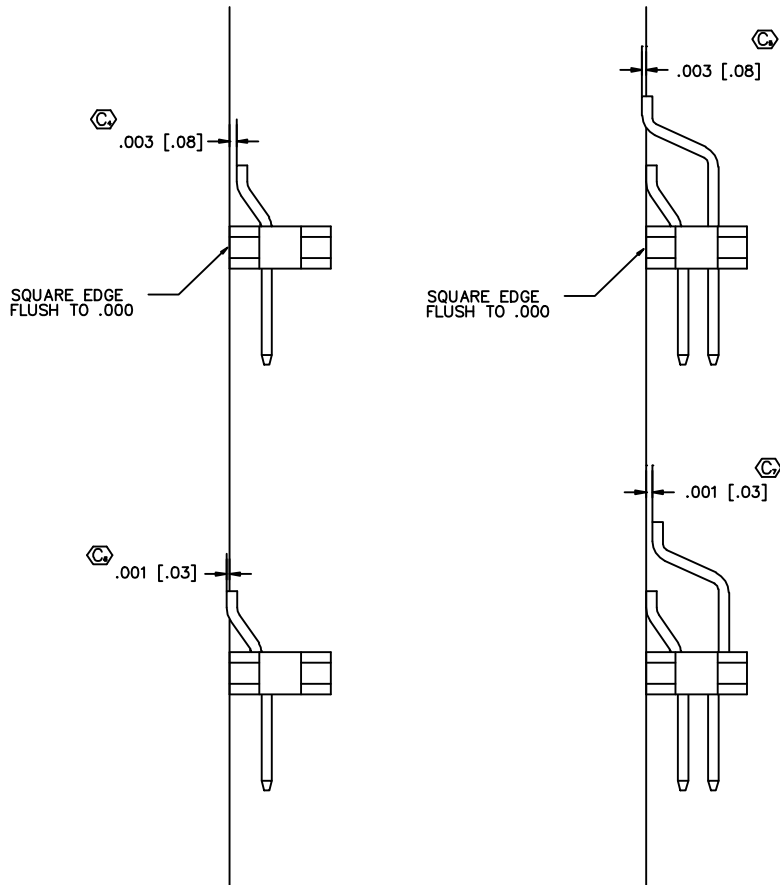
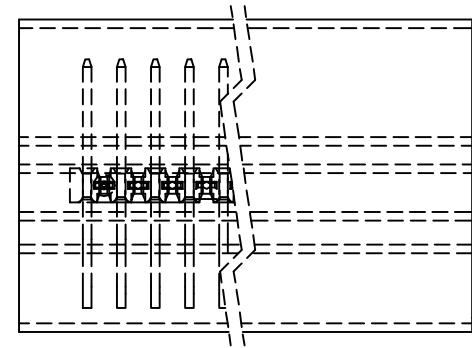
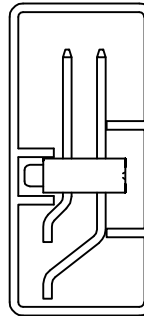


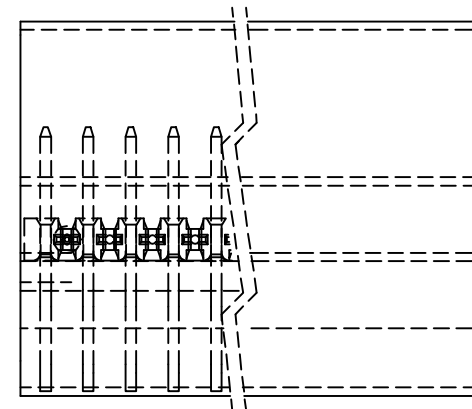
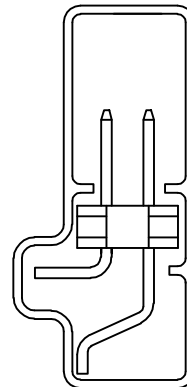
FIG. 7
-DH SURFACEMOUNT DIAGRAM

PROPRIETARY NOTE
THIS DOCUMENT CONTAINS PROPRIETARY INFORMATION OF SAMTEC. IT IS THE PROPERTY OF SAMTEC AND IS TO BE USED ONLY FOR THE PURPOSES SPECIFIED IN THE ORIGINAL ORDER. IT IS NOT TO BE REPRODUCED, COPIED, OR DISTRIBUTED IN ANY MANNER WITHOUT THE WRITTEN PERMISSION OF SAMTEC.

PACKAGE AS SHOWN
SCALE .75



TUBE: PT-TSM001-DH
PLUG: TP-09



-MT OPTION
TUBE: PT-TSM005-DH-MT
PLUG: TP-29

EXISPROD\ASSEMBLY\100
TSM043

samtec

520 PARK EAST BLDG. NEW ALBANY, INDIANA 47150
PHONE (812) 944-8733 P.O. BOX 1147
CODE 68322

DATE BY: BRATCHER 7-27-95

TSM-XX-XX-XX-XX-XX-XX
SHEET 3 OF 3