

DRAWING MADE IN THIRD ANGLE PROJECTION

3

2

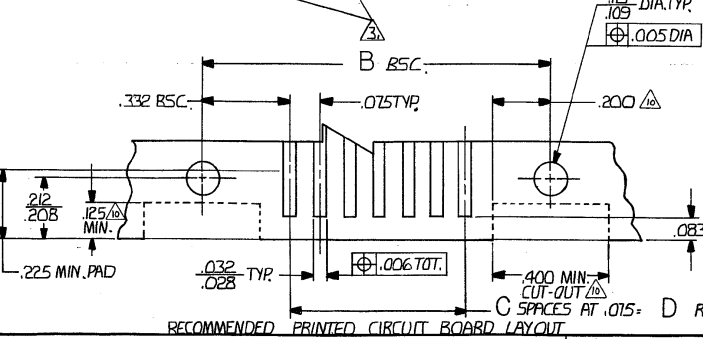
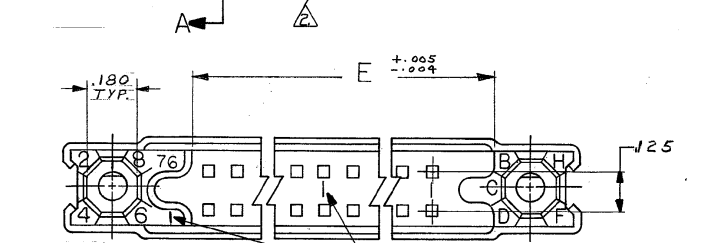
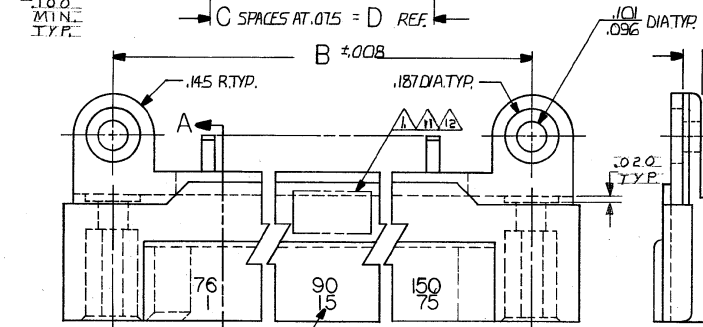
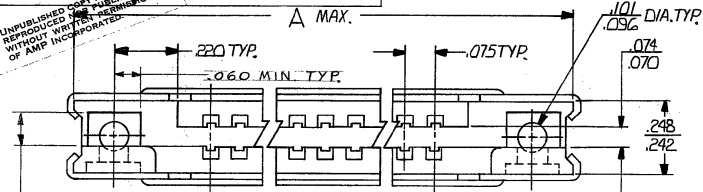
LOG: DF FO

1

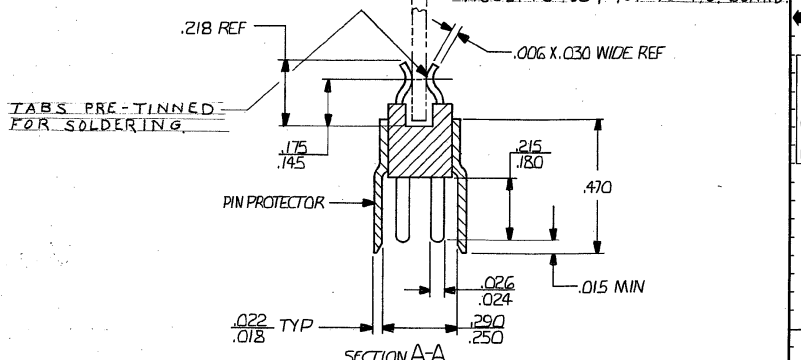
© COPYRIGHT 1977 BY AMP INCORPORATED, HARRISBURG, PA. ALL INTERNATIONAL RIGHTS RESERVED. AMP INCORPORATED PRODUCTS COVERED BY U.S. PATENT AND FOREIGN PATENTS AND/OR PATENTS PENDING.

UNPUBLISHED DOCUMENT REPRODUCED WITHOUT PERMISSION OF AMP INCORPORATED

REV	DATE	DESCRIPTION	DATE	APPROVED
E	08-16-66	NDP0977 2P 1188		
F	REAL-C PER DF-1282	1-89		
G	REV PER 0600-7177-98	JY 7-78		
H	ECO-08-016197	PY 8-08 JW		
J	ECO-08-029265	PY 2-09 DM		
Q		RELEASED WAS 5087-908-2 RW	2-177	
CI		REVISED	5092 m.s.	3-177
A		REVISED	5122 m.s.	3-177
B		REVISED	6191 m.s.	8-79 RP
B1		ADDED 1-7	6239 m.s.	9-10-80 RP
C		REVISED	6541 m.s.	2-26-82 RP
C1		MIL. P/N'S ASSIGNED		4-80 BLK RP
D		REVISED	6734 m.s.	5-80 RP
D1		REVISED	6927 m.s.	10-80 RP



- △ CUSTOMER PART NO. 90133-1, ADDED TO STAMPING.
- △ MILITARY PART NO. 00779, DATE CODE, MUST BE ON SAME SIDE OF PART. TE PART NO AND AMP CAN BE ON OTHER SIDE OF PART IF SPACE IS LIMITED
- △ NUMBERS INDICATING EVERY 5 CAVITIES TO BE MARKED ON SIDE
- △ NUMBERS, .062 HIGH, AND LINES INDICATING EVERY 5 CAVITIES MOLDED OR MARKED, SEE SHEET 20F2
- 4. MUST MEET ALL APPLICABLE REQUIREMENTS OF MIL-C-55302.
- 6. USES KEY 530341-I AND RIVET 530347-1.
- △ HOUSING MATERIAL: DIALLYL PHTHALATE PER MIL-M-A TYPE SDG-F COLOR: BLUE.
- △ CONTACT MATERIAL: BRASS PER MIL-C-55302 PLATED .000050 GOLD. OVER .000050 NICKEL.
- △ PIN PROTECTOR MATERIAL: ALUMINUM PER MIL-C-55302.
- △ OPTIONAL CUT-OUT FOR KEYING AFTER CONNECTOR IS MOUNTED.
- △ MARKING: AMP PART NUMBER AND DATE CODE MARKED THIS AREA.



UNLESS OTHERWISE SPECIFIED DIMENSIONS ARE IN INCHES.		CONTRACT NO.		PART NO.	
TOLERANCES ON: DECIMALS ±.005 ANGLES		DR Robert Weber 1-10-77		AMP INCORPORATED Harrisburg, Pa.	
MATERIAL		CHK R. Williams 2-3-77		NAME BOX CONNECTOR, PIN HEADER, .075 GRID.	
FINISH		APPD R. Williams 2-3-77		SIZE CODE IDENT NO DRAWING NO	
OTHER APPD		BSGN APPD		C 00779 530785	
		OTHER APPD		SCALE 4-1 SHEET 1 OF 2	

CUSTOMER DRAWING

AMP 1471-6 (7-73)

DRAWING MADE IN THIRD ANGLE PROJECTION

3

2

1

LOC DF FO

© COPYRIGHT 1979 BY AMP INCORPORATED, HARRISBURG, PA.  
ALL INTERNATIONAL RIGHTS RESERVED. AMP INCORPORATED PRODUCTS  
COVERED BY U. S. AND FOREIGN PATENTS AND/OR PATENTS PENDING.

REVISIONS			
P	F	ZONE/LTR	DESCRIPTION
			SEE SHEET 1

DATE APPROVED

SEE SHEET 1

M55302/23-24	44/1	▲	3.575	3.300	44	3.965	4.267	90	1-530785-7
M55302/23-16	6/1	▲	.575	.300	4	.965	1.267	10	1-530785-6
M55302/23-17	11/1	▲	.950	.675	9	1.340	1.642	20	1- -5
M55302/23-18	14/1	▲	1.325	1.050	14	1.715	2.017	30	1- -4
M55302/23-19	21/1	▲	1.700	1.425	19	2.090	2.392	40	1- -3
M55302/23-20	26/1	▲	2.075	1.800	24	2.465	2.767	50	1- -2
M55302/23-21	31/1	▲	2.450	2.175	29	2.840	3.142	60	1- -1
M55302/23-22	36/1	▲	2.825	2.550	34	3.215	3.517	70	1- -0
M55302/23-23	41/1	▲	3.200	2.925	39	3.590	3.892	80	-9
M55302/23-25	51/1	▲	3.950	3.675	49	4.340	4.642	100	-8
M55302/23-26	56/1	▲	4.325	4.050	54	4.715	5.017	110	-7
M55302/23-27	61/1	▲	4.700	4.425	59	5.090	5.392	120	-6
M55302/23-29	81/1	▲	6.200	5.925	79	6.590	6.892	160	-5
M55302/23-30	91/1	▲	6.950	6.675	89	7.340	7.642	180	-4
M55302/23-28	74/1	▲	3.575	3.300	44	3.965	4.267	90	-3
M55302/23-28	74/1	▲	5.825	5.550	74	6.215	6.517	150	-2
M55302/23-28	74/1	▲	5.825	5.550	74	6.215	6.517	150	-530785-1

OBS

MIL-C-55302 PART NUMBER	CONTACT IDENT. NO.	NOTES	E	D	C	B	A	No. OF CONTACTS.	PART NO.
		UNLESS OTHERWISE SPECIFIED DIMENSIONS ARE IN INCHES. TOLERANCES ON: DECIMALS ± ANGLES ±							
MATERIAL	FINISH	CONTRACT NO.	AMP INCORPORATED Harrisburg, Pa.						
		DR <i>M. Smick</i> 8-13-79	NAME BOX CONNECTOR, PIN HEADER, .075 GRID.						
		CHK <i>R. Duntz</i> 1/1/79	APPD <i>R. Duntz</i> 1/21/79						
		DSGN APPD <i>R. Duntz</i> 1/21/79	SIZE	CODE IDENT NO	DRAWING NO	REV			
		OTHER APPD	CJ	00779	530785	J			
			SCALE #	SHEET 2 OF 2					

CUSTOMER DRAWING