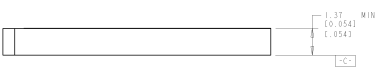
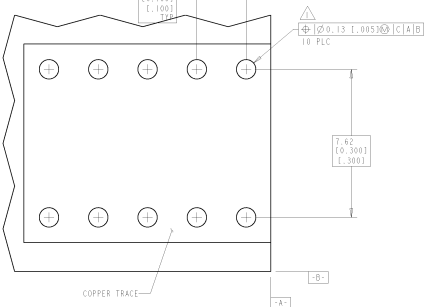
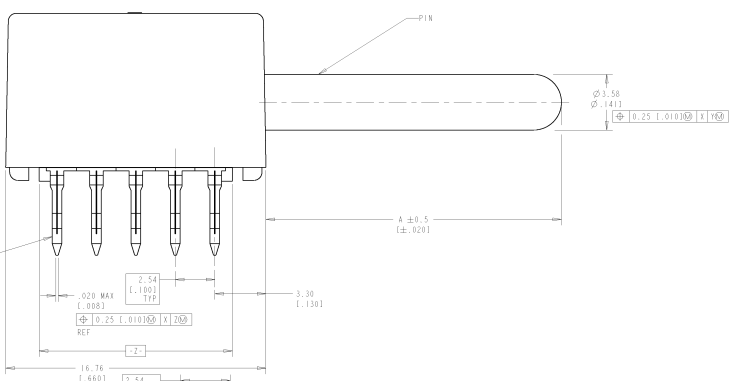
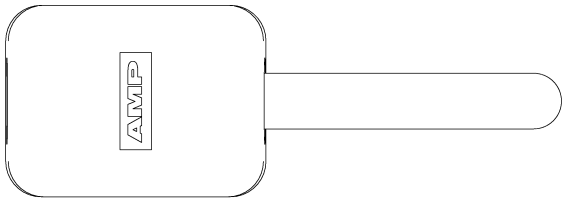
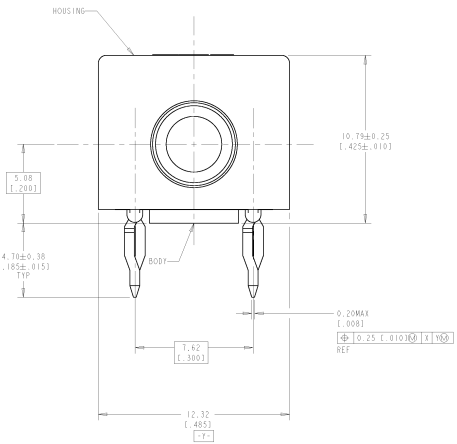


REV	DATE	DESCRIPTION	BY	CHK	APP
AD	47				
D		RELEASED PER PPR 8009424-0001	DAWNA	DAS	DAP
A		REVISED PER Q018-0005-00	DAWNA	DAS	DAP
B		REVISED PER Q018-0007-00	DAWNA	DAS	DAP
C		REV PER 0012-0576-04	DAWNA	BO	AT



RECOMMENDED PC BOARD LAYOUT



- △ DRILLED HOLE DIAMETER: 1.1548.03 I.04534.0011
 Cu THICKNESS: 0.05-0.06 (0.001-.003)
 Sn THICKNESS: 8um MIN (0.00030)
- △ FINISHED HOLE AFTER PLATING: 0.94-1.09 (0.037-.043)
- △ HOUSING: THERMOPLASTIC BLACK
- △ BODY: ZINC ALLOY
- △ ACTION PIN CONTACT: BRONZE ALLOY
- △ PIN: BRASS ALLOY
- △ BODY: 5.08um (0.00020) MIN SILVER OVER 2.54um (0.00101) MIN COPPER
- △ ACTION PIN CONTACT: 5.08um (0.00020) MIN SILVER OVER 1.27um (0.00050) MIN NICKEL
- △ PIN FINISH: 1.27um (0.000050) GOLD OVER 1.27um (0.00050) MIN NICKEL.
- △ PIN FINISH: 5.08um (0.000200) SILVER OVER 1.27um (0.00050) MIN NICKEL.

△	19.05	796137-2
△	19.05	796137-1
△	A	PART NUMBER

MANUFACTURED BY: TERRY ELECTRONICS CORPORATION PART NO.: 796137-1 DATE: 1985-05-01		CHECKED BY: [] DATE: []		AMP Incorporated Harrisburg, PA 17105-8800	
MATERIAL: [] FINISH: []		ORDER NO.: [] ORDER PART NO.: [] ORDER QUANTITY: []		PART NO.: 796137-1 REV: A	
CUSTOMER DRAWING: []		DATE: 1985-05-01		DRAWN BY: [] CHECKED BY: []	