

4

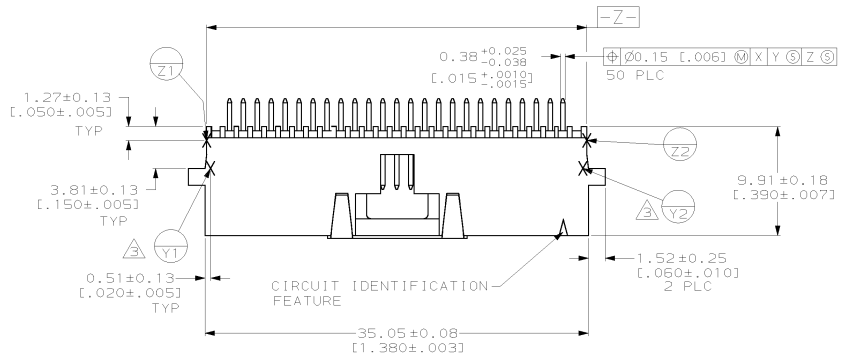
3

2

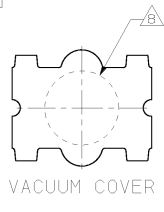
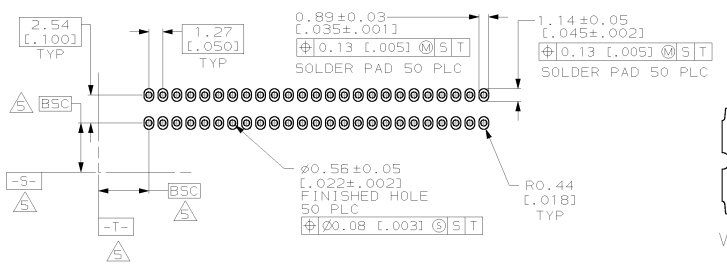
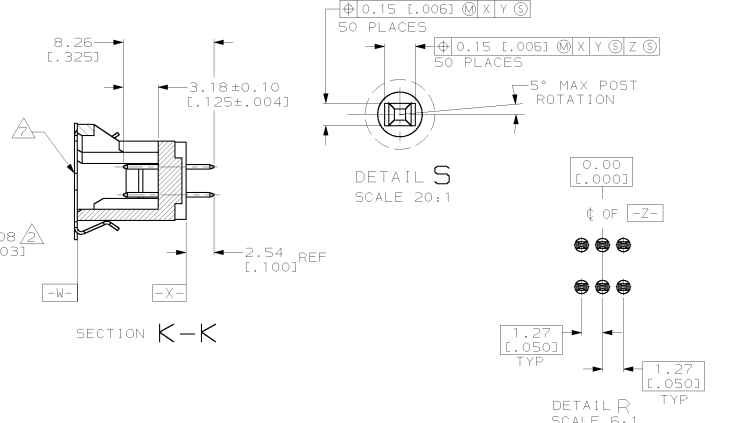
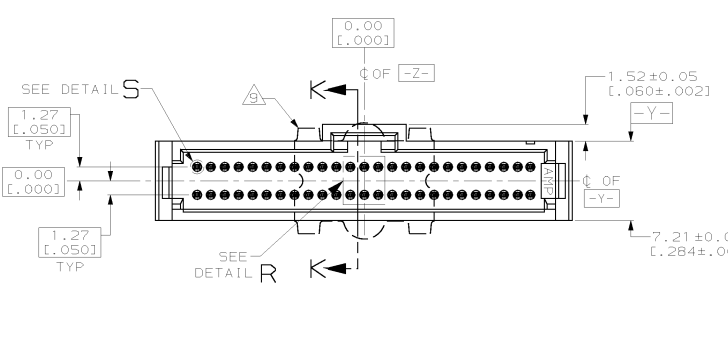
1

THIS DRAWING IS UNCLASSIFIED  
 RELEASED FOR PUBLICATION  
 BY AMP INCORPORATED. ALL RIGHTS RESERVED.

REV	DATE	BY	APP'D	DESCRIPTION
AD	00	B		REV PER 0630-0573-04
				180CT04 JR DS



- △ CONTACT AREA PLATED WITH 0.000762 (.000030) MIN GOLD; SOLDER TAILS PLATED WITH 0.00381 (.000150) MIN TIN-LEAD, ALL OVER 0.00127 (.000050) MIN NICKEL.
- △ DIMENSION APPLIES AT BASE OF SHROUD.
- △ (Z1) (Z2) ARE LOCATED THE SAME AS (Y1) (Y2) EXCEPT ON OPPOSITE SIDE OF HOUSING.
- 4. PACKAGED IN TAPE & REEL PER EIA-481 SPECIFICATIONS. SEE CHART FOR TAPE WIDTHS.
- △ DATUMS AND BASIC DIMENSIONS ESTABLISHED BY CUSTOMER.
- △ HOUSING, THERMOPLASTIC, COLOR-BLACK.
- △ POST, COPPER ALLOY.
- △ VACUUM COVER, ALUMINUM.
- △ VACUUM COVER DESIGNED FOR 4.0 (.160) DIA. NOZZLE. VACUUM COVER TO BE REMOVED AFTER SOLDERING.
- △ 6.75 (.265) MIN TARGET AREA FOR VACUUM PICK-UP.
- △ VACUUM COVER SHOWN IN PHANTOM LINE.
- △ CONTACT AREA PLATED WITH 0.000762 (.000030) MIN GOLD; SOLDER TAILS PLATED WITH 0.00381 (.000150) MIN TIN, ALL OVER 0.00127 (.000050) MIN NICKEL.



72 mm	50	10	5-147380-1
72 mm	50		147380-1
TAPE WIDTH	NO OF POS		PART NUMBER

THIS DRAWING IS A CONTROLLED DOCUMENT

DRW	BL HAYMSKER	17JAN00
CHK	J MOSIER	17JAN00
APP	J MOSIER	17JAN00
DATE		
PRODUCT SPEC	108-1093	
APPLICATION SPEC		
HEIGHT	114-25031	
WEIGHT		
CUSTOMER DRAWINGS		

**AMP** AMP Incorporated  
Harrisburg, PA 17105-3608

HEADER ASSEMBLY, VERTICAL, DOUBLE ROW,  
System 50, AMPMODU®

SCALE: 10:1 SHEET 1 OF 1 REV B