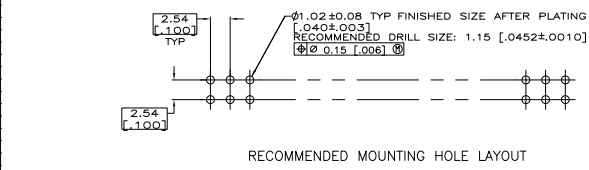
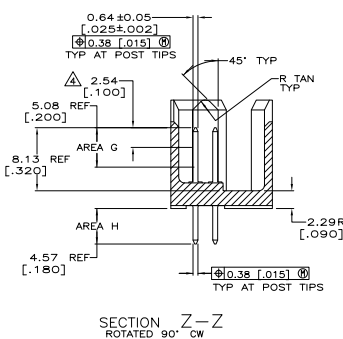
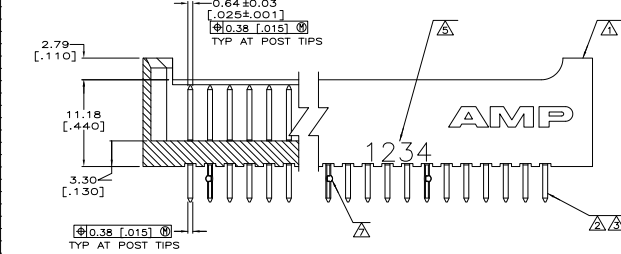
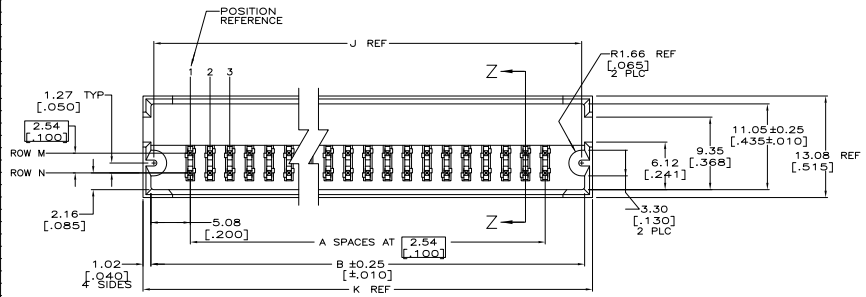


REV	DATE	BY	CHK	DESCRIPTION
N2	ECO-07-01663	MB	JD	
N3	REVISED PER ECO-10-00043	MB	JK	



- △ HOUSING: FLAME RETARDANT THERMOPLASTIC; COLOR: BLACK.
- △ POST: COPPER ALLOY.
- △ POST FINISH: 0.00038 [0.00015] GOLD IN AREA G, 0.00254-0.00508 [0.00100-0.00200] BRIGHT TIN-LEAD IN AREA H, ALL OVER 0.00127 [0.00050] NICKEL.
- △ POINT OF MEASUREMENT FOR PLATING THICKNESS.
- △ RECESSED DATE CODE.
- △ CSA LOGO RECESS STAMPED ON HOUSING.
- △ BOARD RETENTION FEATURE WHERE INDICATED.
- △ POST FINISH: 0.00038 [0.00015] GOLD IN AREA G, 0.00254-0.00508 [0.00100-0.00200] MATTE TIN IN AREA H, ALL OVER 0.00127 [0.00050] NICKEL.
- △ ROHS 2002/95/EC COMPLIANT
- △ OBSOLETE PARTS: OBSOLETE CIS STREAMLINING PER D.RENAUD/D.SINISI

△ OBSOLETE	2,23,67,99	2,23,67,99	263,65	260,88	261,62	99	200	△-534257-9
△ OBSOLETE	1,2,5,6	1,2,5,6	24,89	22,10	22,86	5	12	△-534257-8
△ OBSOLETE	1,2,6,7,11,12	1,2,6,7,11,12	40,13	37,34	38,10	11	24	△-534257-9
△ OBSOLETE	1,2,12,13,24,25	1,2,12,13,24,25	1,3,15	90,36	71,15	24	50	△-534257-9
△ OBSOLETE	8, 13, 18	8, 13, 18	2,3,15	90,36	71,15	24	50	△-534257-5
△ OBSOLETE	3, 4, 5	3, 4, 5	29,97	27,18	27,94	7	16	△-534257-4
△ OBSOLETE	2, 24, 47	2, 24, 47	13,17	128,78	129,54	47	96	△-534257-3
△ OBSOLETE	2, 18, 34	2, 18, 34	98,55	95,76	96,52	34	70	△-534257-2
△ OBSOLETE	2, 15, 29	2, 15, 29	83,81	83,09	83,82	29	60	△-534257-1
△ OBSOLETE	5, 10, 15	5, 10, 15	33,37	33,68	33,92	19	40	△-534257-0
△ OBSOLETE	4, 9, 14	4, 9, 14	2,150	2,070	2,100	17	36	△-534257-9
△ OBSOLETE	3, 8, 13	3, 8, 13	1,860	1,770	1,800	14	30	△-534257-8
△ OBSOLETE	5, 6, 7	5, 6, 7	1,180	1,170	1,160	11	24	△-534257-7
△ OBSOLETE	4, 5, 6	4, 5, 6	1,360	1,270	1,300	9	20	△-534257-6
△ OBSOLETE	2, 3, 4	2, 3, 4	1,980	1,870	1,900	5	12	△-534257-5
△ OBSOLETE	2, 27, 53, 79	2, 27, 53, 79	1,300	1,270	1,300	79	160	△-534257-4
△ OBSOLETE	2, 20, 40, 59	2, 20, 40, 59	1,020	1,000	1,000	59	120	△-534257-3
△ OBSOLETE	2, 17, 33, 49	2, 17, 33, 49	1,300	1,270	1,300	49	100	△-534257-2
△ OBSOLETE	2, 20, 39	2, 20, 39	1,120	1,040	1,070	39	80	△-534257-1
△ OBSOLETE	2,23,67,99	2,23,67,99	263,65	260,88	261,62	99	200	△-534257-9
△ OBSOLETE	1,2,5,6	1,2,5,6	24,89	22,10	22,86	5	12	△-534257-8
△ OBSOLETE	1,2,6,7,11,12	1,2,6,7,11,12	40,13	37,34	38,10	11	24	△-534257-9
△ OBSOLETE	1,2,12,13,24,25	1,2,12,13,24,25	1,3,15	90,36	71,15	24	50	△-534257-9
△ OBSOLETE	8, 13, 18	8, 13, 18	2,3,15	90,36	71,15	24	50	△-534257-5
△ OBSOLETE	3, 4, 5	3, 4, 5	29,97	27,18	27,94	7	16	△-534257-4
△ OBSOLETE	2, 24, 47	2, 24, 47	13,17	128,78	129,54	47	96	△-534257-3
△ OBSOLETE	2, 18, 34	2, 18, 34	98,55	95,76	96,52	34	70	△-534257-2
△ OBSOLETE	2, 15, 29	2, 15, 29	83,81	83,09	83,82	29	60	△-534257-1
△ OBSOLETE	5, 10, 15	5, 10, 15	33,37	33,68	33,92	19	40	△-534257-0
△ OBSOLETE	4, 9, 14	4, 9, 14	2,150	2,070	2,100	17	36	△-534257-9
△ OBSOLETE	3, 8, 13	3, 8, 13	1,860	1,770	1,800	14	30	△-534257-8
△ OBSOLETE	5, 6, 7	5, 6, 7	1,180	1,170	1,160	11	24	△-534257-7
△ OBSOLETE	4, 5, 6	4, 5, 6	1,360	1,270	1,300	9	20	△-534257-6
△ OBSOLETE	2, 3, 4	2, 3, 4	1,980	1,870	1,900	5	12	△-534257-5
△ OBSOLETE	2, 27, 53, 79	2, 27, 53, 79	1,300	1,270	1,300	79	160	△-534257-4
△ OBSOLETE	2, 20, 40, 59	2, 20, 40, 59	1,020	1,000	1,000	59	120	△-534257-3
△ OBSOLETE	2, 17, 33, 49	2, 17, 33, 49	1,300	1,270	1,300	49	100	△-534257-2
△ OBSOLETE	2, 20, 39	2, 20, 39	1,120	1,040	1,070	39	80	△-534257-1

FINISH	BOARD RETENTION LOCATION	K	J	B	A	NO OF PINS	PART NUMBER

THIS DRAWING IS A CONTROLLED DOCUMENT. © 2008 BY TTI ELECTRONICS CORPORATION. ALL RIGHTS RESERVED.

DATE: 11/15/07
 DRAWN BY: J. BARBER
 CHECKED BY: J. BARBER
 APPROVED BY: J. BARBER

DESCRIPTION: HEADER ASSY, MOD II, DOUBLE ROW, 2.54 X 2.54 [100 X 100] 0.64 [025] SQUARE POST, BOARD RETENTION FEATURE

SIZE: 4.1
 SHEET: 1 OF 1
 REV: N3