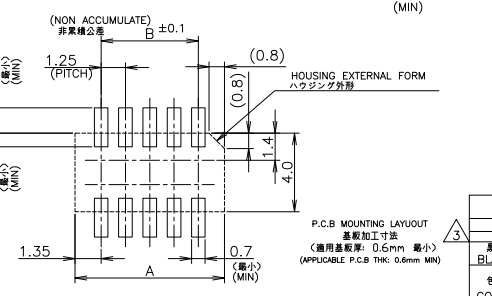
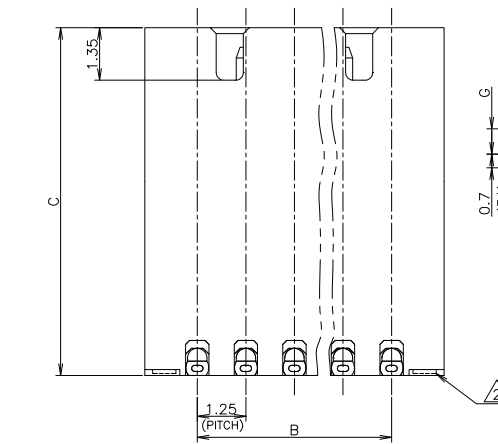
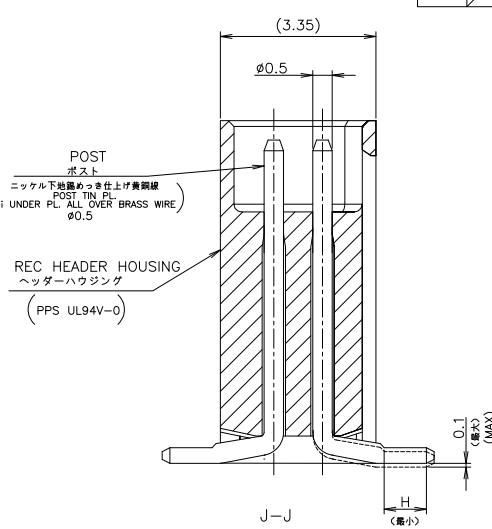
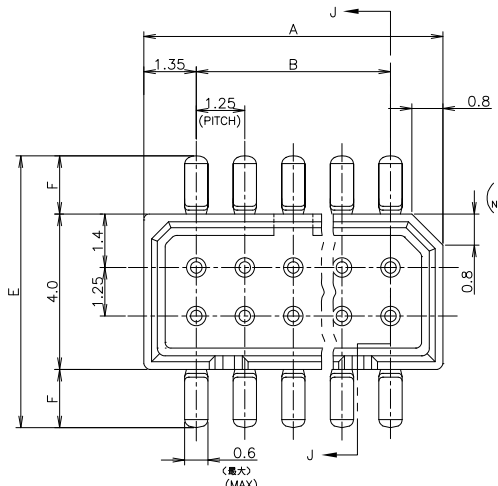


THIS DRAWING IS UNPUBLISHED. RELEASED FOR PUBLICATION NOV. 1990.  
 COPYRIGHT 1990 BY TYCO ELECTRONICS CORPORATION. ALL INTERNATIONAL RIGHTS RESERVED.

| LOC | DIST | REVISIONS |     |                           |         |     |      |
|-----|------|-----------|-----|---------------------------|---------|-----|------|
|     |      | P         | LTR | DESCRIPTION               | DATE    | DWN | APVD |
|     |      | C         |     | REVISED ECR-09-014864     | 01JUL09 | T.T | T.M  |
|     |      | C1        |     | REVISED PER ECO-10-000443 | 25JAN10 | KK  | HMR  |

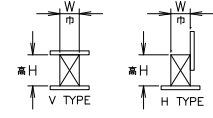


1 嵌合相手製品型番及び、嵌合時寸法は MATING COUNTER PART NUMBER AND DIMENSIONS 表-1 参照のこと。 AFTER MATING: SEE TABLE 1.

| DIP TYPE             | POST HDR ASSY | DIMENSIONS AFTER MATING: WIDE(mm) x HEIGHT(mm) |                       |                       |
|----------------------|---------------|--|-----------------------|-----------------------|
|                      |               | WITHOUT BOSS                                   | WITH BOSS             |                       |
| V TYPE<br>X-176870-X | RECE HDR ASSY | 6.85   | 9.35                  | 9.85                  |
|                      |               | 5.6 (巾W) x 8.0 (高さH)                           | 7.0 (巾W) x 10.5 (高さH) | 7.0 (巾W) x 11.0 (高さH) |
| H TYPE<br>X-176892-X | RECE HDR ASSY | 6.85   | 9.35                  | 9.85                  |
|                      |               | 5.6 (巾W) x 8.8 (高さH)                           | 7.0 (巾W) x 11.3 (高さH) | 7.0 (巾W) x 11.8 (高さH) |
| SMT TYPE             | POST HDR ASSY | 6.85   | 9.35                  | 9.85                  |
|                      |               | 5.6 (巾W) x 8.0 (高さH)                           | 7.0 (巾W) x 10.5 (高さH) | 7.0 (巾W) x 11.0 (高さH) |
| SMT TYPE             | POST HDR ASSY | 6.85   | 9.35                  | 9.85                  |
|                      |               | 5.6 (巾W) x 9.9 (高さH)                           | 7.0 (巾W) x 12.4 (高さH) | 7.0 (巾W) x 12.9 (高さH) |

TABLE 1 SMT TYPEは、巾及び高さ寸法に SMT TYPE INCLUDE DIMENSIONS 半田付タイプ部寸法を含みます。 OF SOLDER DIP TIME.

△ 基板位置決め用ボス切断。 CUT MAKE OF MOUNTING BOSS.  
 △ OBSOLETE PARTS: OBSOLETE CIS STREAMLINING PER D.RENAUD/D.SINISI



|       | 6.85       | 17.00 | 17.70 | 26  | 8-   | -6    |
|-------|------------|-------|-------|-----|------|-------|
| 長さ    | 1.0        | 2.0   | 1.5   | 7.0 | 9.35 | 12.50 |
| 色別    | H          | G     | F     | E   | C    | B     |
| COLOR |            |       |       |     |      |       |
| 寸法    | 17.00      | 17.70 | 26    | 8-  | -6   |       |
| 位置    | 2          | 5     | 22    | 5   | 2    |       |
| 型番    | 2-178041-4 |       |       |     |      |       |

THIS DRAWING IS A CONTROLLED DOCUMENT.

|                        |   |                          |  |
|------------------------|---|--------------------------|--|
| DIMENSIONS: 単位: 概 mm   | TOLERANCES UNLESS OTHERWISE SPECIFIED: 一般公差 | DWN S.KANEKI 06NOV1990   | NAME Tyco Electronics                      |
| 0-PLC ±                | 1-PLC ±                                     | CHK J.TANIGAWA 06NOV1990 | TYCO Kawasaki, Japan                       |
| 2-PLC ±                | 3-PLC ±                                     | APVD S.KIKUCHI 06NOV1990 | 製品規格 108-5246                              |
| 4-PLC ±                | 5-PLC ±                                     | APPLICATION SPEC         | 1.25 F-P CONNECTOR, B-TO-B                 |
| ANGLES ±               | FINISH 仕上                                   | 取付適用規格                   | DOUBLE ROW POST HDR ASSY H TYPE            |
| MATERIAL AS SHOWN 図中参照 | FINISH 仕上                                   | WEIGHT                   | WITHOUT BOSS -IMPROVED TYPE                |
|                        |   | CUSTOMER DRAWING         | SIZE A3 CAGE CODE 00779 DRAWING NO. 178041 |