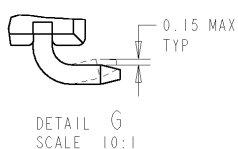
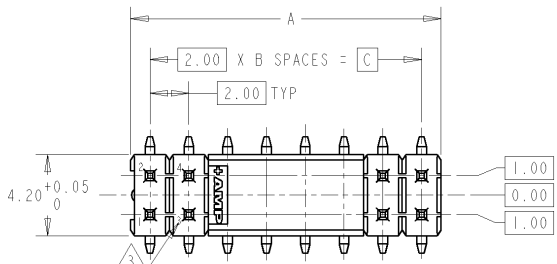
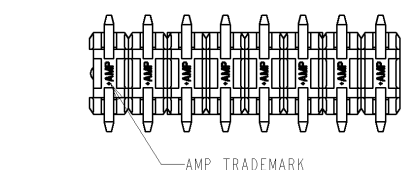
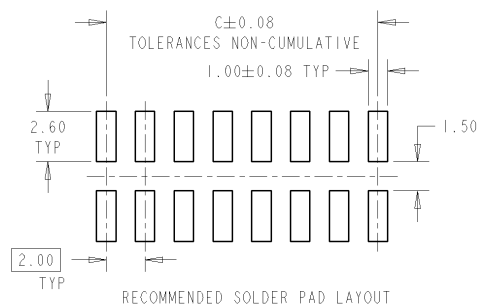
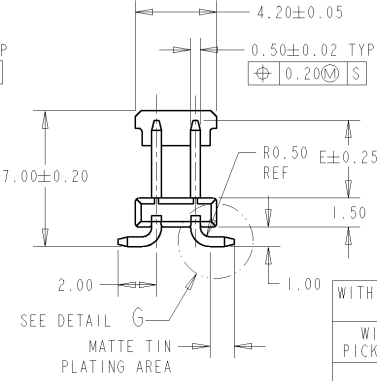
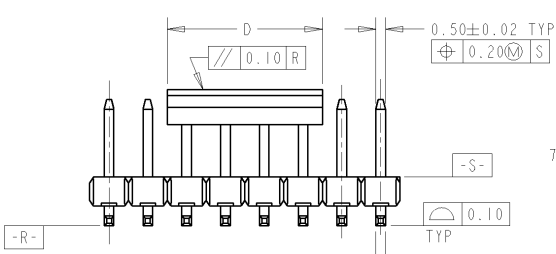


THIS DRAWING IS UNPUBLISHED. RELEASED FOR PUBLICATION .19
 COPYRIGHT 19 BY AMP INCORPORATED. ALL RIGHTS RESERVED.

LOC	DIST	REVISIONS					
DY	-	F	LTR	DESCRIPTION	DATE	OWN	APVD
		04		REVISED ECR-08-009791	17APR2008	YKW	LSF



- NOTE:
- 1 MATERIAL:
HOUSING: HIGH TEMPERATURE THERMOPLASTIC, UL94 V-0
POST: PHOSPHOR BRONZE
 - 2 FINISH:
CONTACT AREA: 0.08um MIN Au OVER 0.76um MIN
PALLADIUM-NICKEL OVER 1.27um MIN NICKEL ALL OVER
POST TINE: 2.54um MIN MATTE TIN OVER 1.27um MIN NICKEL
 - 3 POST POSITION NUMBERS FOR REFERENCE ONLY



REMARKS	PACKAGING	E	D	C	B	A	POS.	PART NO.
WITH PICK-UP CAP	TAPE & REEL	4	8	18	9	20	20	5084476-9
WITHOUT PICK-UP CAP	TAPE & REEL	-	10	5	12	12		5084476-8
	TAPE & REEL	8						5084476-7
WITH PICK-UP CAP	TAPE & REEL	8	14	7	16	16		5084476-3
	TAPE & REEL	6	4	2	6	6		5084476-2
	TAPE & REEL	4	2	1	4	4		5084476-1

<small>THIS DRAWING IS A CONTROLLED DOCUMENT FOR AMP INCORPORATED IT IS SUBJECT TO CHANGE AND THE ORIGINAL DRAWING OR ORGANIZATION SHOULD BE CONTACTED FOR THE LATEST REVISION.</small>		DWN 28MAR2005 WY LEE CHR VINCENT TAN APVD SF LEONG	Tyco Electronics Tyco Electronics Corporation Singapore
DIMENSIONS: mm 	TOLERANCES UNLESS OTHERWISE SPECIFIED: 0 PLC ± 1 PLC ±0.20 2 PLC ±0.25 3 PLC ±0.30 4 PLC ±0.20 ANGLES ±3°	PRODUCT SPEC 108- APPLICATION SPEC 114- WEIGHT - CUSTOMER DRAWING	NAME HEADER ASSY, AMPMODU 2mm, VERTICAL, SMT WITH OPTIONAL PICK-UP CAP SIZE A3 CAGE CODE 00779 DRAWING NO. C-5084476 SCALE 5:1 SHEET 1 OF 1 REV 04