

4

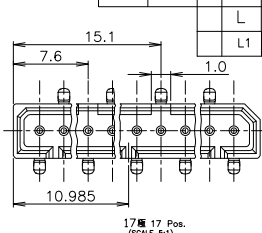
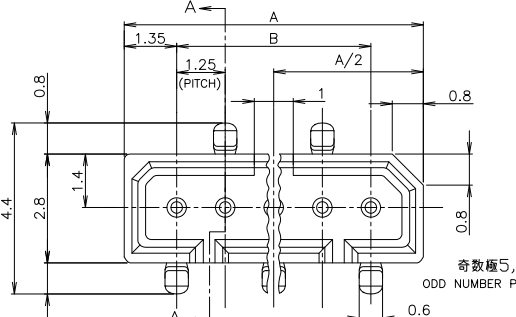
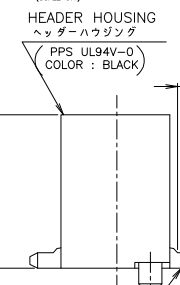
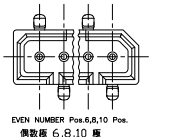
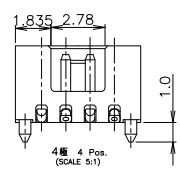
3

2

1

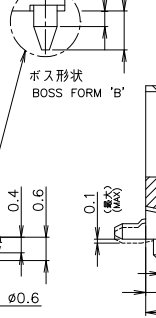
THIS DRAWING IS UNPUBLISHED. RELEASED FOR PUBLICATION  
 COPYRIGHT BY TYCO ELECTRONICS CORPORATION. ALL RIGHTS RESERVED.

LOC	DIST	REVISIONS			
P	LTR	DESCRIPTION	DATE	DWN	APVD
L		REVISED FJBO-0267-03	09MAY03		T.T
L1		REV PER ECO-10-000443	18JAN10		KK AEG



奇数ピン 5,7 極  
 ODD NUMBER Pos. 5,7 Pos.

ボス形状 BOSS FORM 'B'



ボス形状 BOSS FORM 'A'

5 極以上 10 極以下  
 5 Pos. AND MORE, 10 Pos. AND LESS

SECT A-A

注記 1 嵌合相手製品型番及び 嵌合時寸法は MATING COUNTER PART NUMBER AND DIMENSIONS 表-1 参照のこと。 AFTER MATING: SEE TABLE 1.  
 嵌合時寸法: 巾 (mm) x 高さ (mm)  
 DIMENSIONS AFTER MATING: WIDTH (mm) x HEIGHT (mm)

嵌合相手製品 MATING COUNTER PART NO.	POST HDR ASSY	SMT TYPE	
		X-174820-X ボス付 WITH BOSS	ハウジング 高さ C寸法 Housing Height C dimension
V TYPE X-174633-X	4.4(巾) x 5.0(高H)	4.4(巾) x 7.0(高H)	
H TYPE X-174634-X	4.4(巾) x 5.0(高H)	4.4(巾) x 7.0(高H)	
ボス無 WITHOUT BOSS ボス付 WITH BOSS	X-174902-X X-174637-X	4.4(巾) x 5.0(高H)	4.4(巾) x 7.0(高H)
ボス無 WITHOUT BOSS ボス付 WITH BOSS	X-174903-X X-174638-X	4.4(巾) x 5.8(高H)	4.4(巾) x 7.8(高H)

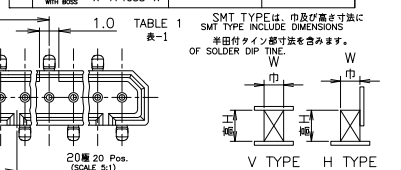
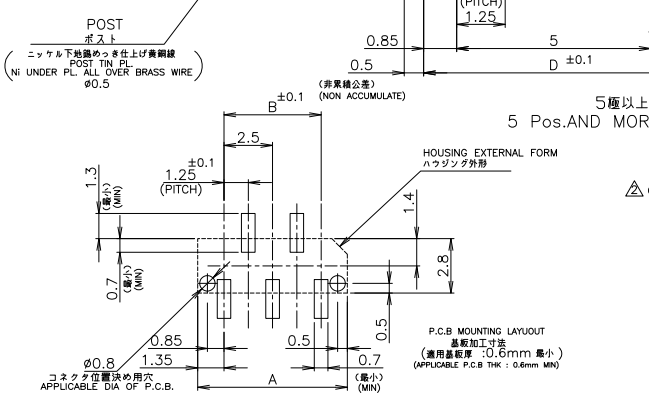


TABLE 1 SMT TYPEは、巾及び高さ寸法に  
 SMT TYPE INCLUDE DIMENSIONS  
 半田付ケイン部寸法を含みます。  
 OF SOLDER DIP TIME.

寸法	25.45	23.75	26.45	20	8-	0-
寸法	21.70	20.00	22.70	17	7-	7-
'A'	10.45	5.95	8.75	11.45	8	6-
'B'	12.95	11.25	13.95	10	4-	0-
'A'	10.45	8.75	11.45	8	3-	8-
'A'	9.20	7.50	10.20	7	3-	7-
'A'	7.95	6.25	8.95	6	3-	6-
'A'	6.70	5.00	7.70	5	3-	5-
'B'	5.45	3.95	3.75	6.45	4	3-174820-4

△ OBSOLETE PARTS: OBSOLETE CIS STREAMLINING PER D.RENAUD/D.SINISI



THIS DRAWING IS A CONTROLLED DOCUMENT.

DIMENSIONS: 単位: 寸 規 MM	TOLERANCES UNLESS OTHERWISE SPECIFIED: 一般公差
<ul style="list-style-type: none"> <li>φ-PLC ±</li> <li>1-PLC ±</li> <li>2-PLC ±</li> <li>3-PLC ±</li> <li>4-PLC ±</li> <li>ANGLES ±</li> </ul>	<ul style="list-style-type: none"> <li>φ-PLC ±</li> <li>1-PLC ±0.2</li> <li>2-PLC ±0.3</li> <li>3-PLC ±0.3</li> <li>4-PLC ±</li> <li>ANGLES ±</li> </ul>
MATERIAL 材料 AS SHOWN 図中参照	FINISH 仕上 AS SHOWN 図中参照

THIS DRAWING IS A CONTROLLED DOCUMENT.

DWN S.KANEKI 14SEP92	tyco Electronics Tyco Electronics AMP K.K. Kawasaki, Japan
CHK J.TANIGAWA 14SEP92	
APVD S.KUBOURCHI 17OCT92	
PRODUCT SPEC 製品規格 108-5246	
APPLICATION SPEC 取付適用規格	
SIZE A3	1.25 FP CONNECTOR (B-TO-B) SINGLE ROW POST HDR ASS'Y SMT TYPE WITH BOSS
CAGE CODE 00779	DRAWING NO. 174820
WEIGHT	RESTRICTED TO
CUSTOMER DRAWING	SCALE 尺度 10:1 SHEET 1 OF 1 REV L1

AMP 1470-19 REV 31MAR2000

L:\EN22\_CadData\AutoCAD\fj014986\_tsuzaki\POOL\C-174820.dwg