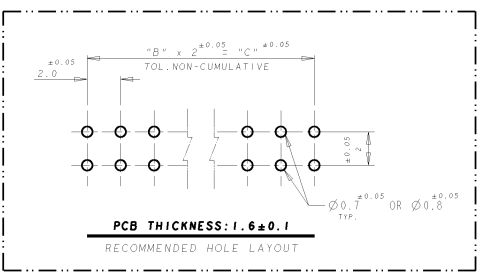
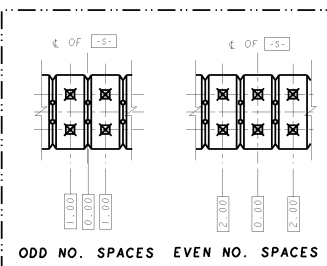
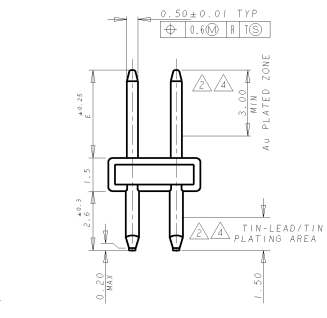
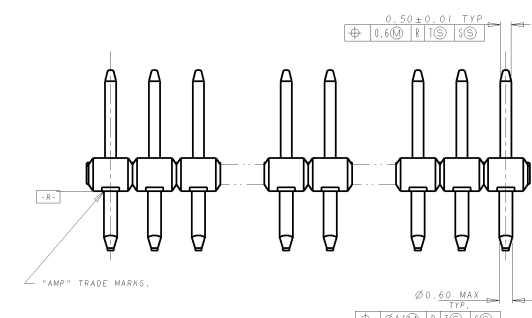
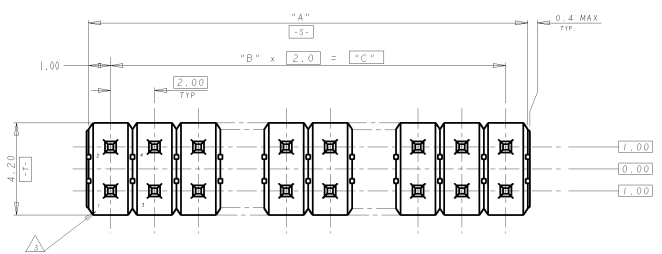


THIS DRAWING IS UNPUBLISHED. RELEASED FOR PUBLICATION BY AMP INCORPORATED. ALL RIGHTS RESERVED.

REV. NO.	DATE	DESCRIPTION	BY	CHKD	APPROV
01		REVISED ECR-06-029668			

NOTES:  
 MATERIAL HOUSING: THERMOPLASTIC, UL 94V-0. POST : BRASS  
 FINISH CONTACT AREA: "D" MIN Au ON NICKEL 0.0013 MIN ALL OVER POST TINE: 0.002 MIN MATTE TIN  
 POST POSITION NUMBERS FOR REFERENCE ONLY.



FINISH	PIN OMITTED	"E"	"D"	"C"	"B" SPACES	"A"	POS	P/N
NIL	4.00	0.0002	4	2	8	6	5	-8
17	4.00	0.00076	24	12	26	26	5	-7
9, 10	5.00	0.00076	24	12	26	26	5	-6
1, 14	0.00076	14	7	16	16	16	5	-5
1, 12	0.00076	10	5	12	12	12	5	-4
NIL	0.00076				2	2	5	-3
25	0.00076	48	24	50	50	50	5	-2
25	0.0002	48	24	50	50	50	4	-8
		44	23	48	48	48	4	-7
		44	22	46	46	46	4	-6
		42	21	44	44	44	4	-5
	0.00076	34	17	36	36	36	4	-1
		48	24	50	50	50	3	-9
		42	21	44	44	44	3	-6
		38	19	40	40	40	3	-4
	0.0002	34	17	36	36	36	3	-2
		28	14	30	30	30	2	-9
		22	11	24	24	24	2	-6
		20	10	22	22	22	2	-5
		18	9	20	20	20	2	-4
		16	8	18	18	18	2	-3
		14	7	16	16	16	2	-2
		12	6	14	14	14	2	-1
		10	5	12	12	12	2	-0
		8	4	10	10	10	1	-9
		6	3	8	8	8	1	-8
		4	2	6	6	6	1	-7
		2	1	4	4	4	1	-6
	0.00076	30	15	32	32	32	1	-5
		28	14	30	30	30	1	-4
		26	13	28	28	28	1	-3
		22	11	24	24	24	1	-1
		20	10	22	22	22	1	-0
		18	9	20	20	20	1	-9
		16	8	18	18	18	1	-8
		14	7	16	16	16	1	-7
		12	6	14	14	14	1	-6
		10	5	12	12	12	1	-5
		8	4	10	10	10	1	-4
		6	3	8	8	8	1	-3
		2	1	4	4	4	1	-1
FINISH	PIN OMITTED	"E"	"D"	"C"	"B" SPACES	"A"	POS	P/N
								5176264-1

DATE: 01 MAR 2005  
 BY: VINCENT TAN  
 APPROVED: SF LEONG

tolerances UNLESS OTHERWISE SPECIFIED:  
 DIMENSIONS: mm  
 FINISH: PLATING

GENERAL TOLERANCE:  
 DIMS: 10 20 30 40 50 60 70 80 90 100  
 ANGLES: 30 45 60 75 90 120 150 180

MATERIAL: THERMOPLASTIC, UL 94V-0. POST : BRASS

tyco Electronics Singapore Pte. Ltd.  
 AMPMODU 2mm PITCH POST HDR, VERTICAL MOUNT TYPE  
 SIZE: A2 CASE CODE: 00779 DRAWING NO: 5176264  
 CUSTOMER DRAWING SCALE: 8:1 SHEET 1 OF 1 REV 01