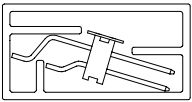


REV. Q

DIMENSIONS ARE IN INCHES		UNLESS OTHERWISE NOTED		TOLERANCES ARE:		TITLE:	DWG NO:
ONE PLACE DECIMALS $\pm .1$ [2.5]	THREE PLACE DECIMALS $\pm .005$ [.13]	ANGLES $\pm 2^\circ$.8MM x 1.2MM C.L. TERMINAL STRIP ASSM	FTE-1XX-XX-G-DH-X-XX
TWO PLACE DECIMALS $\pm .01$ [.3]	FOUR PLACE DECIMALS $\pm .0020$ [.051]						SHEET 2 OF 2

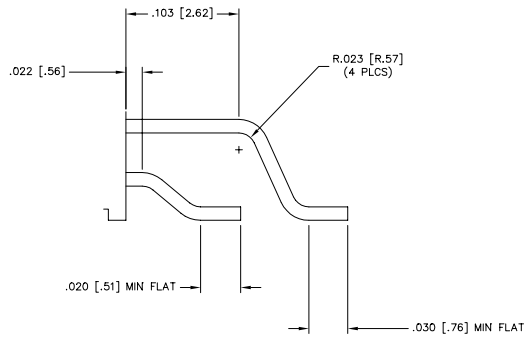
PACKAGING VIEWS

STYLE -01, -02, -03
STYLE -01-K, -02-K, -03-K



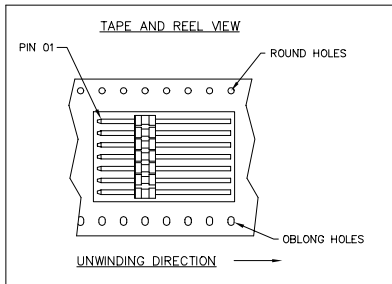
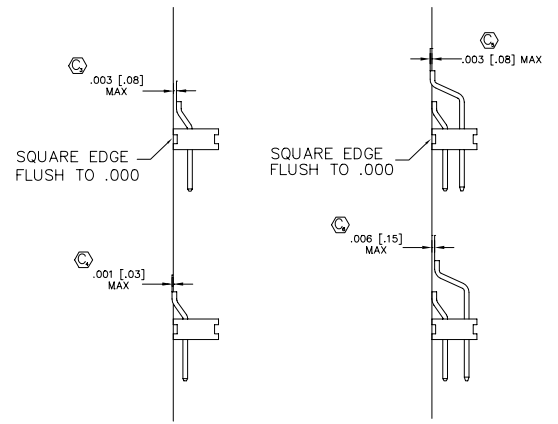
TUBE: PT-1-24-01-92
PLUG: TP-24

GEOMETRIC FLATNESS

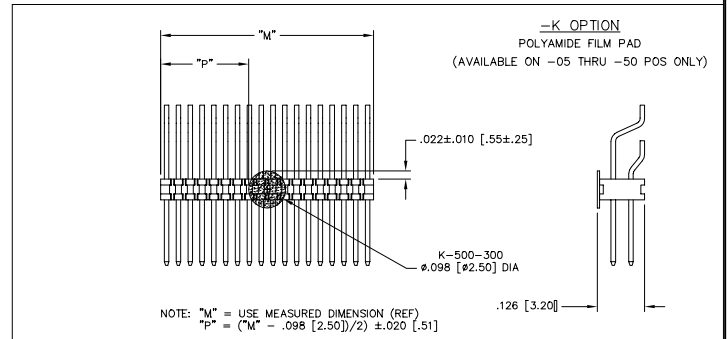


DETAIL 'A'
SCALE: 4x

COPLANARITY VIEWS



PROPRIETARY NOTE
THIS DOCUMENT CONTAINS INFORMATION CONFIDENTIAL AND PROPRIETARY TO SAMTEC INC. AND SHALL NOT BE REPRODUCED OR TRANSMITTED TO OTHER DOCUMENTS OR APPLIED TO OTHER PRODUCTS OR SERVICES WITHOUT THE EXPRESS WRITTEN CONSENT OF SAMTEC INC.



samtec

520 PARK EAST BLVD. NEW ALBANY, INDIANA 47150
PHONE (812) 944-6733 P.O. BOX 1147
CODE 55322

MADE BY: D PURVS 10/13/98

FTE-1XX-XX-G-DH-X-XX
SHEET 2 OF 2