

# Customer Information Sheet

DRAWING No.: M50-350XX42

SHEET 2 OF 2

IF IN DOUBT - ASK

©

NOT TO SCALE

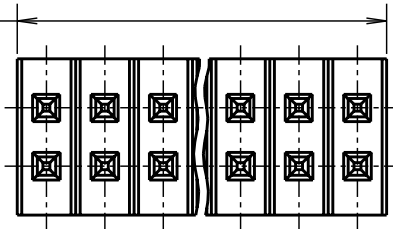
THIRD ANGLE PROJECTION

ALL DIMENSIONS IN mm

**NOTES:**

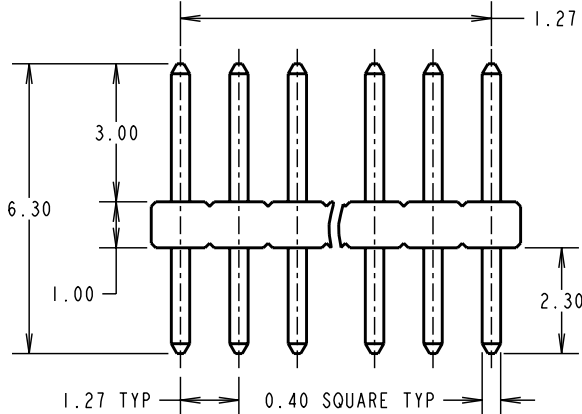
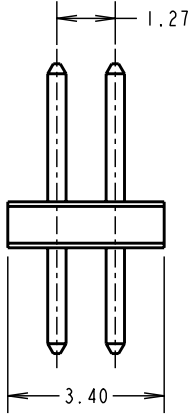
1. ALL TOLERANCES ARE  $\pm 0.25$  UNLESS OTHERWISE STATED.
2. RECOMMENDED HOLE SIZE =  $\varnothing 0.65 \pm 0.05$ mm.

1.27 x No. OF WAYS PER ROW  $\pm 0.40$



**SPECIFICATION:**

**MATERIAL:**  
 MOULDING = HIGH TEMP THERMOPLASTIC UL94V-0, BLACK  
 CONTACT = HIGH STRENGTH COPPER ALLOY  
**FINISH (CONTACT):**  
 42 = GOLD ON CONTACT AREA, 100% TIN ON TAILS  
**ELECTRICAL:**  
 CURRENT RATING (ALL CONTACTS ARE ELECTRICALLY LOADED) = 1A MAX  
 CONTACT RESISTANCE = 30 m $\Omega$  MAX  
 INSULATION RESISTANCE = 5,000 M $\Omega$  MIN  
 DIELECTRIC STRENGTH = 500V AC/DC  
**MECHANICAL:**  
 DURABILITY = 600 OPERATIONS  
**ENVIRONMENTAL:**  
 TEMPERATURE RANGE = -40°C TO +105°C  
 FOR COMPLETE SPECIFICATION, SEE COMPONENT SPECIFICATION C029XX (LATEST ISSUE)



ORDER CODE:

**M50-350XX42**

No. OF WAYS PER ROW 01 TO 50

FINISH: 42 = SELECTIVE GOLD + 100% TIN

CP	9	21.04.10	10756
NAME	ISS.	DATE	C/NOTE
APPROVED: C.PENROSE			
CHECKED: R.ADDE			
DRAWN: W. J. BOURNE			
CUSTOMER REF.:			
ASSEMBLY DRG:			

**HARWIN**

HARWIN USA  
 TEL: 603 893 5376  
 FAX: 603 893 5396  
 mis@harwin.com

HARWIN Europe (UK)  
 TEL: 023 9231 4545  
 FAX: 023 9231 4590  
 mis@harwin.co.uk

HARWIN Asia  
 TEL: +65 6 779 4909  
 FAX: +65 6 779 3868  
 mis@harwin.com.sg

THIS DRAWING AND ANY INFORMATION OR DESCRIPTIVE MATTER SET OUT HEREON ARE CONFIDENTIAL AND COPYRIGHT PROPERTY OF THE HARWIN GROUP AND MUST NOT BE DISCLOSED, LOANED, COPIED OR USED FOR MANUFACTURING, TENDERING OR FOR ANY OTHER PURPOSE WITHOUT THEIR WRITTEN PERMISSION.

**TOLERANCES**  
~~X =  $\pm 1$ mm~~  
~~X.X =  $\pm 0.25$ mm~~  
~~X.XX =  $\pm 0.10$ mm~~  
~~X.XXX =  $\pm 0.075$ mm~~  
 ANGLES =  $\pm 5^\circ$   
 UNLESS STATED

**MATERIAL:** SEE ABOVE  
**FINISH:** SEE ABOVE  
**S/AREA:** mm<sup>2</sup>

**TITLE:** 1.27mm PITCH DIL VERTICAL PIN HEADER  
**DRAWING NUMBER:** M50-350XX42  
 SHT 2 OF 2