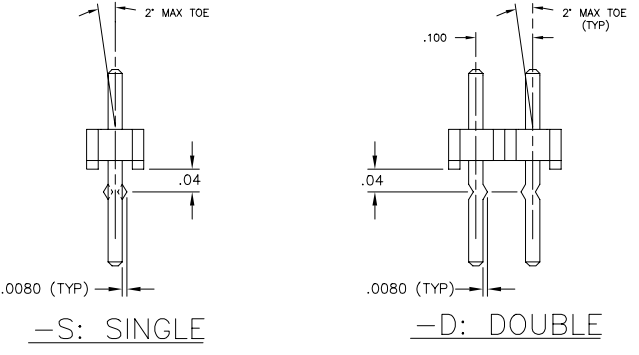
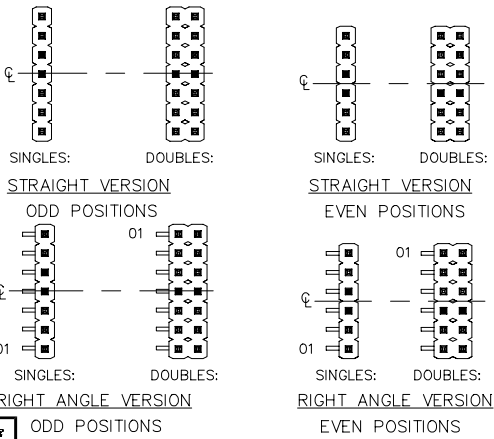
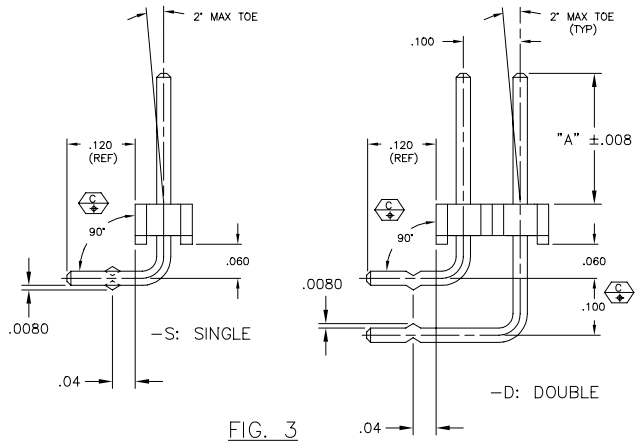
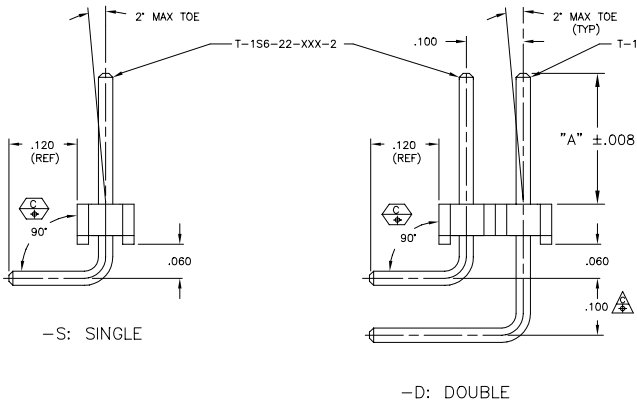


REV V

DIMENSIONS ARE IN INCHES UNLESS OTHERWISE NOTED		TOLERANCES ARE:	TITLE: LOW PROFILE TERMINAL ASSEMBLY	DWG NO: TLW-1XX-XX-XXX-X-XXX-XX
ONE PLACE DECIMALS: ± .1	THREE PLACE DECIMALS: ± .005	ANGLES ± 2°		
TWO PLACE DECIMALS: ± .01	FOUR PLACE DECIMALS: ± .0020		SHEET 2 OF 3	



EXISPROD\ASSEMBLY\100 TLWASM2

samtec

520 PARK EAST BLVD. NEW ALBANY, INDIANA 47150
PHONE (812) 944-6733 P.O. BOX 1147
CODE 55322

MADE BY: M PUFFER 8-18-97 TLW-1XX-XX-XXX-X-XXX-XX SHEET 2 OF 3

PROPRIETARY NOTE
THIS DOCUMENT CONTAINS INFORMATION CONFIDENTIAL AND PROPRIETARY TO SAMTEC INC. AND SHALL NOT BE REPRODUCED OR TRANSFERRED TO OTHER DOCUMENTS OR DISCLOSED TO OTHERS OR USED FOR ANY PURPOSE OTHER THAN THAT FOR WHICH IT WAS OBTAINED WITHOUT THE EXPRESSED WRITTEN CONSENT OF SAMTEC INC.