

FIG. 1
 TERMINAL STYLE -AA
 T-1R5-X

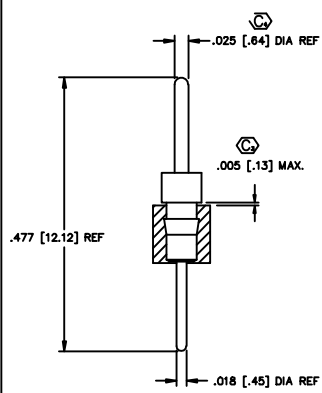


FIG. 2
 TERMINAL STYLE -A
 T-1R0-X

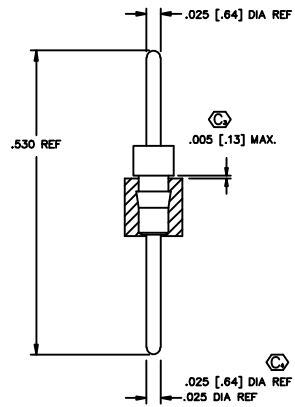


FIG. 3
 TERMINAL STYLE -A-1
 T-1R7-1-X

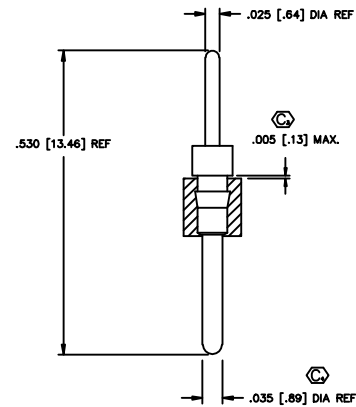


FIG. 4
 TERMINAL STYLE -A-2
 T-1R7-2-X

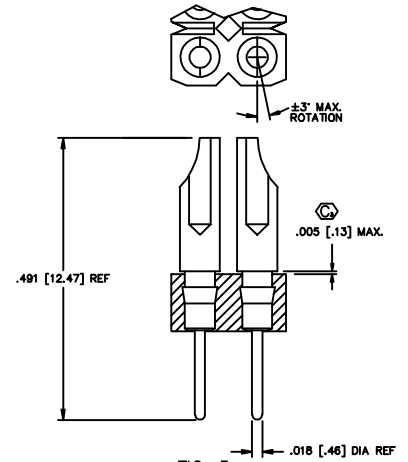


FIG. 5
 TERMINAL STYLE -B
 T-1R1-X

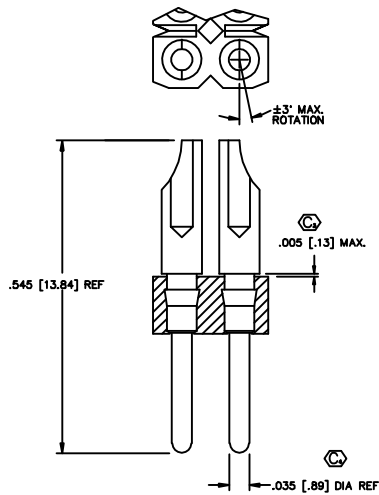


FIG. 7
 TERMINAL STYLE -B-2
 T-1R8-2-X

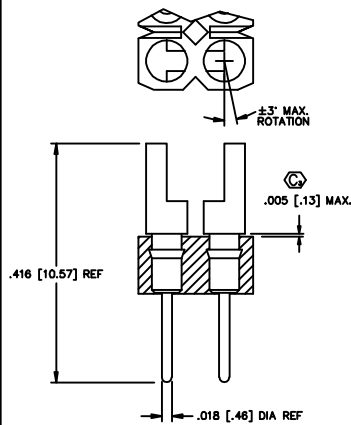


FIG. 8
 TERMINAL STYLE -C
 T-1R2-X

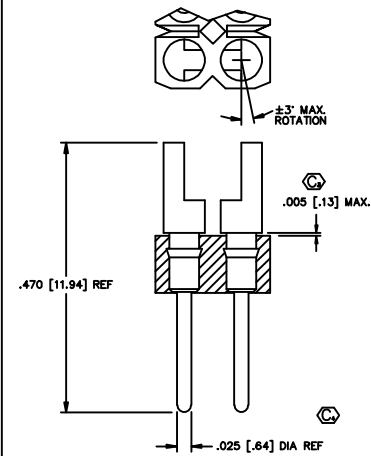


FIG. 9
 TERMINAL STYLE -C-1
 T-1R9-1-X

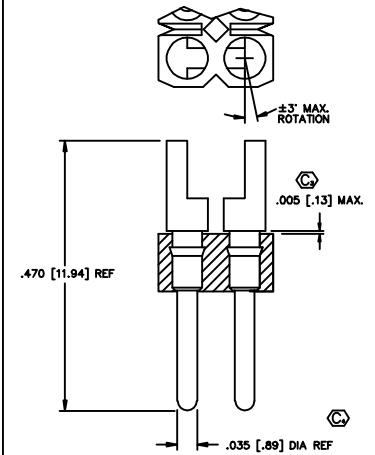


FIG. 10
 TERMINAL STYLE -C-2
 T-1R9-2-X

PROPRIETARY NOTE
 THIS DOCUMENT CONTAINS INFORMATION
 CONFIDENTIAL AND PROPRIETARY TO
 SAMTEC AND SHALL NOT BE
 REPRODUCED OR TRANSMITTED IN
 ANY FORM OR BY ANY MEANS,
 ELECTRONIC OR MECHANICAL,
 INCLUDING PHOTOCOPYING,
 RECORDING, OR BY ANY INFORMATION
 STORAGE AND RETRIEVAL SYSTEM,
 WITHOUT THE WRITTEN CONSENT OF SAMTEC INC.