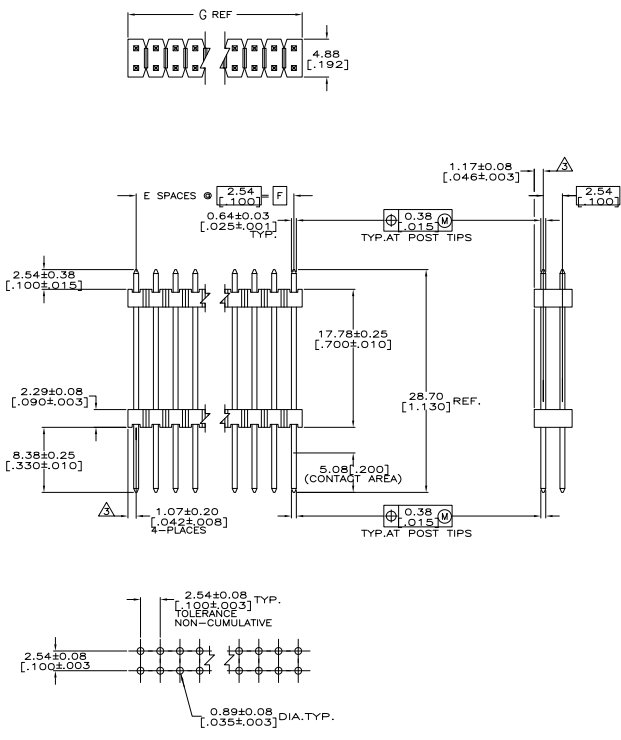


- ASSEMBLY MAY BE BROKEN TO THE DESIRED NUMBER OF POSITIONS
 - TRUE POSITION TOLERANCE OF THE POST TIPS APPLIES WHEN THE HEADER IS HELD FLAT AGAINST THE PRINTED CIRCUIT BOARD
- ▲ THE NOTED DIMENSIONS APPLY AT THE INTERSECTION OF THE POST AND HOUSING
 ▲ HOUSING: FLAME RETARDANT THERMOPLASTIC; COLOR: BLACK.
 ▲ FINISH: 0.000381 [0.00015] GOLD ON CONTACT AREA, 0.00254-0.00508 [0.00100-0.00200] MATTE TIN-LEAD ON SOLDER TAIL, ALL OVER 0.00127 [0.00050] NICKEL.
 ▲ FINISH: 0.000381 [0.00015] GOLD ON CONTACT AREA, 0.00254-0.00508 [0.00100-0.00200] MATTE TIN ON SOLDER TAIL, ALL OVER 0.00127 [0.00050] NICKEL.



PLATING	G	F	E	NO. OF POSITIONS	PART NUMBER
▲	101.19	99.06	39	80	9-146500-0
▲	98.65	96.52	38	78	8-146500-9
▲	96.11	93.98	37	76	8-146500-8
▲	93.57	91.44	36	74	8-146500-7
▲	91.03	88.90	35	72	8-146500-6
▲	88.49	86.36	34	70	8-146500-5
▲	85.95	83.82	33	68	8-146500-4
▲	83.41	81.28	32	66	8-146500-3
▲	80.87	78.74	31	64	8-146500-2
▲	78.33	76.20	30	62	8-146500-1
▲	75.79	73.66	29	60	8-146500-0
▲	73.25	71.12	28	58	7-146500-9
▲	70.71	68.58	27	56	7-146500-8
▲	68.17	66.04	26	54	7-146500-7
▲	65.63	63.50	25	52	7-146500-6
▲	63.09	60.96	24	50	7-146500-5
▲	60.55	58.42	23	48	7-146500-4
▲	58.01	55.88	22	46	7-146500-3
▲	55.47	53.34	21	44	7-146500-2
▲	52.93	50.80	20	42	7-146500-1
▲	50.39	48.26	19	40	7-146500-0
▲	47.85	45.72	18	38	6-146500-9
▲	45.31	43.18	17	36	6-146500-8
▲	42.77	40.64	16	34	6-146500-7
▲	40.23	38.10	15	32	6-146500-6
▲	37.69	35.56	14	30	6-146500-5
▲	35.15	33.02	13	28	6-146500-4
▲	32.61	30.48	12	26	6-146500-3
▲	30.07	27.94	11	24	6-146500-2
▲	27.53	25.40	10	22	6-146500-1
▲	24.99	22.86	9	20	6-146500-0
▲	22.45	20.32	8	18	5-146500-9
▲	19.91	17.78	7	16	5-146500-8
▲	17.37	15.24	6	14	5-146500-7
▲	14.83	12.70	5	12	5-146500-6
▲	12.29	10.16	4	10	5-146500-5
▲	9.75	7.62	3	8	5-146500-4
▲	7.21	5.08	2	6	5-146500-3
▲	4.67	2.54	1	4	5-146500-2
▲	2.13	0.00	-	2	5-146500-1

PLATING	G	F	E	NO. OF POSITIONS	PART NUMBER
▲	101.19	99.06	39	80	4-146500-0
▲	98.65	96.52	38	78	3-146500-9
▲	96.11	93.98	37	76	3-146500-8
▲	93.57	91.44	36	74	3-146500-7
▲	91.03	88.90	35	72	3-146500-6
▲	88.49	86.36	34	70	3-146500-5
▲	85.95	83.82	33	68	3-146500-4
▲	83.41	81.28	32	66	3-146500-3
▲	80.87	78.74	31	64	3-146500-2
▲	78.33	76.20	30	62	3-146500-1
▲	75.79	73.66	29	60	3-146500-0
▲	73.25	71.12	28	58	2-146500-9
▲	70.71	68.58	27	56	2-146500-8
▲	68.17	66.04	26	54	2-146500-7
▲	65.63	63.50	25	52	2-146500-6
▲	63.09	60.96	24	50	2-146500-5
▲	60.55	58.42	23	48	2-146500-4
▲	58.01	55.88	22	46	2-146500-3
▲	55.47	53.34	21	44	2-146500-2
▲	52.93	50.80	20	42	2-146500-1
▲	50.39	48.26	19	40	2-146500-0
▲	47.85	45.72	18	38	1-146500-9
▲	45.31	43.18	17	36	1-146500-8
▲	42.77	40.64	16	34	1-146500-7
▲	40.23	38.10	15	32	1-146500-6
▲	37.69	35.56	14	30	1-146500-5
▲	35.15	33.02	13	28	1-146500-4
▲	32.61	30.48	12	26	1-146500-3
▲	30.07	27.94	11	24	1-146500-2
▲	27.53	25.40	10	22	1-146500-1
▲	24.99	22.86	9	20	1-146500-0
▲	22.45	20.32	8	18	146500-9
▲	19.91	17.78	7	16	146500-8
▲	17.37	15.24	6	14	146500-7
▲	14.83	12.70	5	12	146500-6
▲	12.29	10.16	4	10	146500-5
▲	9.75	7.62	3	8	146500-4
▲	7.21	5.08	2	6	146500-3
▲	4.67	2.54	1	4	146500-2
▲	2.13	0.00	-	2	146500-1

RECOMMENDED HOLE LAYOUT

THIS DRAWING IS A CONTROLLED DOCUMENT: (11-000-04)

INCHES: 1:1
 MILLIMETERS: 1:1
 UNLESS OTHERWISE SPECIFIED: MILLIMETERS

DATE: 11-000-04
 DRAWING NO: 100779
 PART NO: 146500

CUSTOMER DRAWING: []
 DATE: 4-1
 SHEET: 1 OF 1

TE Connectivity
 HEADER ASSEMBLY, MOD II,
 STACKING, DOUBLE ROW,
 .025 SQ POST, UNSHROUDED