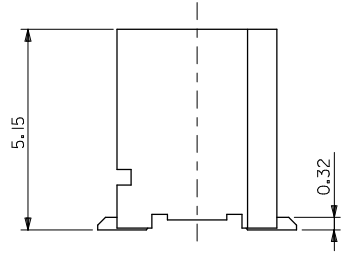
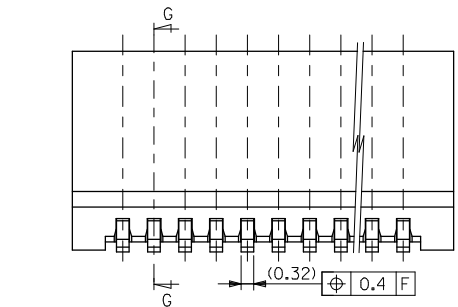
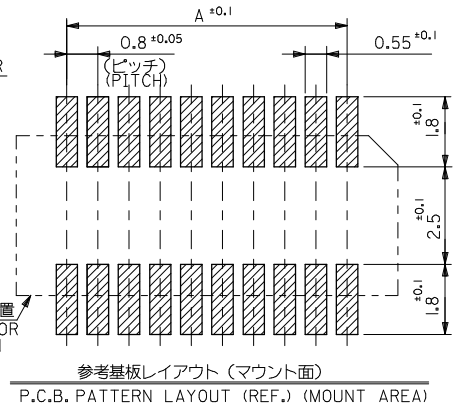
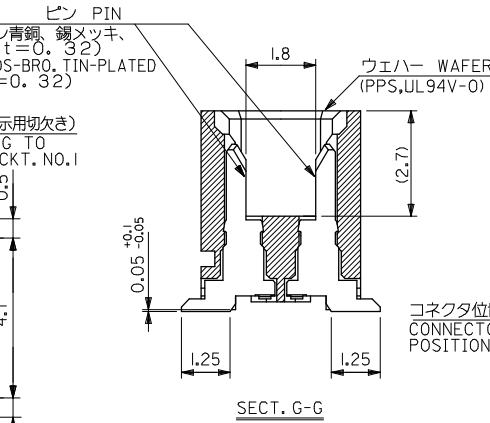
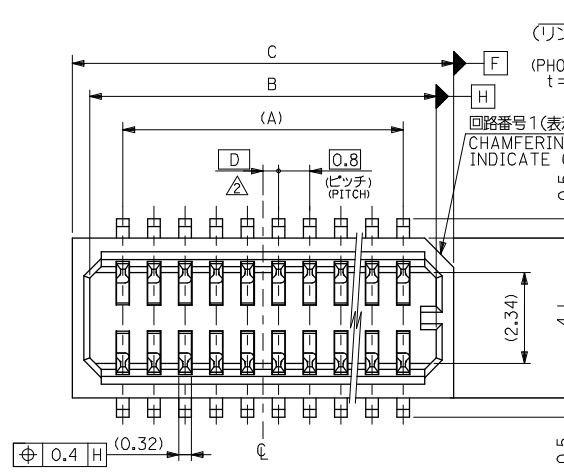


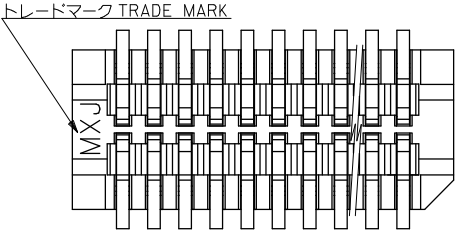
10 9 8 7 6 5 4 3 2 1



注記 NOTES

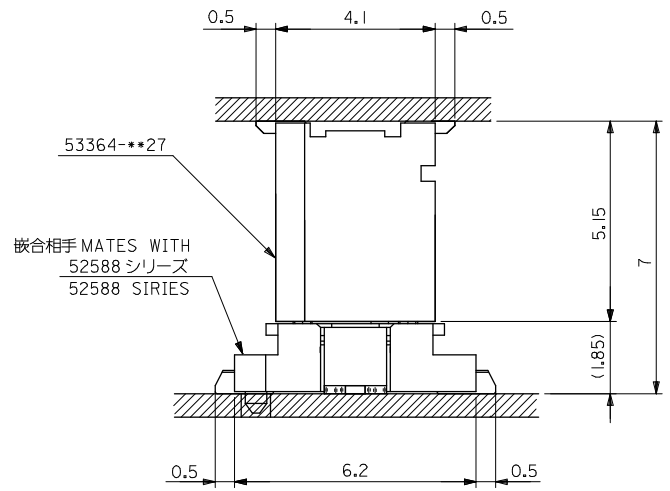
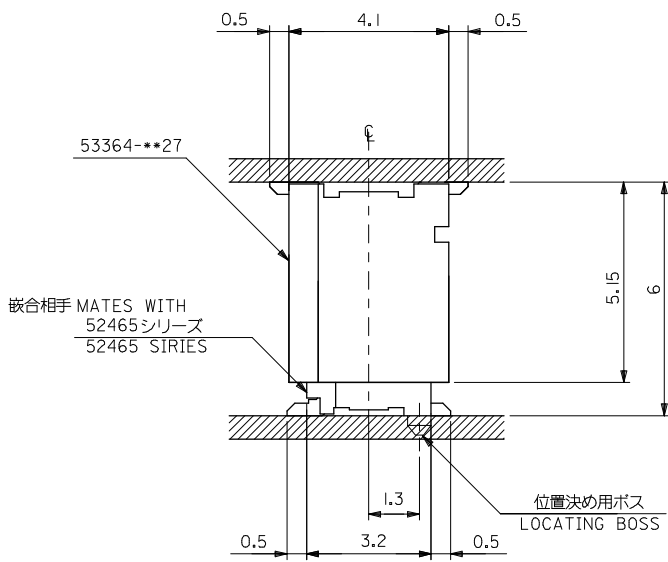
- 1. 嵌合相手: 52465, 52588 シリーズ
MATES WITH: 52465, 52588 SERIES
- △ ウェハの C から隣接するピンの C 迄の位置を示す。
SHOW POSITION FROM C OF WAFER TO C OF ADJACENT PINS.

0.8	13.8	12.9	11.2	53364-3027	30
0.8	5.8	4.9	3.2	53364-1027	10
D	C	B	A	MATERIAL NO.	極数 CKT.
				MODEL NO.	53364-**27



REVISED EC NO: J2008-3931 DRAWN: NAKAMURA 2008/05/26 CHKD: HARUYAMA 2008/05/26 APPR: NIKITA 2008/08/21 REV: A	DESCRIPTION	GENERAL TOLERANCES (UNLESS SPECIFIED)		DIMENSION STYLE MM ONLY		SCALE	DESIGN UNITS	THIRD ANGLE PROJECTION
		10 UNDER	±0.2	DRAWN BY	DATE	TITLE 0.8 BOARD TO BOARD CONN. WAFER ASSY ST. SMT (WITHOUT BOSS) (1/2)		
		10 OVER 30 UNDER	±0.20	M. NAKAMURA				
		30 OVER	±0.25	CHECKED BY	DATE	Y. M		
ANGULAR ±3°		DRAFT WHERE APPLICABLE MUST REMAIN WITHIN DIMENSIONS		APPROVED BY	DATE	MOLEX INCORPORATED		SHEET NO. 1 OF 2
SIZE 3		SEE TABLE		MATERIAL NO.	DOCUMENT NO.	SD-53364-004		

10 9 8 7 6 5 4 3 2 1



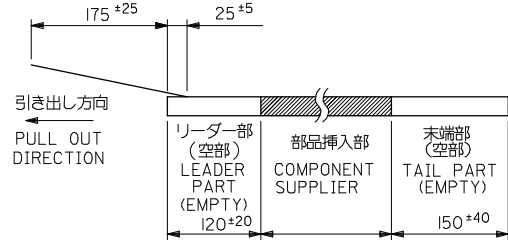
嵌合状態図 (参考)
MATED DRAWING (REF.)

REVISED EC NO: J2008-3931 DRAWN: NAKAMURA 2008/05/26 CHKD: HARUYAMA 2008/05/26 APPR: NIKITA 2008/08/21	GENERAL TOLERANCES (UNLESS SPECIFIED)		DIMENSION STYLE MM ONLY	SCALE ---	DESIGN UNITS METRIC	THIRD ANGLE PROJECTION
	10 UNDER	± ---	DRAWN BY M. NAKAMURA	DATE '95/7/17	TITLE 0.8 BOARD TO BOARD CONN. WAFER ASSY ST. SMT (WITHOUT BOSS) (2/2)	
	10 OVER 30 UNDER	± ---	CHECKED BY Y. M	DATE '95/7/17	MOLEX INCORPORATED	
	30 OVER	± ---	APPROVED BY M. FUKUSHIMA	DATE '95/7/17	DOCUMENT NO. SD-53364-004	SHEET NO. 2 OF 2
	ANGULAR	± --- °	MATERIAL NO. SEE TABLE	THIS DRAWING CONTAINS INFORMATION THAT IS PROPRIETARY TO MOLEX INCORPORATED AND SHOULD NOT BE USED WITHOUT WRITTEN PERMISSION		
	DRAFT WHERE APPLICABLE MUST REMAIN WITHIN DIMENSIONS		SIZE A3			

注記 NOTES

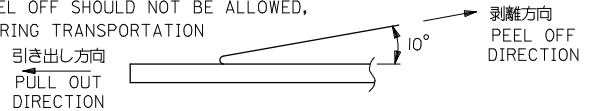
1. 梱包数量：1000個/リール NUMBER OF CONNECTORS:1000PCS/REEL
2. リードテープ長さ LEAD TAPE LENGTH

トップテープ TOP TAPE リーダー部 LEADER PART
 トップテープ TOP TAPE 未接着部 NON-BONDED PART

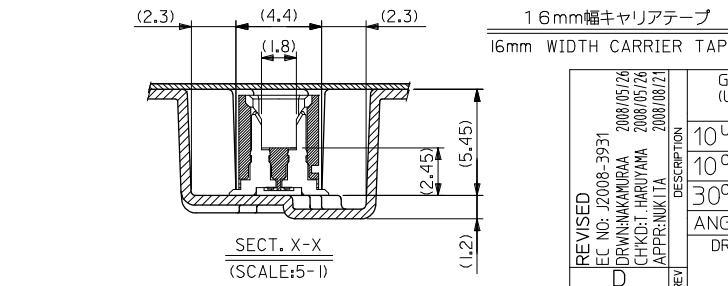
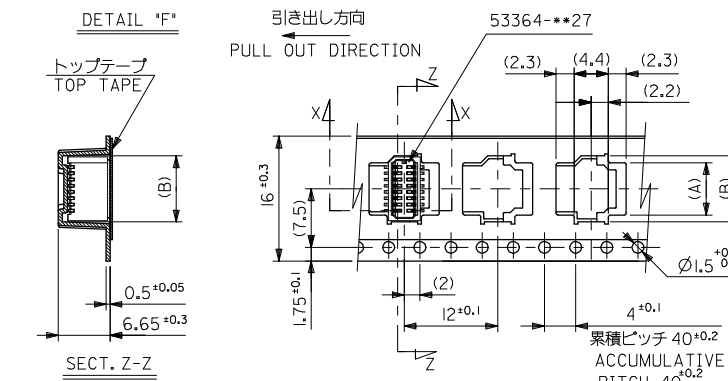
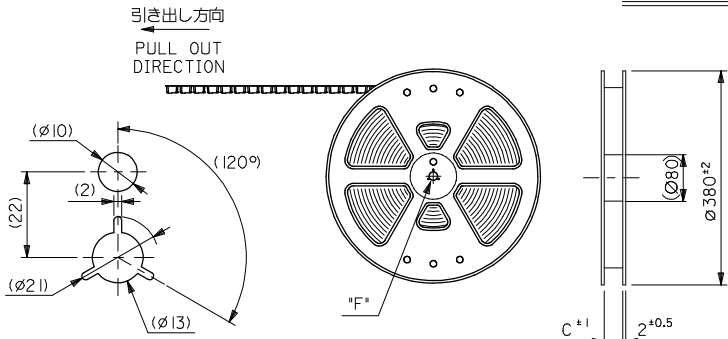


3. トップテープの剥離強度：(剥離方向は下図参照)
 0.1N ~ 0.7N (10.2gf ~ 71.4gf) 尚、本規格値は、出荷時に適用。
 (但し、輸送時に剥離が発生しない事。)

PEELING OFF FORCE OF TOP TAPE
 0.1N ~ 0.7N (10.2gf ~ 71.4gf) (PEELING DIRECTION AS SHOWN IN FOLLOWING FIG.)
 THIS REQUIREMENT SHOULD BE APPLIED AT SHIPMENT
 PEEL OFF SHOULD NOT BE ALLOWED,
 DURING TRANSPORTATION



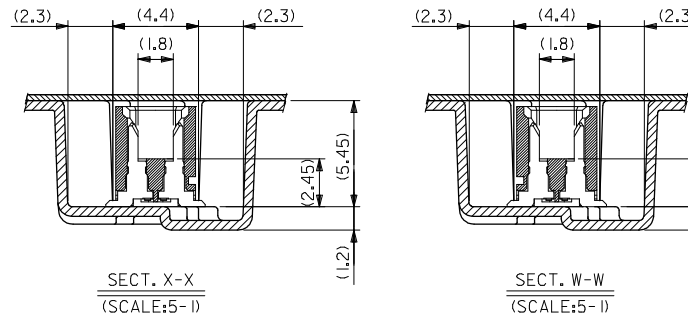
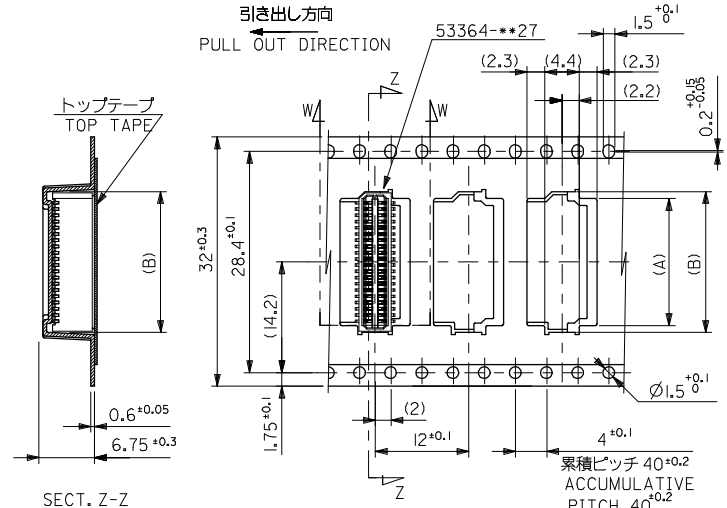
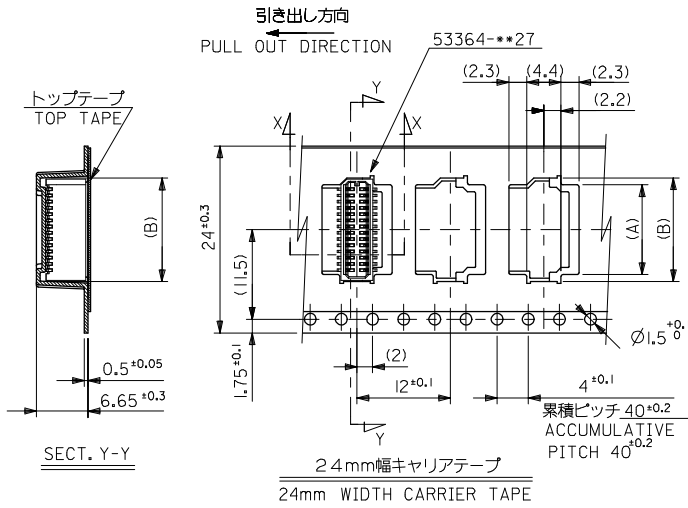
4. 材料 MATERIAL
 キャリアテープ：ポリプロピレン (PP) CARRIER TAPE: POLYPROPYLENE
 トップテープ：PET, PE, PEF TOP TAPE: PET, PE, PEF
 リール：ポリスチレン (PS) REEL: POLYSTYRENE (PS)
 <リサイクル材を含む> <RECYCLE MATERIAL CONTAINED>



16	17.5	6.1	4.3	53364-1091	10
キャリアテープ幅 CARRIER TAPE WIDTH	C	(B)	(A)	MATERIAL NO.	種数 CIRCUIT
				MODEL NO.	53364-**-91

REVISED EC NO: J2008-3931 DRAWN: KAKURAA 2008/05/26 CHKD: HARUYAMA 2008/05/26 APPR: NIKITA 2008/08/21 REV	GENERAL TOLERANCES (UNLESS SPECIFIED)		DIMENSION STYLE MM ONLY	SCALE ---	DESIGN UNITS METRIC	THIRD ANGLE PROJECTION
	10 UNDER	± ---	DRAWN BY T. ITO	DATE '93/1/28	TITLE 0.8 BTB CONN WAFER ASSY ST SMT WITHOUT BOSS EMBTP PKG (1/2)	
	10 OVER 30 UNDER	± ---	CHECKED BY T. ITO	DATE '00/12/16	MOLEX INCORPORATED	
	30 OVER	± ---	APPROVED BY M. FUKUSHIMA	DATE '00/12/16	DOCUMENT NO. SD-53364-006	SHEET NO. 1 OF 2
ANGULAR ± --- °		DRAFT WHERE APPLICABLE MUST REMAIN WITHIN DIMENSIONS	MATERIAL NO. SEE TABLE	THIS DRAWING CONTAINS INFORMATION THAT IS PROPRIETARY TO MOLEX INCORPORATED AND SHOULD NOT BE USED WITHOUT WRITTEN PERMISSION		

10 9 8 7 6 5 4 3 2 1



24	25.5	14.1	12.3	53364-3091	30
キャリアテープ幅 CARRIER TAPE WIDTH	C	(B)	(A)	MATERIAL NO.	種数 CIRCUIT
				MODEL NO.	53364-***91

REVISED E.C. NO: J2008-3931 DRAWN: KAKURAA 2008/05/26 CHECKED: HARUYAMA 2008/05/26 APPROVED: NIKITA 2008/08/21 DESCRIPTION REV:	GENERAL TOLERANCES (UNLESS SPECIFIED)		DIMENSION STYLE MM ONLY		SCALE ---	DESIGN UNITS METRIC	THIRD ANGLE PROJECTION
	10 UNDER	±---	DRAWN BY T. ITO	DATE '93/1/28	TITLE 0.8 BTB CONN WAFER ASSY ST SMT WITHOUT BOSS EMBTP PKG (2/2)		
	10 OVER 30 UNDER	±---	CHECKED BY T. ITO	DATE '00/12/16	MOLEX INCORPORATED		
	30 OVER	±---	APPROVED BY M. FUKUSHIMA	DATE '00/12/16	DOCUMENT NO. SD-53364-006	SHEET NO. 2 OF 2	
	ANGULAR ±--- °		MATERIAL NO. SEE TABLE		THIS DRAWING CONTAINS INFORMATION THAT IS PROPRIETARY TO MOLEX INCORPORATED AND SHOULD NOT BE USED WITHOUT WRITTEN PERMISSION		