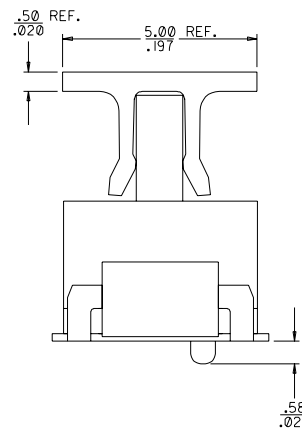
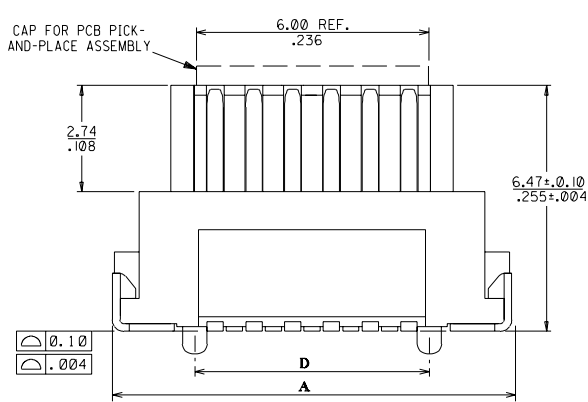
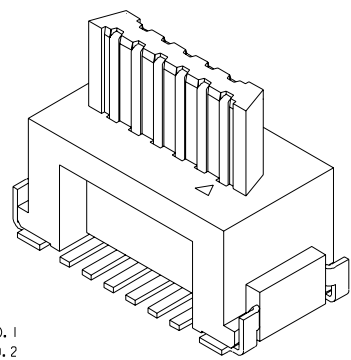
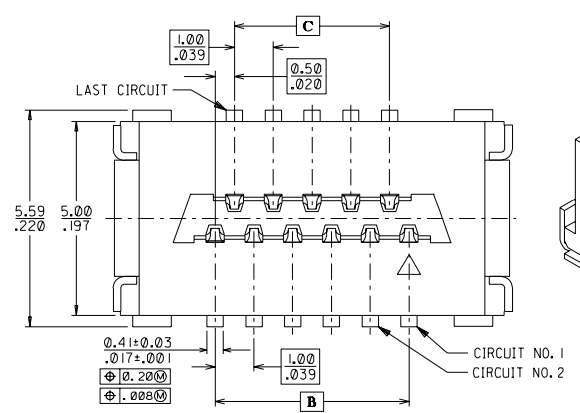
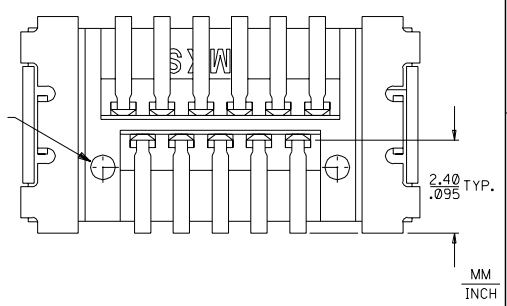


DWG. NO. SD- 87436-***7
 CAD FILE S87436E.LDGN

8 7 6 5 4 3 2 1



NOTES:-
 1. MATERIALS : HOUSING - GLASS-FILLED LIQUID CRYSTAL POLYMER (LCP), COLOR: BEIGE, UL FLAMMABILITY RATING V-0
 COVER - GLASS-FILLED LIQUID CRYSTAL POLYMER (LCP), COLOR: BLACK, UL FLAMMABILITY RATING V-0
 INSERTS - COPPER ALLOY
 TERMINALS - COPPER ALLOY
 2. FINISH : INSERTS - TIN LEAD ALLOY (SNPB) OVER NICKEL.
 TERMINALS - SELECTIVE GOLD (AU) 0.76 MICRONS (30 MICRO-INCHES) MINIMUM IN THE CONTACT AREA.
 SELECTIVE TIN LEAD ALLOY (SNPB) ON THE PC TAILS. NICKEL (NI) UNDERCOAT OVERALL.
 3. PRODUCT SPECIFICATION : PS - 87433 - 0001
 4. PART NO. LEGEND : 8 7 4 3 6 - * * * 7
 CIRCUIT SIZE
 05 - 9 CIRCUITS 21 - 41 CIRCUITS
 06 - 11 CIRCUITS 26 - 51 CIRCUITS
 08 - 15 CIRCUITS 35 - 69 CIRCUITS
 11 - 21 CIRCUITS
 13 - 25 CIRCUITS
 16 - 31 CIRCUITS
 POLARIZING POSTS, PICK-AND-PLACE COVER, AND PACKAGING OPTIONS :
 2 - NO POSTS, NO COVER, TUBE PACKAGING
 3 - TWO POSTS, NO COVER, TUBE PACKAGING
 4 - NO POSTS, WITH COVER, TUBE PACKAGING
 5 - TWO POSTS, WITH COVER, TUBE PACKAGING
 6 - NO POSTS, NO COVER, EMBOSSED TAPE AND REEL
 7 - TWO POSTS, NO COVER, EMBOSSED TAPE AND REEL
 8 - NO POSTS, WITH COVER, EMBOSSED TAPE AND REEL
 9 - TWO POSTS, WITH COVER, EMBOSSED TAPE AND REEL

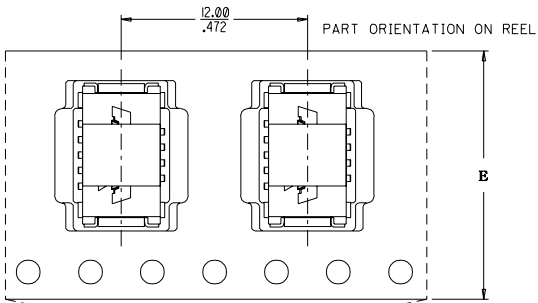


				MATERIAL : PLEASE REFER TO NOTE 1.		MOLEX SINGAPORE PTE LTD SHEET 1 OF 2	
				FINISH : PLEASE REFER TO NOTE 2.		GENERAL TOLERANCES • 0.20/.008 REV B9	
B9	REVISED PER ECN*S2002-0349	PSHAN	020207				
B8	REVISED PER ECN*S1999-0415	PSHAN	990816				
LTR	REVISION RECORD	ECN	DR	CHK	DATE	DRAWN BY GMSimmel	941124
REVISE ONLY ON CAD SYSTEM				APPR'D BY	SCALE	TITLE : BOARD-TO-BOARD SMT PLUG CONNECTOR ASSEMBLY (7 mm)	

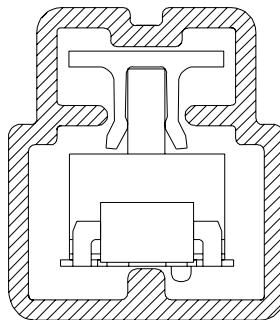
THIS DRAWING CONTAINS INFORMATION THAT IS PROPRIETARY TO MOLEX (S) PTE LTD AND SHOULD NOT BE USED WITHOUT WRITTEN PERMISSION

DWG. NO. 50-87436-***7
 CAD FILE 587436E2.DCN
 DO NOT SCALE DRAWING

TAPE AND REEL WIDTHS AND HOLE DIMENSIONS CONFORM TO EIA-481 STANDARDS.

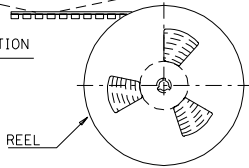


PART ORIENTATION IN TUBE

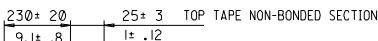


PART NO.	CKT. SIZE	PART QTY. PER REEL	DIMENSIONS				
			A	B	C	D	E
87436-05*7	9	700	9.30 .366	4.00 .157	3.00 .118	5.05 .199	24.00 .945
87436-06*7	11	700	10.30 .406	5.00 .197	4.00 .157	6.05 .238	24.00 .945
87436-08*7	15	700	12.30 .484	7.00 .276	6.00 .236	8.05 .317	24.00 .945
87436-11*7	21	700	15.30 .602	10.00 .394	9.00 .354	11.05 .435	24.00 .945
87436-13*7	25	700	17.30 .681	12.00 .472	11.00 .433	13.05 .514	32.00 1.260
87436-16*7	31	700	20.30 .799	15.00 .591	14.00 .551	16.05 .632	44.00 1.732
87436-21*7	41	700	25.30 .996	20.00 .787	19.00 .748	21.05 .829	44.00 1.732
87436-26*7	51	700	30.30 1.193	25.00 .984	24.00 .945	26.05 1.026	44.00 1.732
87436-35*7	69	700	39.30 1.547	34.00 1.339	33.00 1.299	35.05 1.380	56.00 2.205

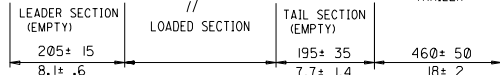
PULL OUT DIRECTION



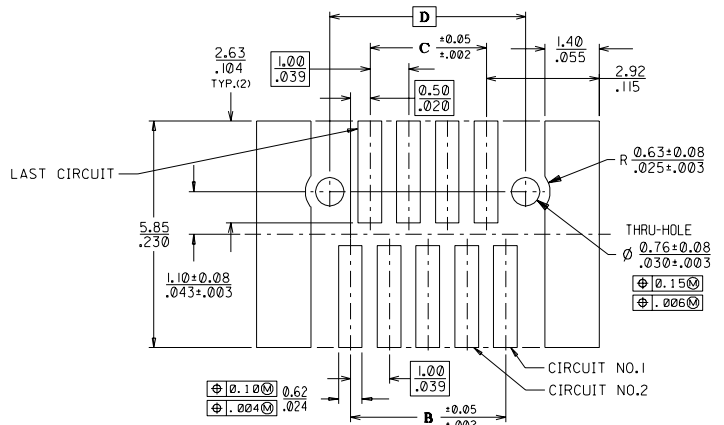
TOP TAPE LEADER



PULL OUT DIRECTION



PULL-OUT DIRECTION



RECOMMENDED PCB PAD AND HOLE LAYOUT

MM
INCH

				MATERIAL : SEE SHEET 1		MOLEX SINGAPORE PTE LTD SHEET 2 OF 2	
				FINISH : SEE SHEET 1		GENERAL TOLERANCES ± 0.20/.008 REV B9	
SEE SHEET 1				DRAWN BY GMSimmel		DWG. NO.: SD-1 87436-***7	
LTR	REVISION RECORD	ECN	DR CHK	DATE	94124 CHK'D BY	TITLE : 1mm BOARD-TO-BOARD SMT PLUG CONNECTOR ASSEMBLY (7mm)	
REVISE ONLY ON CAD SYSTEM						APPR'D BY	SCALE

THIS DRAWING CONTAINS INFORMATION THAT IS PROPRIETARY TO MOLEX (S) PTE LTD AND SHOULD NOT BE USED WITHOUT WRITTEN PERMISSION