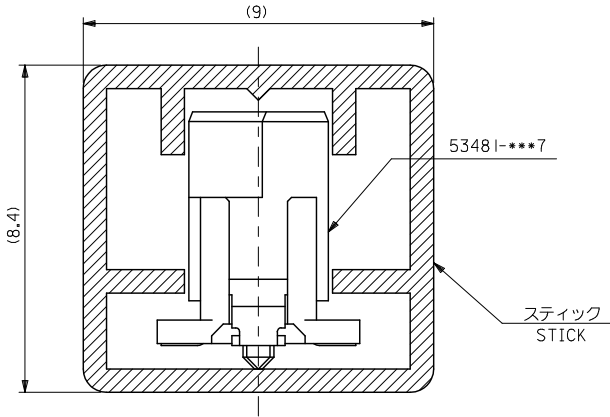


10 9 8 7 6 5 4 3 2 1



注) NOTES.

1. スティック両端はキャップ止め。  
BOTH ENDS WITH CAPS.
2. 全長： 600±2  
TOTAL LENGTH
3. 肉厚：0.6±0.2  
THICKNESS
4. 量産対応済の極数については、  
SD-53481-004 を参照下さい。  
SEE SD-53481-004 FOR AVAILABLE ITEMS.

6	53481-2409	240
8	53481-1809	180
9	53481-1609	160
19	53481-0709	70
梱包数 QUANTITY	MATERIAL NO.	極数 NO. OF CKT.

MODEL NO. 53481-\*\*\*9

材料  
MATERIAL  
スティック：ポリ塩化ビニル  
STICK : P.V.C

REVISED EC NO: J2009-0643 DRAWN: M. YAGI CHECKED: Y. ITO APPROVED: H. IKESUGI DATE: 2008/11/26 DATE: 2009/01/08	GENERAL TOLERANCES (UNLESS SPECIFIED)		DIMENSION STYLE MM ONLY		SCALE 10:1	DESIGN UNITS METRIC	THIRD ANGLE PROJECTION	
	10 UNDER	±---	DRAWN BY M. YAGI	DATE '94/4/29	TITLE 53481-***7 STICK PACKAGING			
	10 OVER 30 UNDER	±---	CHECKED BY Y. ITO	DATE	MOLEX INCORPORATED			
	30 OVER	±---	APPROVED BY H. IKESUGI	DATE	DOCUMENT NO. SD-53481-006		SHEET NO. 1 OF 1	
ANGULAR ±--- °		DRAFT WHERE APPLICABLE MUST REMAIN WITHIN DIMENSIONS		SEE TABLE		THIS DRAWING CONTAINS INFORMATION THAT IS PROPRIETARY TO MOLEX INCORPORATED AND SHOULD NOT BE USED WITHOUT WRITTEN PERMISSION		