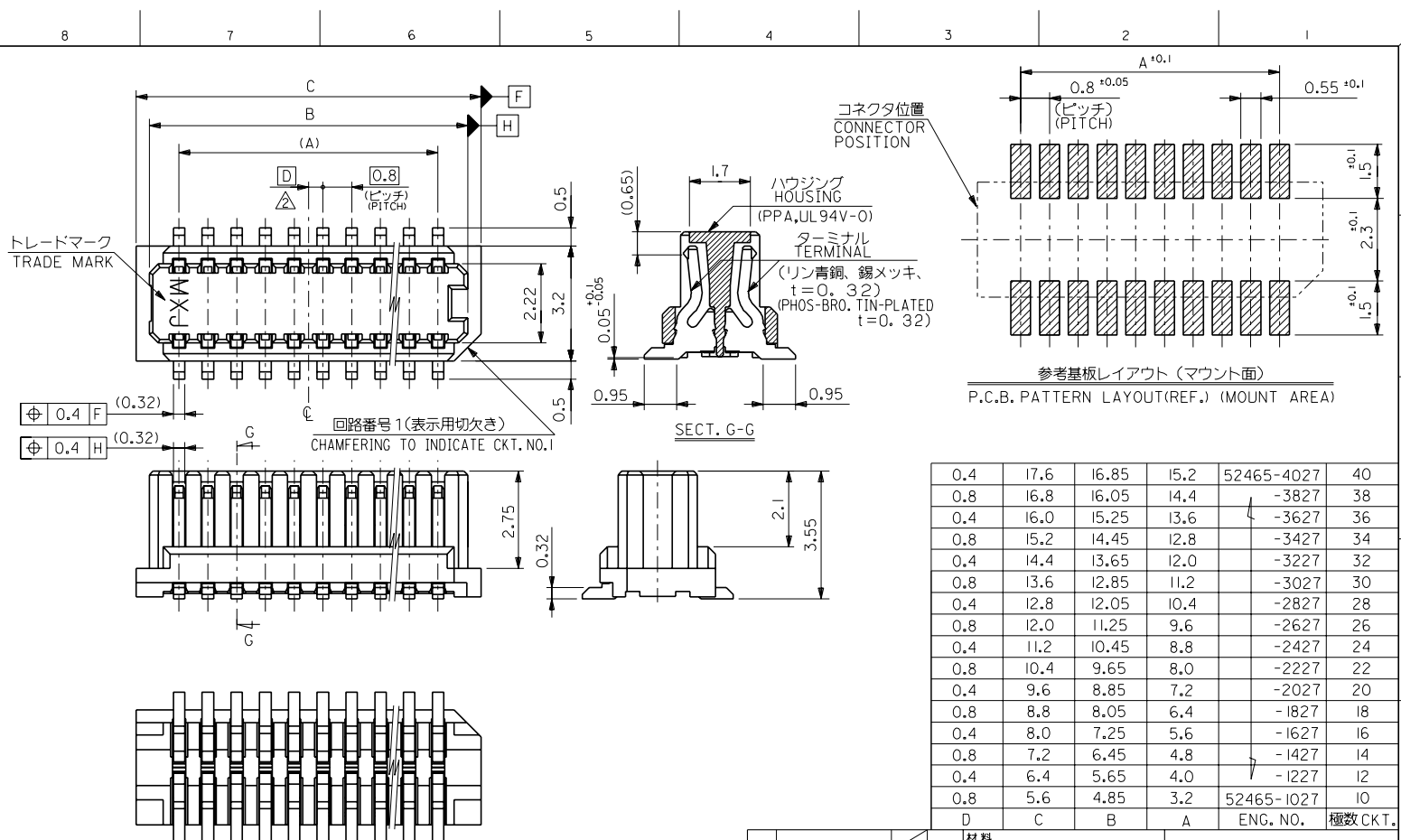


DWG. NO. SD-52465-27
 DIMENSIONS IN METRIC DO NOT SCALE DRAWING



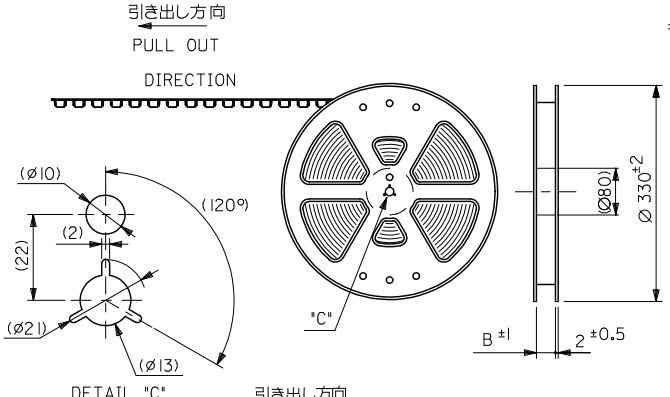
0.4	17.6	16.85	15.2	52465-4027	40
0.8	16.8	16.05	14.4	-3827	38
0.4	16.0	15.25	13.6	-3627	36
0.8	15.2	14.45	12.8	-3427	34
0.4	14.4	13.65	12.0	-3227	32
0.8	13.6	12.85	11.2	-3027	30
0.4	12.8	12.05	10.4	-2827	28
0.8	12.0	11.25	9.6	-2627	26
0.4	11.2	10.45	8.8	-2427	24
0.8	10.4	9.65	8.0	-2227	22
0.4	9.6	8.85	7.2	-2027	20
0.8	8.8	8.05	6.4	-1827	18
0.4	8.0	7.25	5.6	-1627	16
0.8	7.2	6.45	4.8	-1427	14
0.4	6.4	5.65	4.0	-1227	12
0.8	5.6	4.85	3.2	52465-1027	10

注記 NOTES

- 嵌合相手: 53307-27, 53307-37, 53309-27, 53309-37
MATES WITH
- ハウジングの C から隣接するターミナルの C 迄の位置を示す。
SHOW POSITION FROM C OF HOUSING TO C OF ADJACENT TERMINALS.
- 一对の基板の嵌合に於いて、本製品を2個以上使用することは推奨できません。
MXJ DOSE NOT RECOMMEND THE USAGE OF TWO OR MORE OF THESE CONNECTORS BETWEEN A SINGLE PAIR OF P. C. BOARD.

角度 ANGLE	+3°									材料 MATERIAL 図中参照 SEE DRAWING	MOLEX-JAPAN CO.,LTD. 日本モレックス株式会社 REVISE ONLY ON CAD SYSTEM TITLE 名称 0.8 BOARD TO BOARD CONN. HOUSING ASSY SMT (WITHOUT BOSS)
30以上 OVER	+0.3	B	変更 REVISD (UC60753)	TA	YM	96/4/8	適用電線範囲 WIRE RANGE			被覆外径 INS. RANGE	
10以上 未満 OVER 30 UNDER	+0.25	A	変更 REVISD (J21207)	TL	ST	93/1/27	適用電線範囲 WIRE RANGE			被覆外径 INS. RANGE	
10未満 UNDER	+0.2	O	新規作成 PROPOSED (J11001)	ND	ST	91/11/5	適用電線範囲 WIRE RANGE			被覆外径 INS. RANGE	
一般公差 GENERAL TOLERANCES			記号 LTR 変更内容 REVISION RECORD	DR	CHK	DATE	適用電線範囲 WIRE RANGE			被覆外径 INS. RANGE	

THIS DRAWING CONTAINS PROPRIETARY INFORMATION THAT IS PROPRIETARY TO MOLEX/JAPAN AND SHOULD NOT BE USED WITHOUT WRITTEN PERMISSION
 本図面は日本モレックス(株)の所有する情報を含むもので 当社の許可なく複製を禁止する。 EN-01C(032)MXJ-32

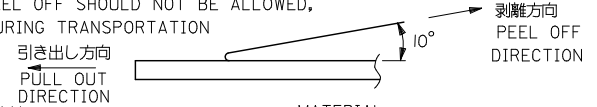


注記 NOTES

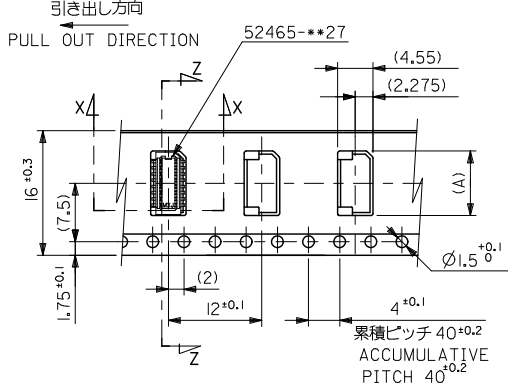
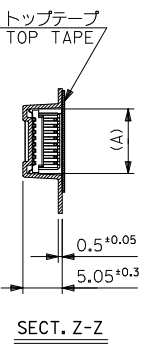
1. 梱包数量：1000個/リール NUMBER OF CONNECTORS:1000PCS/REEL
2. リードテープ長さ LEAD TAPE LENGTH
 トップテープ TOP TAPE
 リーダー部 LEADER PART トップテープ TOP TAPE
 未接着部 NON-BONDED PART
 175⁺²⁵ 25⁺⁵



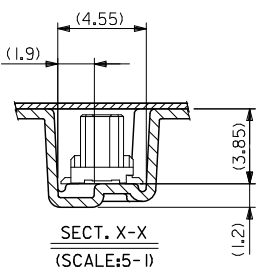
3. トップテープの剥離強度：(剥離方向は下図参照)
 0.1N~0.7N(10.2gf~71.4gf)尚、本規格値は、出荷時に適用。
 (但し、輸送時に剥離が発生しない事。)
 PEELING OFF FORCE OF TOP TAPE
 0.1N~0.7N(10.2gf~71.4gf)(PEELING DIRECTION AS SHOWN IN FOLLOWING FIG.)
 THIS REQUIREMENT SHOULD BE APPLIED AT SHIPMENT
 PEEL OFF SHOULD NOT BE ALLOWED,
 DURING TRANSPORTATION



4. 材料 MATERIAL
 キャリアテープ：ポリプロピレン (PP) CARRIER TAPE:POLYPROPYLENE
 トップテープ：PET, PE, PEF TOP TAPE:PET,PE,PEF
 リール：ポリスチレン (PS) REEL:POLYSTYREN(PS)
 <リサイクル材を含む> <RECYCLE MATERIAL CONTAINED>

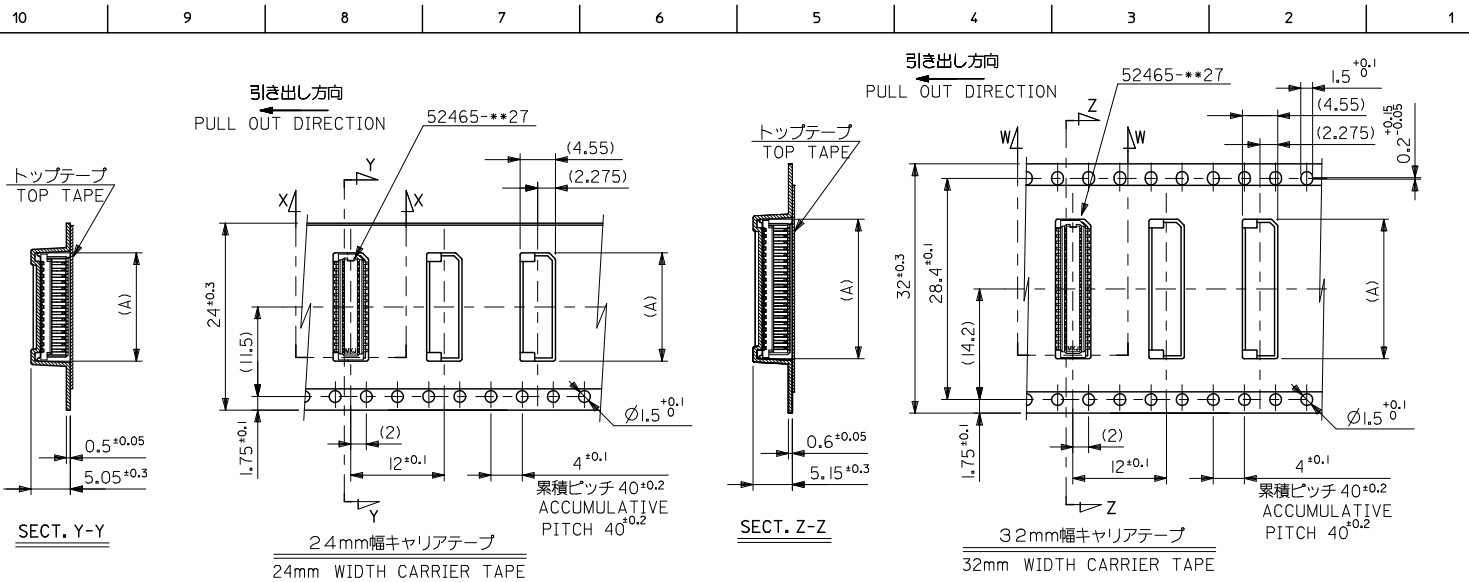


16mm幅キャリアテープ
16mm WIDTH CARRIER TAPE



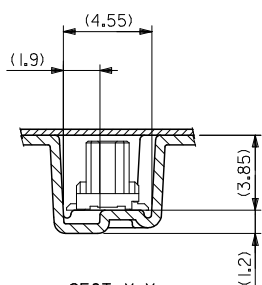
16	17.5	6.7	52465-1291	12
		5.9	52465-1091	10
キャリアテープ幅 CARRIER TAPE WIDTH	B	(A)	MATERIAL NO.	極数 CIRCUIT

REVISED EC NO: J2009-14/7 DRAWN: KANAKURAA CHKD: HARUYAMA APPROV: NIKITA 2008/12/15 2008/12/15 2009/01/14	GENERAL TOLERANCES (UNLESS SPECIFIED)		DIMENSION STYLE MM ONLY		SCALE ---	DESIGN UNITS METRIC	MODEL NO. 52465-***91
	10 UNDER	±---	DRAWN BY K. ASAKAWA	DATE '91/11/22	TITLE 0.8 B-T0-B HSG ASSY SMT EMBSTP PKG		
	10 OVER 30 UNDER	±---	CHECKED BY T. ITO	DATE '00/12/20	MATERIAL NO. SEE TABLE		
	30 OVER	±---	APPROVED BY M. FUKUSHIMA	DATE '00/12/20	MOLEX INCORPORATED		
	ANGULAR ±---	DRAFT WHERE APPLICABLE MUST REMAIN WITHIN DIMENSIONS		DOCUMENT NO. SD-52465-041		SHEET NO. 1 OF 2	

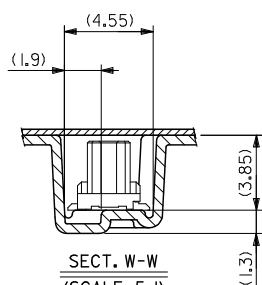


SECT. Y-Y

SECT. Z-Z



SECT. X-X
(SCALE: 5:1)



SECT. W-W
(SCALE: 5:1)

32	33.5	17.9	52465-4091	40
24	25.5	14.7	52465-3291	32
		13.1	52465-2891	28
		12.3	52465-2691	26
9.9	52465-2091	20		
キャリアテープ幅 CARRIER TAPE WIDTH	B	(A)	MATERIAL NO.	極数 CIRCUIT

MODEL NO. 52465-xx91

REVISED EC NO: J2009-14/7 DRAWN: KANAKURAA 2008/12/15 CHECKED: HARUYAMA 2008/12/15 APPROVED: HIKITA 2009/01/14	GENERAL TOLERANCES (UNLESS SPECIFIED)		DIMENSION STYLE MM ONLY		SCALE ---	DESIGN UNITS METRIC	THIRD ANGLE PROJECTION	
	10 UNDER	±---	DRAWN BY K. ASAKAWA	DATE '91/11/22	TITLE 0.8 B-T-O-B HSG ASSY SMT EMBSTP PKG			
	10 OVER 30 UNDER	±---	CHECKED BY T. ITO	DATE '00/12/20	MATERIAL NO. SEE TABLE			
	30 OVER	±---	APPROVED BY M. FUKUSHIMA	DATE '00/12/20	DOCUMENT NO. SD-52465-041			
ANGULAR ±--- °		DRAFT WHERE APPLICABLE MUST REMAIN WITHIN DIMENSIONS		SIZE A3		THIS DRAWING CONTAINS INFORMATION THAT IS PROPRIETARY TO MOLEX INCORPORATED AND SHOULD NOT BE USED WITHOUT WRITTEN PERMISSION		