

PortServer® TS M MEI

Serial Server – Modem Series

Ethernet and RS-232/422/485 serial connections,
with internal modem for dial-up connectivity to remote
serial devices.



Overview

PortServer TS M MEI offers Ethernet and RS-232/422/485 serial connections, with the addition of an internal modem. The one- and three-port serial servers are ideal for applications requiring both IP networking and standard phone line dial-up connectivity for remote access to serial devices.

The embedded modem adds another level of flexibility to the PortServer TS line. It allows remote hosts to dial-in to a serial device attached to the Digi serial server, as well as the serial device to dial-out to a remote location using a standard phone line. The modem helps to create a PPP connection (TCP/IP connection over modem) so that applications and devices can communicate via an IP network, even when the primary LAN or WAN is not available. This allows users from a central location to maintain access to remote serial devices.

Other applications for PortServer TS M MEI include remote site console management for small branches and remote log-in via a TCP/IP network for easy troubleshooting, monitoring, configuration or control.

Target Applications



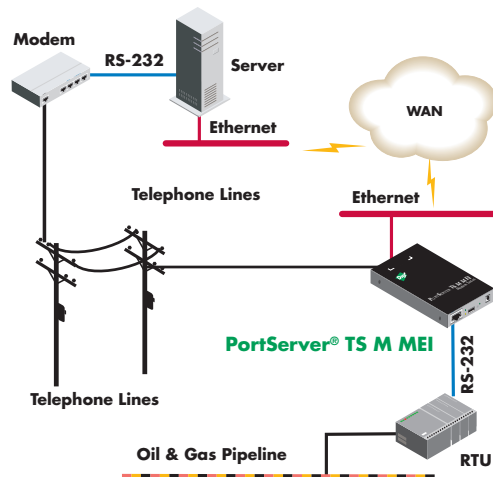
Utilities



Remote Device
Management

Application Highlight

Remote Dial-Up



Features/Benefits

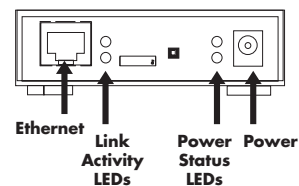
- Easily connect to remote networks and devices
- Internal v.90/v.92 modem
- 1- and 3-port models for application flexibility
- RS-232/422/485 switch-selectable on all ports
- RealPort for COM or TTY port control and management
- NIST FIPS-197 certified (secure AES)
- PPP and SSH for creating secure IP network over serial connection
- Easy IP assignment via DHCP, RARP, ARP-Ping or Digi utilities



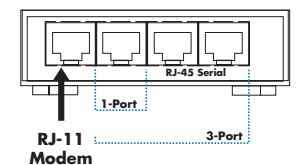
www.digi.com

Specifications	PortServer® TS 1 M MEI	PortServer® TS 3 M MEI
Features		
Management	HTTP/HTTPS, CLI, SNMP (read/write), Digi Port Authority-Remote management diagnostics and auto-discovery tool	
Protocols	UDP/TCP, DHCP/RARP/ARP-Ping for IP Address assignment, PPP, Extended Telnet RFC 2217, Telnet, Reverse Telnet, Modbus to Modbus/TCP protocol conversion support	
Security	SSHv2, Static routing, RIP 1, SSL/TLS	
Software	Device-initiated patented RealPort® COM port redirector	
Status LEDs	Link, Activity, Power, Status	
Operating Systems	AIX, HP-UX, Linux®, SCO® OpenServer™ 5, SCO® OpenServer™ 6, Solaris™ Intel, Solaris™ SPARC, Windows XP®, Windows Server® 2003, Windows Server® 2008, Windows Vista® Note: TCP/UDP Socket Services are operating system independent	
Dimensions (L x W x D)	5.25 in x 3.33 in x 0.95 in (13.34 cm x 8.46 cm x 2.42 cm)	
Weight	2.25 oz (64.00 g)	
Other	DIN rail mounting options, Full modem and hardware flow control, Port buffering, RJ-45/DB-9F crossover cable included for optional serial configuration	
Interfaces		
Serial		
Ports	1 RS-232/422/485 RJ-45; Up to 230 Kbps throughput; Signal support for TXD, RXD, RTS, CTS, DTR, DSR, DCD	3 RS-232/422/485 RJ-45; Up to 230 Kbps throughput; Signal support for TXD, RXD, RTS, CTS, DTR, DSR, DCD
Modem		
Ports	1 RJ-11	
Modem Type	Internal v.90/v.92	
Ethernet		
Ports	1 RJ-45 10/100 Mbps 10/100Base-T (auto-sensing); Full or half duplex	
Power Requirements		
Power Input	9-30VDC	
Power Supply (Included)	North America: 12VDC/.5A max out; 120VAC in (wall mount); International: 12VDC/.5A max out; 100-240VAC in (small brick)	
Power Consumption	Typical: 4 W; Max: 6 W	
Surge Protection	4 kV burst (EFT) per EN61000-4-4, 2 kV surge per EN61000-4-5	
Environmental		
Operating Temperature	-0° C to +50° C (32° F to 122° F)	
Storage Temperature	-40° C to +85° C (-40° F to +185° F)	
Relative Humidity	5% to 90% (non-condensing)	
Ethernet Isolation	1500VAC min per IEEE802.3/ANSI X3.263	
Serial Port Protection (ESD)	+15 kV air 6 AP and +8 kV contact discharge per IEC 100-4-2	
Regulatory Approvals		
Safety	UL 60950-1, CAN/CSA C22.2 60950-1-03, IEC 60950-1 & CB	
Emissions/Immunity	CE, FCC Part 15 (Subpart B, Class B), EN55022 Class B, EN55024, AS/NZS 3548, VCCI V-3/99.05, EN61000-3-2	

PortServer TS M MEI - Front



PortServer TS M MEI - Back



Visit www.digi.com for part numbers.

DIGI SERVICE AND SUPPORT - You can purchase with confidence knowing that Digi is here to support you with expert technical support and a strong five-year warranty. www.digi.com/support

Digi International
877-912-3444
952-912-3444
info@digi.com

Digi International France
+33-1-55-61-98-98
www.digi.fr

Digi International KK
+81-3-5428-0261
www.digi-intl.co.jp

Digi International (HK) Limited
+852-2833-1008
www.digi.cn

BUY ONLINE • www.digi.com

91001260
E1/909

© 2004-2009 Digi International Inc. All rights reserved. Digi, Digi International, the Digi logo, PortServer and RealPort are trademarks or registered trademarks of Digi International Inc. in the United States and other countries worldwide. All other trademarks are the property of their respective owners.

