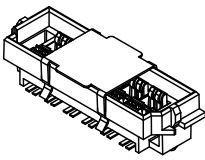
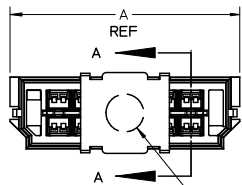
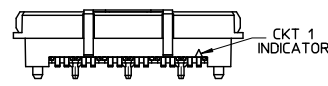
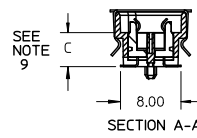
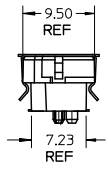
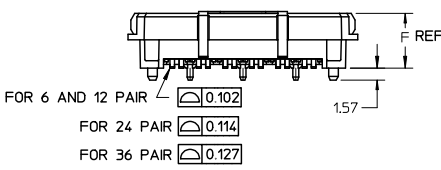


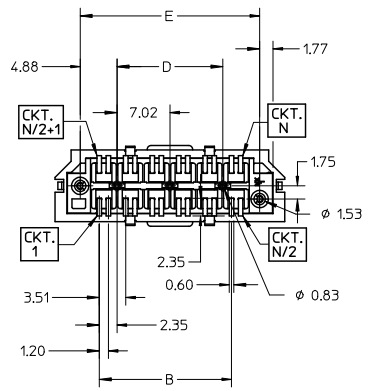
10 9 8 7 6 5 4 3 2 1



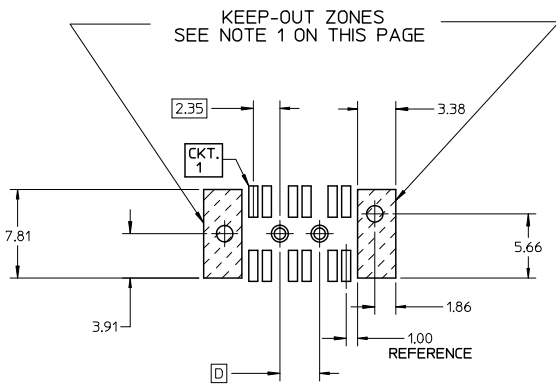
- NOTES:
- 1) MATERIALS:  
HOUSING - LIQUID CRYSTAL POLYMER, UL94 V-0, NATURAL  
CHICKLET - LIQUID CRYSTAL POLYMER, UL94 V-0, BLACK  
CONTACT - TIN BRASS
  - 2) CONTACT PLATING FINISH:  
0.76 MICRON MIN. SELECT GOLD AND  
3.81 MICRON MIN. SELECT PURE TIN OVER  
1.27 MICRON MIN. NICKEL OVERALL
  - 3) HOUSING PLATING FINISH:  
0.10 MICRON MAX. IMMERSION GOLD OVER  
3.81 MICRON MIN. NICKEL OVER  
3.81 MICRON MIN. COPPER OVERALL
  - 4) 4.5mm 12 PAIR PLUG ASSEMBLY SHOWN.
  - 5) PART CONFORMS TO MOLEX COSMETIC SPECIFICATION PS-75005-002.
  - 6) PART PERFORMS TO MOLEX PRODUCT SPECIFICATION PS-75005-001.
  - 7) PACKAGE PER PK-75003-002.
  - 8) FOR AUTO-PLACEMENT APPLICATIONS: PCB ORIENTATION HOLE TO BE  $\phi 1.65 \pm 0.05$   
FOR HAND PLACEMENT APPLICATIONS: PCB ORIENTATION HOLE TO BE  $\phi 1.45 \pm 0.05$
  - 9) THIS DIMENSION CONTROLS THE STACK HEIGHT OF THE MATED CONNECTORS.
  - 10) PLEASE REFER TO MOLEX APPLICATION SPECIFICATION AS-75005-001 FOR SUITABLE PROCESSING TEMPERATURES, PERMISSIBLE OFFSETS, AND MATING SEQUENCES.
  - 11) THESE PLATED THRU HOLES SHOULD BE CONNECTED TO SIGNAL GROUND.
  - 12) THIS PART MATES WITH THE 75005 RECEPTACLE.
  - 13) THIS PART IS RECOMMENDED TO BE PLACED ON THE MEZZANINE CARD.
  - 14) HOUSING IS CONDUCTIVE, UNINSULATED TRACES MUST BE KEPT OUT OF KEEP-OUT ZONE.
  - 15) EACH SIDE IS MEASURED TO A COMMON DATUM WITH-IN A COPLANARITY OF 0.102mm FOR 6 AND 12 PAIR, 0.114mm FOR 24 PAIR AND 0.127mm FOR 36 PAIR, THE SIDES MAY VARY TO EACH OTHER BY 0.05mm MAX.



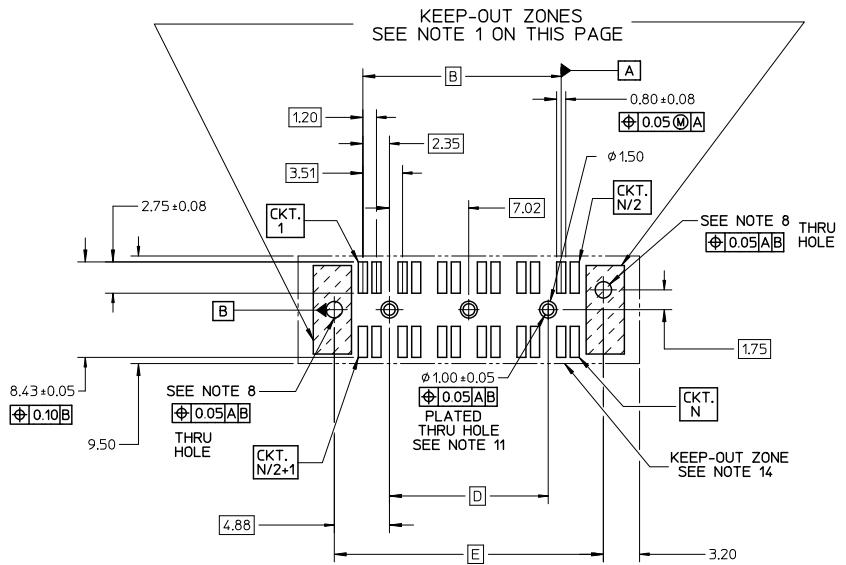
N SURFACES  
N = # OF CIRCUITS  
(SEE NOTE 15)



| <b>ADD PKG DETAILS</b><br>EC NO: UCP2010-1785<br>DRAWN BY: BARBA 2010/01/27<br>CHKD: DANIELLEY 2001/10/25<br>APPR: SMILLER 2010/01/28 | QUALITY SYMBOLS<br>$\nabla=0$<br>$\nabla=0$<br>$\nabla=0$ | GENERAL TOLERANCES (UNLESS SPECIFIED)   |           | DIMENSION STYLE<br>MM ONLY |    | SCALE<br>2:1 | DESIGN UNITS<br>METRIC | THIRD ANGLE PROJECTION |           |          |           |           |          |            |           |         |            |           |                                     |  |  |  |  |  |
|---|---|---|-----------|----------------------------|----|--------------|------------------------|------------------------|-----------|----------|-----------|-----------|----------|------------|-----------|---------|------------|-----------|-------------------------------------|--|--|--|--|--|
|   |   | <table border="1"> <tr> <th></th> <th>mm</th> <th>INCH</th> </tr> <tr> <td>4 PLACES</td> <td><math>\pm</math> ---</td> <td><math>\pm</math> ---</td> </tr> <tr> <td>3 PLACES</td> <td><math>\pm</math> ---</td> <td><math>\pm</math> ---</td> </tr> <tr> <td>2 PLACES</td> <td><math>\pm 0.13</math></td> <td><math>\pm</math> ---</td> </tr> <tr> <td>1 PLACE</td> <td><math>\pm 0.25</math></td> <td><math>\pm</math> ---</td> </tr> </table> |           |                            | mm | INCH         | 4 PLACES               | $\pm$ ---              | $\pm$ --- | 3 PLACES | $\pm$ --- | $\pm$ --- | 2 PLACES | $\pm 0.13$ | $\pm$ --- | 1 PLACE | $\pm 0.25$ | $\pm$ --- | DRAWN BY DATE<br>KSTILES 2001/10/24 |  | TITLE<br>SALES DRAWING FOR HIGH SPEED MEZZANINE PLUG |  |  |  |
|   |   |   | mm        | INCH                       |    |              |                        |                        |           |          |           |           |          |            |           |         |            |           |                                     |  |  |  |  |  |
|   |   | 4 PLACES  | $\pm$ --- | $\pm$ ---                  |    |              |                        |                        |           |          |           |           |          |            |           |         |            |           |                                     |  |  |  |  |  |
| 3 PLACES  | $\pm$ ---   | $\pm$ ---   |           |                            |    |              |                        |                        |           |          |           |           |          |            |           |         |            |           |                                     |  |  |  |  |  |
| 2 PLACES  | $\pm 0.13$  | $\pm$ ---   |           |                            |    |              |                        |                        |           |          |           |           |          |            |           |         |            |           |                                     |  |  |  |  |  |
| 1 PLACE   | $\pm 0.25$  | $\pm$ ---   |           |                            |    |              |                        |                        |           |          |           |           |          |            |           |         |            |           |                                     |  |  |  |  |  |
| DRAFT WHERE APPLICABLE MUST REMAIN WITHIN DIMENSIONS  |   | APPROVED BY DATE<br>SMILLER 2010/01/28  |           | MOLEX INCORPORATED         |    |              |                        |                        |           |          |           |           |          |            |           |         |            |           |                                     |  |  |  |  |  |
| MATERIAL NO.<br>SEE TABLE   |   | DOCUMENT NO.<br>SD-75003-001  |           | SHEET NO.<br>1 OF 8        |    |              |                        |                        |           |          |           |           |          |            |           |         |            |           |                                     |  |  |  |  |  |



COMPONENT SIDE SHOWN  
 RECOMMENDED PCB THICKNESS: 157mm  
 FOR 12 CIRCUIT OPTION.  
 FOR DIMENSIONS NOT SHOWN REFER TO  
 THE 24-72 CIRCUIT PCB LAYOUT.



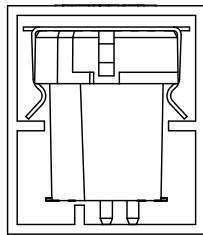
COMPONENT SIDE SHOWN  
 RECOMMENDED PCB THICKNESS: 157mm  
 FOR CIRCUIT SIZES FROM 24-72 CIRCUITS.

UNLESS OTHERWISE SPECIFIED, DIMENSIONS ARE COMMON TO BOTH VIEWS

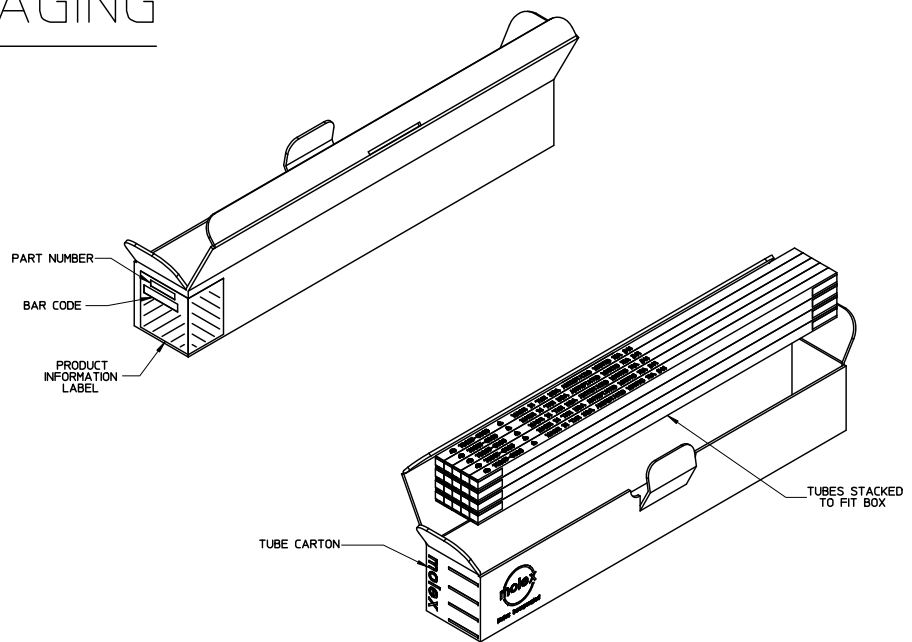
NOTE:  
 1. NO FEATURES (INCLUDING SOLDER PASTE) WHICH RISE  
 ABOVE THE PCB SURFACE ALLOWED IN THIS AREA.

|   |   |                                       |                        |                            |  |                    |   |                        |  |
|---|---|---------------------------------------|------------------------|----------------------------|--|--------------------|---|------------------------|--|
| SEE SHEET 1<br>IEC NO: UCP2010-1785<br>DRAWN BY: IBARRA 2010/01/22<br>CHKD: SDANNELLEY 2010/10/25<br>APPR: SMILLER 2010/01/28 | QUALITY SYMBOLS<br>$\nabla=0$<br>$\nabla=0$<br>$\nabla=0$ | GENERAL TOLERANCES (UNLESS SPECIFIED) |                        | DIMENSION STYLE<br>MM ONLY |  | SCALE<br>3:1       | DESIGN UNITS<br>METRIC  | THIRD ANGLE PROJECTION |  |
|   |   |                                       | mm                     | INCH                       | DRAWN BY<br>KSTILES  | DATE<br>2001/10/24 | TITLE<br><b>SALES DRAWING FOR<br/>         HIGH SPEED MEZZANINE<br/>         PLUG</b><br><b>MOLEX INCORPORATED</b><br>MATERIAL NO. SEE TABLE<br>DOCUMENT NO. SD-75003-001<br>SHEET NO. 2 OF 8 |                        |  |
|   |   | 4 PLACES                              | ± ---                  | ± ---                      | CHECKED BY<br>KREGNIER                                     | DATE<br>2001/10/25 |   |                        |  |
|   |   | 3 PLACES                              | ± ---                  | ± ---                      | APPROVED BY  | DATE<br>2010/01/28 |   |                        |  |
| 2 PLACES  | ± 0.13  | ± ---                                 | MATERIAL NO. SEE TABLE |                            |  |                    |   |                        |  |
| 1 PLACE   | ± 0.25  | ± ---                                 | ANGULAR ±1/2°          |                            | DRAFT WHERE APPLICABLE<br>MUST REMAIN<br>WITHIN DIMENSIONS |                    | THIS DRAWING CONTAINS INFORMATION THAT IS PROPRIETARY TO MOLEX<br>INCORPORATED AND SHOULD NOT BE USED WITHOUT WRITTEN PERMISSION  |                        |  |

# TUBE PACKAGING



ORIENTATION OF PART IN TUBE



|  |                       |                                       |   |   |              |                        |
|--|-----------------------|---------------------------------------|---|---|--------------|------------------------|
| SEE SHEET 1<br>EC NO: UCP2010-1785<br>DRWNS:BARRA 2010/01/22<br>CHKD:SDANNELLY 2001/10/25<br>APPR:SMILLER 2010/01/28 | QUALITY SYMBOLS       | GENERAL TOLERANCES (UNLESS SPECIFIED) | DIMENSION STYLE   | SCALE                                       | DESIGN UNITS | THIRD ANGLE PROJECTION |
|  | ▽=0                   | mm INCH                               | MM ONLY   | 3:1   | METRIC       |                        |
|  | ▽=0                   | 4 PLACES ± --- ± ---                  | DRAWN BY DATE   | TITLE                                       |              |                        |
|  | ▽=0                   | 3 PLACES ± --- ± ---                  | KSTILES 2001/10/24  | SALES DRAWING FOR HIGH SPEED MEZZANINE PLUG |              |                        |
|  | 2 PLACES ± 0.13 ± --- | CHECKED BY DATE                       | MATERIAL NO.  |   |              |                        |
|  | 1 PLACE ± 0.25 ± ---  | KREGNIER 2001/10/25                   | SD-75003-001  |   |              |                        |
|  | ANGULAR ± 1/2°        | APPROVED BY DATE                      | DOCUMENT NO.  |   |              |                        |
|  |                       | SMILLER 2010/01/28                    | SD-75003-001  |   |              |                        |
|  |                       |                                       | SHEET NO.   |   |              |                        |
|  |                       |                                       | 3 OF 8  |   |              |                        |
|  |                       |                                       | THIS DRAWING CONTAINS INFORMATION THAT IS PROPRIETARY TO MOLEX INCORPORATED AND SHOULD NOT BE USED WITHOUT WRITTEN PERMISSION |   |              |                        |

10 9 8 7 6 5 4 3 2 1

F

E

D

C

B

A

F

E

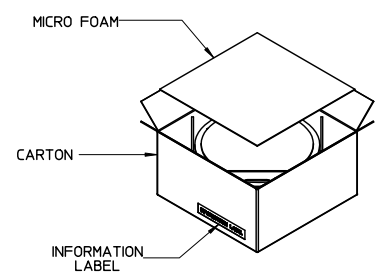
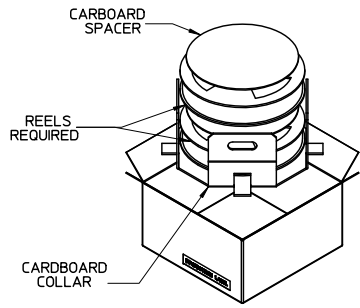
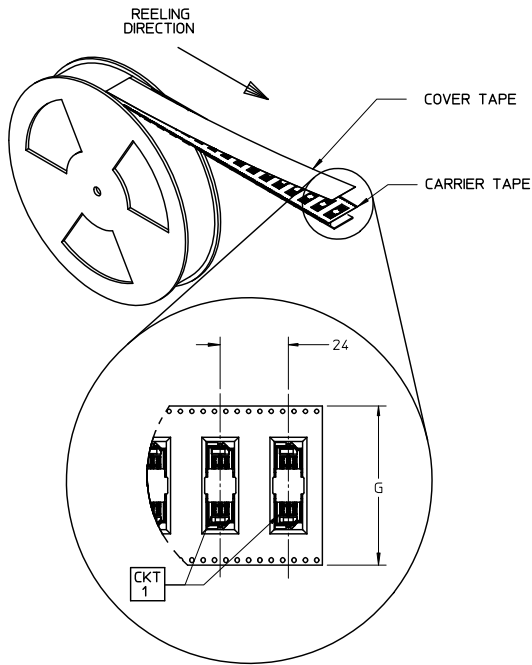
D

C

B

A

# TAPE AND REEL PACKAGING



|  |  |   |                 |              |   |   |  |
|--|--|---|-----------------|--------------|---|---|--|
| SEE SHEET 1<br>EC NO: UCP2010-1785<br>DRWNS:BARRA 2010/01/22<br>CHKD:SMALLEY 2011/10/25<br>APPR:SMILLER 2010/01/28 | QUALITY SYMBOLS                        | GENERAL TOLERANCES (UNLESS SPECIFIED)   | DIMENSION STYLE | SCALE        | DESIGN UNITS  | THIRD ANGLE PROJECTION  |  |
|  | $\nabla=0$<br>$\nabla=0$<br>$\nabla=0$ | mm    INCH<br>4 PLACES ± --- ± ---<br>3 PLACES ± --- ± ---<br>2 PLACES ± 0.13 ± ---<br>1 PLACE ± 0.25 ± ---<br>ANGULAR ± 1/2° | MM ONLY         | 2:1          | METRIC  | DRAWN BY: KSTILES<br>DATE: 2001/10/24<br>CHECKED BY: KREGNIER<br>DATE: 2001/10/25<br>APPROVED BY: SMILLER<br>DATE: 2010/01/28 | TITLE: SALES DRAWING FOR HIGH SPEED MEZZANINE PLUG<br>MOLEX INCORPORATED |
|  | DESCRIPTION                            | DRAFT WHERE APPLICABLE MUST REMAIN WITHIN DIMENSIONS  | SEE TABLE       | MATERIAL NO. | DOCUMENT NO.  | SHEET NO.   |  |
|  | REV                                    |   |                 | SIZE B       | THIS DRAWING CONTAINS INFORMATION THAT IS PROPRIETARY TO MOLEX INCORPORATED AND SHOULD NOT BE USED WITHOUT WRITTEN PERMISSION |   | 4 OF 8   |

tb\_frame\_B\_P\_AM\_T  
Rev. F 2009/06/18

9 8 7 6 5 4 3 2 1

10 9 8 7 6 5 4 3 2 1

# PACKAGED IN TUBES

| NUMBER OF CIRCUITS | NUMBER OF DIFFERENTIAL PAIRS | MATERIAL NUMBER | A     | B     | C     | D     | E     | F     | PARTS PER TUBE |
|--------------------|------------------------------|-----------------|-------|-------|-------|-------|-------|-------|----------------|
| 12                 | 6                            | NOT TOOLED      | 19.93 | 7.02  | 4.50  | 3.52  | 13.27 | 7.25  | NOT TOOLED     |
| 12                 | 6                            | 750030305       | 19.93 | 7.02  | 5.50  | 3.52  | 13.27 | 8.25  | 28             |
| 12                 | 6                            | NOT TOOLED      | 19.93 | 7.02  | 6.50  | 3.52  | 13.27 | 9.25  | NOT TOOLED     |
| 12                 | 6                            | 750030308       | 19.93 | 7.02  | 8.50  | 3.52  | 13.27 | 11.25 | 28             |
| 12                 | 6                            | 750030310       | 19.93 | 7.02  | 10.50 | 3.52  | 13.27 | 13.25 | 28             |
| 12                 | 6                            | NOT TOOLED      | 19.93 | 7.02  | 12.50 | 3.52  | 13.27 | 15.25 | NOT TOOLED     |
| 24                 | 12                           | NOT TOOLED      | 30.46 | 17.55 | 4.50  | 14.05 | 23.80 | 7.25  | NOT TOOLED     |
| 24                 | 12                           | 750030005       | 30.46 | 17.55 | 5.50  | 14.05 | 23.80 | 8.25  | 18             |
| 24                 | 12                           | NOT TOOLED      | 30.46 | 17.55 | 6.50  | 14.05 | 23.80 | 9.25  | NOT TOOLED     |
| 24                 | 12                           | 750030008       | 30.46 | 17.55 | 8.50  | 14.05 | 23.80 | 11.25 | 18             |
| 24                 | 12                           | 750030010       | 30.46 | 17.55 | 10.50 | 14.05 | 23.80 | 13.25 | 18             |
| 24                 | 12                           | NOT TOOLED      | 30.46 | 17.55 | 12.50 | 14.05 | 23.80 | 15.25 | NOT TOOLED     |

| SEE SHEET 1<br>EC NO: UCP2010-1785<br>DRAWN BY: BARRA 2010/01/27<br>CHKD: SPANLEY 2011/10/25<br>APPR: SMILLER 2010/01/28<br>H<br>REV | QUALITY SYMBOLS<br>√=0<br>∇=0<br>∇=0 | GENERAL TOLERANCES (UNLESS SPECIFIED)<br><table border="1" style="width: 100%; border-collapse: collapse;"> <tr> <th></th> <th>mm</th> <th>INCH</th> </tr> <tr> <td>4 PLACES</td> <td>± ---</td> <td>± ---</td> </tr> <tr> <td>3 PLACES</td> <td>± ---</td> <td>± ---</td> </tr> <tr> <td>2 PLACES</td> <td>± 0.13</td> <td>± ---</td> </tr> <tr> <td>1 PLACE</td> <td>± 0.25</td> <td>± ---</td> </tr> <tr> <td colspan="3" style="text-align: center;">ANGULAR ±1/2°</td> </tr> </table> |       | mm                        | INCH  | 4 PLACES | ± ---               | ± --- | 3 PLACES | ± --- | ± --- | 2 PLACES | ± 0.13 | ± --- | 1 PLACE | ± 0.25 | ± --- | ANGULAR ±1/2° |  |  | DIMENSION STYLE<br>MM ONLY<br>DRAWN BY: KSTILES<br>DATE: 2001/10/24<br>CHECKED BY: KREGNIER<br>DATE: 2001/10/25<br>APPROVED BY: SMILLER<br>DATE: 2010/01/28 | SCALE<br>2:1 | DESIGN UNITS<br>METRIC | THIRD ANGLE PROJECTION | TITLE<br>SALES DRAWING FOR<br>HIGH SPEED MEZZANINE<br>PLUG |
|--|--------------------------------------|--|-------|---------------------------|---|----------|---------------------|-------|----------|-------|-------|----------|--------|-------|---------|--------|-------|---------------|--|--|---|--------------|------------------------|------------------------|--|
|  |                                      | mm   | INCH  |                           |   |          |                     |       |          |       |       |          |        |       |         |        |       |               |  |  |   |              |                        |                        |  |
|  | 4 PLACES                             | ± ---  | ± --- |                           |   |          |                     |       |          |       |       |          |        |       |         |        |       |               |  |  |   |              |                        |                        |  |
|  | 3 PLACES                             | ± ---  | ± --- |                           |   |          |                     |       |          |       |       |          |        |       |         |        |       |               |  |  |   |              |                        |                        |  |
| 2 PLACES   | ± 0.13                               | ± ---  |       |                           |   |          |                     |       |          |       |       |          |        |       |         |        |       |               |  |  |   |              |                        |                        |  |
| 1 PLACE  | ± 0.25                               | ± ---  |       |                           |   |          |                     |       |          |       |       |          |        |       |         |        |       |               |  |  |   |              |                        |                        |  |
| ANGULAR ±1/2°  |                                      |  |       |                           |   |          |                     |       |          |       |       |          |        |       |         |        |       |               |  |  |   |              |                        |                        |  |
|  |                                      | DRAFT WHERE APPLICABLE MUST REMAIN WITHIN DIMENSIONS   |       | MATERIAL NO.<br>SEE TABLE | MOLEX INCORPORATED<br>DOCUMENT NO. SD-75003-001 |          | SHEET NO.<br>5 OF 8 |       |          |       |       |          |        |       |         |        |       |               |  |  |   |              |                        |                        |  |
| THIS DRAWING CONTAINS INFORMATION THAT IS PROPRIETARY TO MOLEX INCORPORATED AND SHOULD NOT BE USED WITHOUT WRITTEN PERMISSION        |                                      |  |       |                           |   |          |                     |       |          |       |       |          |        |       |         |        |       |               |  |  |   |              |                        |                        |  |
|  |                                      |  |       |                           |   |          |                     |       |          |       |       |          |        |       |         |        |       |               |  |  |   |              |                        |                        |  |

9 8 7 6 5 4 3 2 1

# PACKAGED IN TUBES

| NUMBER OF CIRCUITS | NUMBER OF DIFFERENTIAL PAIRS | MATERIAL NUMBER | A     | B     | C     | D     | E     | F     | PARTS PER TUBE |
|--------------------|------------------------------|-----------------|-------|-------|-------|-------|-------|-------|----------------|
| 48                 | 24                           | NOT TOOLED      | 51.52 | 38.61 | 4.50  | 35.11 | 44.86 | 7.25  | NOT TOOLED     |
| 48                 | 24                           | 750030105       | 51.52 | 38.61 | 5.50  | 35.11 | 44.86 | 8.25  | 10             |
| 48                 | 24                           | NOT TOOLED      | 51.52 | 38.61 | 6.50  | 35.11 | 44.86 | 9.25  | NOT TOOLED     |
| 48                 | 24                           | NOT TOOLED      | 51.52 | 38.61 | 8.50  | 35.11 | 44.86 | 11.25 | NOT TOOLED     |
| 48                 | 24                           | 750030110       | 51.52 | 38.61 | 10.50 | 35.11 | 44.86 | 13.25 | 10             |
| 48                 | 24                           | NOT TOOLED      | 51.52 | 38.61 | 12.50 | 35.11 | 44.86 | 15.25 | NOT TOOLED     |
| 72                 | 36                           | NOT TOOLED      | 72.58 | 59.67 | 4.50  | 56.17 | 65.92 | 7.25  | NOT TOOLED     |
| 72                 | 36                           | 750030205       | 72.58 | 59.67 | 5.50  | 56.17 | 65.92 | 8.25  | 7              |
| 72                 | 36                           | NOT TOOLED      | 72.58 | 59.67 | 6.50  | 56.17 | 65.92 | 9.25  | NOT TOOLED     |
| 72                 | 36                           | NOT TOOLED      | 72.58 | 59.67 | 8.50  | 56.17 | 65.92 | 11.25 | NOT TOOLED     |
| 72                 | 36                           | 750030210       | 72.58 | 59.67 | 10.50 | 56.17 | 65.92 | 13.25 | 7              |
| 72                 | 36                           | NOT TOOLED      | 72.58 | 59.67 | 12.50 | 56.17 | 65.92 | 15.25 | NOT TOOLED     |

|   |                                      |                                       |  |                            |                        |   |  |                        |  |
|---|--------------------------------------|---------------------------------------|--|----------------------------|------------------------|---|--|------------------------|--|
| SEE SHEET 1<br>EC NO. UCP2010-1785<br>DRAWN BY BARBA 2010/01/22<br>CHKD: DANIELLEY 2001/10/25<br>APPR: SMILLER 2010/01/28 | QUALITY SYMBOLS<br>√=0<br>√=0<br>√=0 | GENERAL TOLERANCES (UNLESS SPECIFIED) |  | DIMENSION STYLE<br>MM ONLY |                        | SCALE<br>3:1  | DESIGN UNITS<br>METRIC   | THIRD ANGLE PROJECTION |  |
|   |                                      |                                       | mm   | INCH                       | DRAWN BY<br>KSTILES    | DATE<br>2001/10/24  | TITLE<br>SALES DRAWING FOR<br>HIGH SPEED MEZZANINE<br>PLUG<br>MOLEX INCORPORATED |                        |  |
|   |                                      | 4 PLACES                              | ± ---  | ± ---                      | CHECKED BY<br>KREGNIER | DATE<br>2001/10/25  |  |                        |  |
|   |                                      | 3 PLACES                              | ± ---  | ± ---                      | APPROVED BY<br>SMILLER | DATE<br>2010/01/28  |  |                        |  |
| 2 PLACES  | ± 0.13                               | ± ---                                 | ANGULAR ± 1/2°   |                            | MATERIAL NO.           | DOCUMENT NO.  | SHEET NO.  |                        |  |
| 1 PLACE   | ± 0.25                               | ± ---                                 | DRAFT WHERE APPLICABLE<br>MUST REMAIN<br>WITHIN DIMENSIONS |                            | SEE TABLE              | SD-75003-001  | 6 OF 8   |                        |  |
|   |                                      |                                       |  |                            | SIZE<br>B              | THIS DRAWING CONTAINS INFORMATION THAT IS PROPRIETARY TO MOLEX INCORPORATED AND SHOULD NOT BE USED WITHOUT WRITTEN PERMISSION |  |                        |  |

# PACKAGED IN TAPE AND REEL

| NUMBER OF CIRCUITS | NUMBER OF DIFFERENTIAL PAIRS | MATERIAL NUMBER | A     | B     | C     | D     | E     | F     | CARRIER TAPE WIDTH G | PARTS PER REEL |
|--------------------|------------------------------|-----------------|-------|-------|-------|-------|-------|-------|----------------------|----------------|
| 12                 | 6                            | NOT TOOLED      | 19.93 | 7.02  | 4.50  | 3.52  | 13.27 | 7.25  | NOT TOOLED           |                |
| 12                 | 6                            | 750032305       | 19.93 | 7.02  | 5.50  | 3.52  | 13.27 | 8.25  | NOT TOOLED           |                |
| 12                 | 6                            | NOT TOOLED      | 19.93 | 7.02  | 6.50  | 3.52  | 13.27 | 9.25  | NOT TOOLED           |                |
| 12                 | 6                            | 750032308       | 19.93 | 7.02  | 8.50  | 3.52  | 13.27 | 11.25 | NOT TOOLED           |                |
| 12                 | 6                            | 750032310       | 19.93 | 7.02  | 10.50 | 3.52  | 13.27 | 13.25 | NOT TOOLED           |                |
| 12                 | 6                            | NOT TOOLED      | 19.93 | 7.02  | 12.50 | 3.52  | 13.27 | 15.25 | NOT TOOLED           |                |
| 24                 | 12                           | NOT TOOLED      | 30.46 | 17.55 | 4.50  | 14.05 | 23.80 | 7.25  | NOT TOOLED           |                |
| 24                 | 12                           | 750032005       | 30.46 | 17.55 | 5.50  | 14.05 | 23.80 | 8.25  | NOT TOOLED           |                |
| 24                 | 12                           | NOT TOOLED      | 30.46 | 17.55 | 6.50  | 14.05 | 23.80 | 9.25  | NOT TOOLED           |                |
| 24                 | 12                           | 750032008       | 30.46 | 17.55 | 8.50  | 14.05 | 23.80 | 11.25 | 56                   | 186            |
| 24                 | 12                           | 750032010       | 30.46 | 17.55 | 10.50 | 14.05 | 23.80 | 13.25 | NOT TOOLED           |                |
| 24                 | 12                           | NOT TOOLED      | 30.46 | 17.55 | 12.50 | 14.05 | 23.80 | 15.25 | NOT TOOLED           |                |

|  |                                      |                                       |  |                            |                        |                    |  |                        |              |           |
|--|--------------------------------------|---------------------------------------|--|----------------------------|------------------------|--------------------|--|------------------------|--------------|-----------|
| SEE SHEET 1<br>EC NO: UCP2010-1785<br>DRAWN BY: BARRA 2010/01/27<br>CHKD: SPANLEY 2010/01/25<br>APPR: SMILLER 2010/01/28 | QUALITY SYMBOLS<br>√=0<br>√=0<br>√=0 | GENERAL TOLERANCES (UNLESS SPECIFIED) |  | DIMENSION STYLE<br>MM ONLY |                        | SCALE<br>3:1       | DESIGN UNITS<br>METRIC                                     | THIRD ANGLE PROJECTION |              |           |
|  |                                      |                                       | mm   | INCH                       | DRAWN BY<br>KSTILES    | DATE<br>2001/10/24 | TITLE<br>SALES DRAWING FOR<br>HIGH SPEED MEZZANINE<br>PLUG |                        |              |           |
|  |                                      | 4 PLACES ± --- ± ---                  |  |                            | CHECKED BY<br>KREGNIER | DATE<br>2001/10/25 |  |                        |              |           |
|  |                                      | 3 PLACES ± --- ± ---                  |  |                            | APPROVED BY<br>SMILLER | DATE<br>2010/01/28 | MATERIAL NO.   |                        | DOCUMENT NO. | SHEET NO. |
| 2 PLACES ± 0.13 ± ---  |                                      |                                       | DRAFT WHERE APPLICABLE<br>MUST REMAIN<br>WITHIN DIMENSIONS   |                            | SEE TABLE              |                    | SD-75003-001   | 7 OF 8                 |              |           |
| 1 PLACE ± 0.25 ± ---   |                                      |                                       | THIS DRAWING CONTAINS INFORMATION THAT IS PROPRIETARY TO MOLEX<br>INCORPORATED AND SHOULD NOT BE USED WITHOUT WRITTEN PERMISSION |                            |                        |                    |  |                        |              |           |
| ANGULAR ±1/2°  |                                      |                                       |  |                            |                        |                    |  |                        |              |           |

# PACKAGED IN TAPE AND REEL

| NUMBER OF CIRCUITS | NUMBER OF DIFFERENTIAL PAIRS | MATERIAL NUMBER | A     | B     | C     | D     | E     | F     | CARRIER TAPE WIDTH G | PARTS PER REEL |
|--------------------|------------------------------|-----------------|-------|-------|-------|-------|-------|-------|----------------------|----------------|
| 48                 | 24                           | NOT TOOLED      | 51.52 | 38.61 | 4.50  | 35.11 | 44.86 | 7.25  | NOT TOOLED           |                |
| 48                 | 24                           | 750032105       | 51.52 | 38.61 | 5.50  | 35.11 | 44.86 | 8.25  | 72                   | 260            |
| 48                 | 24                           | NOT TOOLED      | 51.52 | 38.61 | 6.50  | 35.11 | 44.86 | 9.25  | NOT TOOLED           |                |
| 48                 | 24                           | NOT TOOLED      | 51.52 | 38.61 | 8.50  | 35.11 | 44.86 | 11.25 | NOT TOOLED           |                |
| 48                 | 24                           | 750032110       | 51.52 | 38.61 | 10.50 | 35.11 | 44.86 | 13.25 | 72                   | 160            |
| 48                 | 24                           | NOT TOOLED      | 51.52 | 38.61 | 12.50 | 35.11 | 44.86 | 15.25 | NOT TOOLED           |                |
| 72                 | 36                           | NOT TOOLED      | 72.58 | 59.67 | 4.50  | 56.17 | 65.92 | 7.25  | NOT TOOLED           |                |
| 72                 | 36                           | 750032205       | 72.58 | 59.67 | 5.50  | 56.17 | 65.92 | 8.25  | NOT TOOLED           |                |
| 72                 | 36                           | NOT TOOLED      | 72.58 | 59.67 | 6.50  | 56.17 | 65.92 | 9.25  | NOT TOOLED           |                |
| 72                 | 36                           | NOT TOOLED      | 72.58 | 59.67 | 8.50  | 56.17 | 65.92 | 11.25 | NOT TOOLED           |                |
| 72                 | 36                           | 750032210       | 72.58 | 59.67 | 10.50 | 56.17 | 65.92 | 13.25 | NOT TOOLED           |                |
| 72                 | 36                           | NOT TOOLED      | 72.58 | 59.67 | 12.50 | 56.17 | 65.92 | 15.25 | NOT TOOLED           |                |

|  |                                      |  |                      |   |                      |                    |                        |  |  |                     |  |
|--|--------------------------------------|--|----------------------|---|----------------------|--------------------|------------------------|--|--|---------------------|--|
| ADD PKG DETAILS<br>EC NO: UCP2010-1785<br>DRWNS: BARRA 2010/01/22<br>CHKD: DANIELLY 2011/10/25<br>APPR: SMILLER 2010/01/28 | QUALITY SYMBOLS<br>∇=0<br>∇=0<br>∇=0 | GENERAL TOLERANCES (UNLESS SPECIFIED)                |                      | DIMENSION STYLE<br>MM ONLY  |                      | SCALE<br>3:1       | DESIGN UNITS<br>METRIC | THIRD ANGLE PROJECTION                               |  |                     |  |
|  |                                      | 4 PLACES ± --- ± ---                                 | 3 PLACES ± --- ± --- | 2 PLACES ± 0.13 ± ---   | 1 PLACE ± 0.25 ± --- | mm                 | INCH                   | TITLE<br>SALES DRAWING FOR HIGH SPEED MEZZANINE PLUG |  |                     |  |
|  |                                      | ANGULAR ± 1/2°                                       |                      | DRAWN BY<br>KSTILES   |                      | DATE<br>2001/10/24 |                        | CHECKED BY<br>KREGNIER                               |  |                     |  |
|  |                                      | DRAFT WHERE APPLICABLE MUST REMAIN WITHIN DIMENSIONS |                      | APPROVED BY<br>SMILLER  |                      | DATE<br>2010/01/28 |                        | MATERIAL NO.<br>SD-75003-001                         |  |                     |  |
|  |                                      | SIZE<br>B  |                      | THIS DRAWING CONTAINS INFORMATION THAT IS PROPRIETARY TO MOLEX INCORPORATED AND SHOULD NOT BE USED WITHOUT WRITTEN PERMISSION |                      |                    |                        | DOCUMENT NO.<br>SD-75003-001                         |  | SHEET NO.<br>8 OF 8 |  |