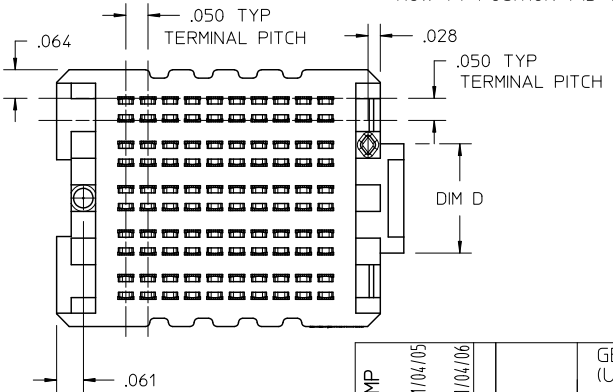
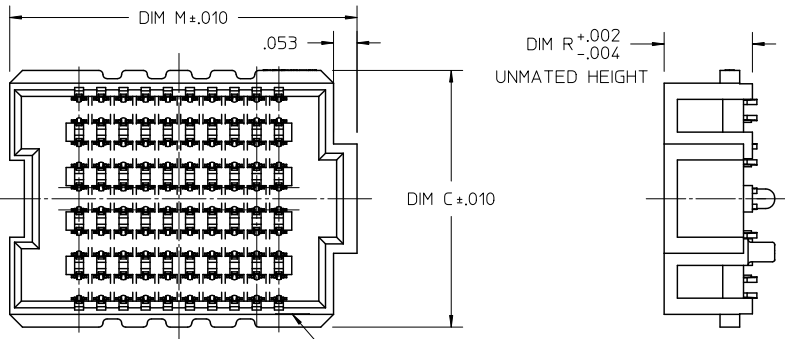
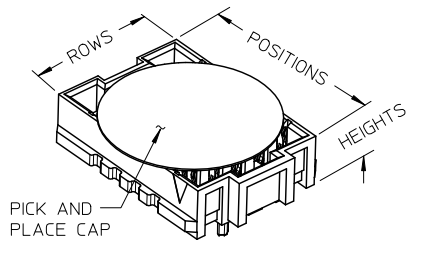


SEE TABLE  
ACROSS ALL  
SOLDER CHARGES

LEAD CODE:  
1 = TIN  
2 = TIN / LEAD



POSITION	HEIGHT
19	.006
10	.006
20	.006
30	.006
40	.006
50	.006
15	.006
25	.006
35	.009
45	.009



- NOTES:
- MATERIALS: HOUSING: LCP, UL94V-0, BLACK  
CONTACTS: COPPER ALLOY  
SOLDER CHARGE: SEE CHART
  - FINISH: ALL DIM R HEIGHT OPTIONS - SELECT GOLD IN CONTACT AREA: 30 MI MIN  
DIM R HEIGHT OPTIONS 5.0: SELECT GOLD FLASH IN TAIL, 7 MI MIN  
DIM R HEIGHT OPTIONS 6.0 THRU 8.0: SELECT TIN IN TAIL, 100 MI MIN  
ALL DIM R HEIGHT OPTIONS - OVER NICKEL
  - PRODUCT SPECIFICATION: PS-45970-001
  - PACKAGING SPECIFICATION: SEE CHART
  - MATES WITH SEARAY PLUG ASSEMBLY 45970
  - APPLICATION SPECIFICATION: AS-45970-001
  - COSMETIC SPECIFICATION: PS-45499-002 CLASS B
  - PART STATUS: CONTACT MOLEX

ADDED SOLDER COMP	DESCRIPTION
EC NO: UCP2011-2778	2011/04/05
DRWN: TGREGOR I	2011/04/05
CHKD: JCOMERC I	2011/04/06
APPR: JCOMERC I	2011/04/06
REV	

GENERAL TOLERANCES (UNLESS SPECIFIED)	
	INCH
4 PLACES	± .005
3 PLACES	± .005
2 PLACES	± .005
1 PLACE	± .005
ANGULAR	± .005°

DRAFT WHERE APPLICABLE  
MUST REMAIN  
WITHIN DIMENSIONS

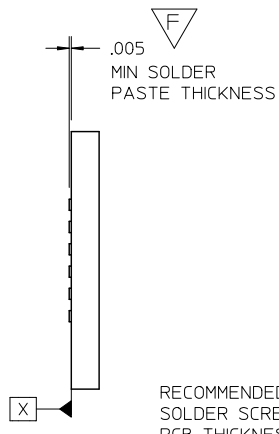
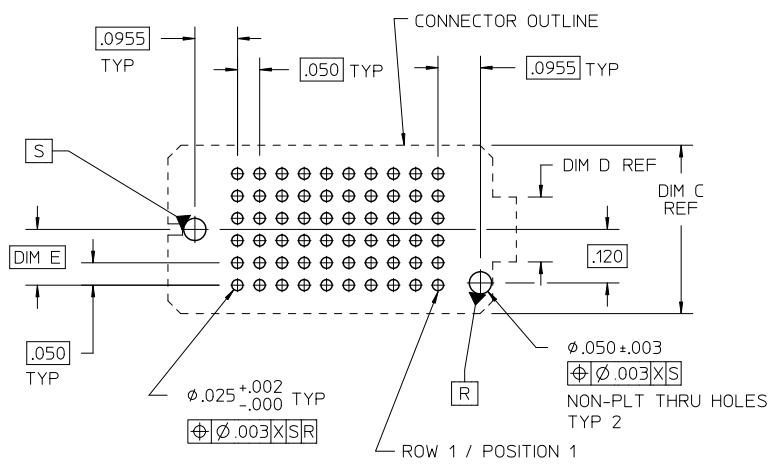
DIMENSION STYLE	
INCH ONLY	
DRAWN BY	DATE
TGREGOR I	2005/05/17
CHECKED BY	DATE
JCOMERC I	2005/05/17
APPROVED BY	DATE
JCOMERC I	2010/03/05
MATERIAL NO.	
SEE CHART	

SCALE	DESIGN UNITS	THIRD ANGLE PROJECTION
3:1	INCH	
TITLE		
SEARAY RECEPTACLE ASSEMBLY .050 CENTERS		
MOLEX INCORPORATED		
DOCUMENT NO.	SHEET NO.	
SD-45971-001	1 OF 10	

tb\_frame\_A\_P\_AM\_T  
Rev. E 2006/04/15

5 4 3 2 SD\_PACKAGE: CM-45971-001

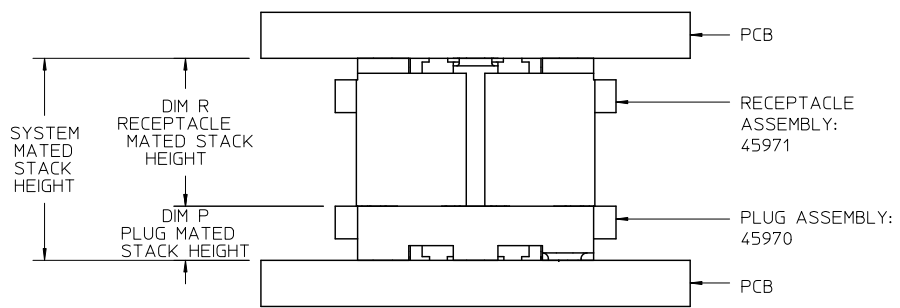
6 5 4 3 2 1



NO OF ROWS	DIM C	DIM D	DIM E
6	.378	.146	.125
8	.478	.146	.175
10	.578	.246	.225
12	.678	.346	.275

RECOMMENDED PCB LAYOUT: COMPONENT SIDE  
SOLDER SCREEN APERTURE SIZE: .035  
PCB THICKNESS: NA

		DIM R RECEPTACLE STACK HEIGHT					
		MM	5.0	6.0	6.5	7.5	8.0
DIM P PLUG STACK HEIGHT	2.0	7.0	8.0	8.5	9.5	10.0	10.0
	3.0	8.0	9.0	9.5	10.5	11.0	11.0
	3.5	8.5	9.5	10.0	11.0	11.5	11.5
	2.5	7.5	8.5	9.0	10.0	10.5	10.5
	4.5	9.5	10.5	11.0	12.0	12.5	12.5
	5.0	10.0	11.0	11.5	12.5	13.0	13.0
	7.0	12.0	13.0	13.5	14.5	15.0	15.0



STACK HEIGHTS GIVEN IN METRIC FOR REF ONLY

MATED STACK HEIGHTS (MILLIMETERS) REF

SEE SHEET 1 EC NO: UCP2011-2778 DRWN: TREGORI 2011/04/05 CHKD: APPR: JCOMERC I 2011/04/06 REV DESCRIPTION	GENERAL TOLERANCES (UNLESS SPECIFIED)		DIMENSION STYLE INCH ONLY		SCALE 3:1	DESIGN UNITS INCH	THIRD ANGLE PROJECTION	
		mm	INCH	DRAWN BY TREGORI	DATE 2005/05/17	TITLE		
	4 PLACES	±---	±---	CHECKED BY	DATE	SEARAY RECEPTACLE ASSEMBLY .050 CENTERS		
	3 PLACES	±---	±.005	JCOMERC I	2005/05/17			
	2 PLACES	±---	±---	APPROVED BY	DATE	MOLEX INCORPORATED		
1 PLACE	±---	±---	JCOMERC I	2010/03/05				
	ANGULAR ±---°		MATERIAL NO.	SEE CHARTS	DOCUMENT NO.	SD-45971-001		
DRAFT WHERE APPLICABLE MUST REMAIN WITHIN DIMENSIONS			SIZE A	THIS DRAWING CONTAINS INFORMATION THAT IS PROPRIETARY TO MOLEX INCORPORATED AND SHOULD NOT BE USED WITHOUT WRITTEN PERMISSION				SHEET NO. 2 OF 10

tb\_frame\_A\_P\_AM\_1  
Rev. E 2006/04/15

5 4 3 2 1

		6	5	4	3	2	1
DIM R: (REF)		5.0 MM	6.0 MM	6.5 MM	7.5 MM	8.0 MM	STACK HEIGHTS GIVEN IN METRIC FOR REF ONLY
DIM R: HOUSING HEIGHT		.199	.238	.258	.297	.317	
POSITION	DIM M	MATERIAL NO	MATERIAL NO	MATERIAL NO	MATERIAL NO	MATERIAL NO	
19	1.232	45971-0161	OBSOLETE	45971-0361	OBSOLETE	OBSOLETE	
10	0.782	OBSOLETE	OBSOLETE	OBSOLETE	OBSOLETE	OBSOLETE	
20	1.282	OBSOLETE	OBSOLETE	OBSOLETE	OBSOLETE	OBSOLETE	
30	1.782	OBSOLETE	OBSOLETE	OBSOLETE	OBSOLETE	OBSOLETE	
40	2.282	OBSOLETE	OBSOLETE	OBSOLETE	OBSOLETE	OBSOLETE	
50	2.782	OBSOLETE	OBSOLETE	OBSOLETE	OBSOLETE	OBSOLETE	
15	1.032	OBSOLETE	OBSOLETE	OBSOLETE	OBSOLETE	OBSOLETE	
25	1.532	OBSOLETE	OBSOLETE	OBSOLETE	OBSOLETE	OBSOLETE	
35	2.032	OBSOLETE	OBSOLETE	OBSOLETE	OBSOLETE	OBSOLETE	
45	2.532	OBSOLETE	OBSOLETE	OBSOLETE	OBSOLETE	OBSOLETE	

		5.0 MM	6.0 MM	6.5 MM	7.5 MM	8.0 MM
DIM R: (REF)		5.0 MM	6.0 MM	6.5 MM	7.5 MM	8.0 MM
DIM R: HOUSING HEIGHT		.199	.238	.258	.297	.317
POSITION	DIM M	MATERIAL NO	MATERIAL NO	MATERIAL NO	MATERIAL NO	MATERIAL NO
19	1.232	45971-0165	45971-0265	45971-0365	45971-0465	45971-0565
10	0.782	45971-1165	45971-1265	45971-1365	45971-1465	45971-1565
20	1.282	45971-2165	45971-2265	45971-2365	45971-2465	45971-2565
30	1.782	45971-3165	45971-3265	45971-3365	45971-3465	45971-3565
40	2.282	45971-4165	45971-4265	45971-4365	45971-4465	45971-4565
50	2.782	45971-5165	45971-5265	45971-5365	45971-5465	45971-5565
15	1.032	45971-6165	45971-6265	45971-6365	45971-6465	45971-6565
25	1.532	45971-7165	45971-7265	45971-7365	45971-7465	45971-7565
35	2.032	45971-8165	45971-8265	45971-8365	45971-8465	45971-8565
45	2.532	45971-9165	45971-9265	45971-9365	45971-9465	45971-9565

STACK HEIGHTS GIVEN IN METRIC FOR REF ONLY

NOTES:  
 1. THIS SHEET CONTAINS THE FOLLOWING OPTIONS  
 NO OF ROWS: 6  
 SOLDER CHARGE: TIN, 95.5/ Ag 3.8/ Cu 0.7  
 PACKAGING: TRAYS AND TAPE AND REEL

SEE SHEET 1 EC NO: UCP2011-2778 DRWN: TREGORI 2011/04/05 CHKD: JCOMERC I APPR: JCOMERC I 2011/04/06	REV	DESCRIPTION

GENERAL TOLERANCES (UNLESS SPECIFIED)	
mm	INCH
4 PLACES ± ---	± ---
3 PLACES ± ---	± .005
2 PLACES ± ---	± ---
1 PLACE ± ---	± ---
ANGULAR ± ---°	
DRAFT WHERE APPLICABLE MUST REMAIN WITHIN DIMENSIONS	

DIMENSION STYLE INCH ONLY		SCALE 1:1	DESIGN UNITS INCH	THIRD ANGLE PROJECTION
DRAWN BY TREGORI	DATE 2005/05/17	TITLE SEARAY RECEPTACLE ASSEMBLY .050 CENTERS		
CHECKED BY JCOMERC I	DATE 2005/05/17	MOLEX INCORPORATED		
APPROVED BY JCOMERC I	DATE 2010/03/05	DOCUMENT NO. SD-45971-001	SHEET NO. 3 OF 10	
MATERIAL NO. SEE CHART				
THIS DRAWING CONTAINS INFORMATION THAT IS PROPRIETARY TO MOLEX INCORPORATED AND SHOULD NOT BE USED WITHOUT WRITTEN PERMISSION				

tb\_frame\_A\_P\_AM\_1 Rev. E 2006/04/15      5      4      3      2      1

		6	5	4	3	2	1
DIM R: (REF)		5.0 MM	6.0 MM	6.5 MM	7.5 MM	8.0 MM	STACK HEIGHTS GIVEN IN METRIC FOR REF ONLY
DIM R: HOUSING HEIGHT		.199	.238	.258	.297	.317	
POSITION	DIM M	MATERIAL NO	MATERIAL NO	MATERIAL NO	MATERIAL NO	MATERIAL NO	
19	1.232	45971-0163	OBSOLETE	45971-0363	OBSOLETE	OBSOLETE	
10	0.782	OBSOLETE	OBSOLETE	OBSOLETE	OBSOLETE	OBSOLETE	
20	1.282	OBSOLETE	OBSOLETE	OBSOLETE	OBSOLETE	OBSOLETE	
30	1.782	OBSOLETE	OBSOLETE	OBSOLETE	OBSOLETE	OBSOLETE	
40	2.282	OBSOLETE	OBSOLETE	OBSOLETE	OBSOLETE	OBSOLETE	
50	2.782	OBSOLETE	OBSOLETE	OBSOLETE	OBSOLETE	OBSOLETE	
15	1.032	OBSOLETE	OBSOLETE	OBSOLETE	OBSOLETE	OBSOLETE	
25	1.532	OBSOLETE	OBSOLETE	OBSOLETE	OBSOLETE	OBSOLETE	
35	2.032	OBSOLETE	OBSOLETE	OBSOLETE	OBSOLETE	OBSOLETE	
45	2.532	OBSOLETE	OBSOLETE	OBSOLETE	OBSOLETE	OBSOLETE	

		5.0 MM	6.0 MM	6.5 MM	7.5 MM	8.0 MM
DIM R: (REF)		5.0 MM	6.0 MM	6.5 MM	7.5 MM	8.0 MM
DIM R: HOUSING HEIGHT		.199	.238	.258	.297	.317
POSITION	DIM M	MATERIAL NO	MATERIAL NO	MATERIAL NO	MATERIAL NO	MATERIAL NO
19	1.232	45971-0167	45971-0267	45971-0367	45971-0467	45971-0567
10	0.782	45971-1167	45971-1267	45971-1367	45971-1467	45971-1567
20	1.282	45971-2167	45971-2267	45971-2367	45971-2467	45971-2567
30	1.782	45971-3167	45971-3267	45971-3367	45971-3467	45971-3567
40	2.282	45971-4167	45971-4267	45971-4367	45971-4467	45971-4567
50	2.782	45971-5167	45971-5267	45971-5367	45971-5467	45971-5567
15	1.032	45971-6167	45971-6267	45971-6367	45971-6467	45971-6567
25	1.532	45971-7167	45971-7267	45971-7367	45971-7467	45971-7567
35	2.032	45971-8167	45971-8267	45971-8367	45971-8467	45971-8567
45	2.532	45971-9167	45971-9267	45971-9367	45971-9467	45971-9567

STACK HEIGHTS GIVEN IN METRIC FOR REF ONLY

STACK HEIGHTS GIVEN IN METRIC FOR REF ONLY

NOTES:  
 1. THIS SHEET CONTAINS THE FOLLOWING OPTIONS  
 NO OF ROWS: 6  
 SOLDER CHARGE: TIN / LEAD, 63/Pb 37  
 PACKAGING: TRAYS AND TAPE AND REEL

SEE SHEET 1  
 EC NO: UCP2011-2778  
 DRWN: TREGORI 2011/04/05  
 CHKD: JCOMERC I  
 APPR: JCOMERC I 2011/04/06

DESCRIPTION

GENERAL TOLERANCES (UNLESS SPECIFIED)

	mm	INCH
4 PLACES	± .005	± .0005
3 PLACES	± .005	± .0005
2 PLACES	± .005	± .0005
1 PLACE	± .005	± .0005
ANGULAR	± .005°	

DRAFT WHERE APPLICABLE MUST REMAIN WITHIN DIMENSIONS

DIMENSION STYLE INCH ONLY

DRAWN BY TREGORI DATE 2005/05/17

CHECKED BY JCOMERC I DATE 2005/05/17

APPROVED BY JCOMERC I DATE 2010/03/05

MATERIAL NO. SEE CHART

SIZE A

SCALE 1:1

DESIGN UNITS INCH

THIRD ANGLE PROJECTION

TITLE SEARAY RECEPTACLE ASSEMBLY .050 CENTERS

MOLEX MOLEX INCORPORATED

DOCUMENT NO. SD-45971-001

SHEET NO. 4 OF 10

THIS DRAWING CONTAINS INFORMATION THAT IS PROPRIETARY TO MOLEX INCORPORATED AND SHOULD NOT BE USED WITHOUT WRITTEN PERMISSION

		6	5	4	3	2	1
DIM R: (REF)		5.0 MM	6.0 MM	6.5 MM	7.5 MM	8.0 MM	STACK HEIGHTS GIVEN IN METRIC FOR REF ONLY
DIM R: HOUSING HEIGHT		.199	.238	.258	.297	.317	
POSITION	DIM M	MATERIAL NO	MATERIAL NO	MATERIAL NO	MATERIAL NO	MATERIAL NO	
19	1.232	45971-0181	OBSOLETE	45971-0381	OBSOLETE	OBSOLETE	
10	0.782	OBSOLETE	OBSOLETE	OBSOLETE	OBSOLETE	OBSOLETE	
20	1.282	OBSOLETE	OBSOLETE	OBSOLETE	OBSOLETE	OBSOLETE	
30	1.782	OBSOLETE	OBSOLETE	OBSOLETE	OBSOLETE	OBSOLETE	
40	2.282	OBSOLETE	OBSOLETE	OBSOLETE	OBSOLETE	OBSOLETE	
50	2.782	OBSOLETE	OBSOLETE	OBSOLETE	OBSOLETE	OBSOLETE	
15	1.032	OBSOLETE	OBSOLETE	OBSOLETE	OBSOLETE	OBSOLETE	
25	1.532	OBSOLETE	OBSOLETE	OBSOLETE	OBSOLETE	OBSOLETE	
35	2.032	OBSOLETE	OBSOLETE	OBSOLETE	OBSOLETE	OBSOLETE	
45	2.532	OBSOLETE	OBSOLETE	OBSOLETE	OBSOLETE	OBSOLETE	

		5.0 MM	6.0 MM	6.5 MM	7.5 MM	8.0 MM
DIM R: (REF)		5.0 MM	6.0 MM	6.5 MM	7.5 MM	8.0 MM
DIM R: HOUSING HEIGHT		.199	.238	.258	.297	.317
POSITION	DIM M	MATERIAL NO	MATERIAL NO	MATERIAL NO	MATERIAL NO	MATERIAL NO
19	1.232	45971-0185	45971-0285	45971-0385	45971-0485	45971-0585
10	0.782	45971-1185	45971-1285	45971-1385	45971-1485	45971-1585
20	1.282	45971-2185	45971-2285	45971-2385	45971-2485	45971-2585
30	1.782	45971-3185	45971-3285	45971-3385	45971-3485	45971-3585
40	2.282	45971-4185	45971-4285	45971-4385	45971-4485	45971-4585
50	2.782	45971-5185	45971-5285	45971-5385	45971-5485	45971-5585
15	1.032	45971-6185	45971-6285	45971-6385	45971-6485	45971-6585
25	1.532	45971-7185	45971-7285	45971-7385	45971-7485	45971-7585
35	2.032	45971-8185	45971-8285	45971-8385	45971-8485	45971-8585
45	2.532	45971-9185	45971-9285	45971-9385	45971-9485	45971-9585

STACK HEIGHTS GIVEN IN METRIC FOR REF ONLY

STACK HEIGHTS GIVEN IN METRIC FOR REF ONLY

NOTES:  
 1. THIS SHEET CONTAINS THE FOLLOWING OPTIONS  
 NO OF ROWS: 8  
 SOLDER CHARGE: TIN, 95.5/ Ag 3.8/ Cu 0.7  
 PACKAGING: TRAYS AND TAPE AND REEL

SEE SHEET 1	DESCRIPTION
EC NO: UCP2011-2778	2011/04/05
DRWN: TREGORI	2011/04/05
CHKD: JCOMERC I	
APPR: JCOMERC I	2011/04/06
REV	

GENERAL TOLERANCES (UNLESS SPECIFIED)	
	mm INCH
4 PLACES	± .005 ± .0005
3 PLACES	± .005 ± .0005
2 PLACES	± .005 ± .0005
1 PLACE	± .005 ± .0005
ANGULAR ± .005°	
DRAFT WHERE APPLICABLE MUST REMAIN WITHIN DIMENSIONS	

DIMENSION STYLE INCH ONLY	
DRAWN BY	DATE
TGREGORI	2005/05/17
CHECKED BY	DATE
JCOMERC I	2005/05/17
APPROVED BY	DATE
JCOMERC I	2010/03/05
MATERIAL NO.	
SEE CHART	
SIZE	
A	

SCALE 1:1	DESIGN UNITS INCH	THIRD ANGLE PROJECTION
TITLE		
SEARAY RECEPTACLE ASSEMBLY .050 CENTERS		
MOLEX INCORPORATED		
DOCUMENT NO.	SHEET NO.	
SD-45971-001	5 OF 10	

tb\_frame\_A\_P\_AM\_1  
Rev. E 2006/04/15

5 4 3 2 1

6		5		4		3		2		1	
DIM R: (REF)		5.0 MM		6.0 MM		6.5 MM		7.5 MM		8.0 MM	
DIM R: HOUSING HEIGHT		.199		.238		.258		.297		.317	
POSITION	DIM M	MATERIAL NO	MATERIAL NO	MATERIAL NO	MATERIAL NO	MATERIAL NO	MATERIAL NO	MATERIAL NO	MATERIAL NO	MATERIAL NO	MATERIAL NO
19	1.232	45971-0183	OBSOLETE	OBSOLETE	45971-0383	OBSOLETE	OBSOLETE	OBSOLETE	OBSOLETE	OBSOLETE	OBSOLETE
10	0.782	OBSOLETE	OBSOLETE	OBSOLETE	OBSOLETE	OBSOLETE	OBSOLETE	OBSOLETE	OBSOLETE	OBSOLETE	OBSOLETE
20	1.282	OBSOLETE	OBSOLETE	OBSOLETE	OBSOLETE	OBSOLETE	OBSOLETE	OBSOLETE	OBSOLETE	OBSOLETE	OBSOLETE
30	1.782	OBSOLETE	OBSOLETE	OBSOLETE	OBSOLETE	OBSOLETE	OBSOLETE	OBSOLETE	OBSOLETE	OBSOLETE	OBSOLETE
40	2.282	OBSOLETE	OBSOLETE	OBSOLETE	OBSOLETE	OBSOLETE	OBSOLETE	OBSOLETE	OBSOLETE	OBSOLETE	OBSOLETE
50	2.782	OBSOLETE	OBSOLETE	OBSOLETE	OBSOLETE	OBSOLETE	OBSOLETE	OBSOLETE	OBSOLETE	OBSOLETE	OBSOLETE
15	1.032	OBSOLETE	OBSOLETE	OBSOLETE	OBSOLETE	OBSOLETE	OBSOLETE	OBSOLETE	OBSOLETE	OBSOLETE	OBSOLETE
25	1.532	OBSOLETE	OBSOLETE	OBSOLETE	OBSOLETE	OBSOLETE	OBSOLETE	OBSOLETE	OBSOLETE	OBSOLETE	OBSOLETE
35	2.032	OBSOLETE	OBSOLETE	OBSOLETE	OBSOLETE	OBSOLETE	OBSOLETE	OBSOLETE	OBSOLETE	OBSOLETE	OBSOLETE
45	2.532	OBSOLETE	OBSOLETE	OBSOLETE	OBSOLETE	OBSOLETE	OBSOLETE	OBSOLETE	OBSOLETE	OBSOLETE	OBSOLETE

STACK HEIGHTS GIVEN IN METRIC FOR REF ONLY

6		5		4		3		2		1	
DIM R: (REF)		5.0 MM		6.0 MM		6.5 MM		7.5 MM		8.0 MM	
DIM R: HOUSING HEIGHT		.199		.238		.258		.297		.317	
POSITION	DIM M	MATERIAL NO	MATERIAL NO	MATERIAL NO	MATERIAL NO	MATERIAL NO	MATERIAL NO	MATERIAL NO	MATERIAL NO	MATERIAL NO	MATERIAL NO
19	1.232	45971-0187	45971-0287	45971-0387	45971-0487	45971-0587	45971-0687	45971-0787	45971-0887	45971-0987	45971-1087
10	0.782	45971-1187	45971-1287	45971-1387	45971-1487	45971-1587	45971-1687	45971-1787	45971-1887	45971-1987	45971-2087
20	1.282	45971-2187	45971-2287	45971-2387	45971-2487	45971-2587	45971-2687	45971-2787	45971-2887	45971-2987	45971-3087
30	1.782	45971-3187	45971-3287	45971-3387	45971-3487	45971-3587	45971-3687	45971-3787	45971-3887	45971-3987	45971-4087
40	2.282	45971-4187	45971-4287	45971-4387	45971-4487	45971-4587	45971-4687	45971-4787	45971-4887	45971-4987	45971-5087
50	2.782	45971-5187	45971-5287	45971-5387	45971-5487	45971-5587	45971-5687	45971-5787	45971-5887	45971-5987	45971-6087
15	1.032	45971-6187	45971-6287	45971-6387	45971-6487	45971-6587	45971-6687	45971-6787	45971-6887	45971-6987	45971-7087
25	1.532	45971-7187	45971-7287	45971-7387	45971-7487	45971-7587	45971-7687	45971-7787	45971-7887	45971-7987	45971-8087
35	2.032	45971-8187	45971-8287	45971-8387	45971-8487	45971-8587	45971-8687	45971-8787	45971-8887	45971-8987	45971-9087
45	2.532	45971-9187	45971-9287	45971-9387	45971-9487	45971-9587	45971-9687	45971-9787	45971-9887	45971-9987	45971-10087

STACK HEIGHTS GIVEN IN METRIC FOR REF ONLY

NOTES:  
 1. THIS SHEET CONTAINS THE FOLLOWING OPTIONS  
 NO OF ROWS: 8  
 SOLDER CHARGE: TIN / LEAD, 63/Pb 37  
 PACKAGING: TRAYS AND TAPE AND REEL

SEE SHEET 1 EC NO: UCP2011-2778 DRWN: TREGORI 2011/04/05 CHKD: JCOMERC I APPR: JCOMERC I 2011/04/06	REV	DESCRIPTION

GENERAL TOLERANCES (UNLESS SPECIFIED)	
4 PLACES	± .005
3 PLACES	± .005
2 PLACES	± .005
1 PLACE	± .005
ANGULAR ± .005°	
DRAFT WHERE APPLICABLE MUST REMAIN WITHIN DIMENSIONS	

DIMENSION STYLE INCH ONLY	
DRAWN BY	DATE
TGREGORI	2005/05/17
CHECKED BY	DATE
JCOMERC I	2005/05/17
APPROVED BY	DATE
JCOMERC I	2010/03/05
MATERIAL NO.	
SEE CHART	
SIZE	A

SCALE 1:1	DESIGN UNITS INCH	THIRD ANGLE PROJECTION
TITLE		
SEARAY RECEPTACLE ASSEMBLY .050 CENTERS		
MOLEX INCORPORATED		
DOCUMENT NO.	SHEET NO.	
SD-45971-001	6 OF 10	

tb\_frame\_A\_P\_AM\_1  
Rev. E 2006/04/15

5 4 3 2 1

		6	5	4	3	2	1
DIM R: (REF)		5.0 MM	6.0 MM	6.5 MM	7.5 MM	8.0 MM	STACK HEIGHTS GIVEN IN METRIC FOR REF ONLY
DIM R: HOUSING HEIGHT		.199	.238	.258	.297	.317	
POSITION	DIM M	MATERIAL NO	MATERIAL NO	MATERIAL NO	MATERIAL NO	MATERIAL NO	
19	1.232	OBSOLETE	OBSOLETE	OBSOLETE	OBSOLETE	OBSOLETE	
10	0.782	OBSOLETE	OBSOLETE	OBSOLETE	OBSOLETE	OBSOLETE	
20	1.282	OBSOLETE	OBSOLETE	45971-2311	OBSOLETE	OBSOLETE	
30	1.782	45971-3111	OBSOLETE	OBSOLETE	OBSOLETE	OBSOLETE	
40	2.282	OBSOLETE	OBSOLETE	OBSOLETE	45971-4411	OBSOLETE	
50	2.782	OBSOLETE	OBSOLETE	OBSOLETE	OBSOLETE	OBSOLETE	
15	1.032	OBSOLETE	OBSOLETE	OBSOLETE	OBSOLETE	OBSOLETE	
25	1.532	OBSOLETE	OBSOLETE	OBSOLETE	OBSOLETE	OBSOLETE	
35	2.032	OBSOLETE	OBSOLETE	OBSOLETE	OBSOLETE	OBSOLETE	
45	2.532	OBSOLETE	OBSOLETE	OBSOLETE	OBSOLETE	OBSOLETE	

		5.0 MM	6.0 MM	6.5 MM	7.5 MM	8.0 MM
DIM R: (REF)		5.0 MM	6.0 MM	6.5 MM	7.5 MM	8.0 MM
DIM R: HOUSING HEIGHT		.199	.238	.258	.297	.317
POSITION	DIM M	MATERIAL NO	MATERIAL NO	MATERIAL NO	MATERIAL NO	MATERIAL NO
19	1.232	45971-0115	45971-0215	45971-0315	45971-0415	45971-0515
10	0.782	45971-1115	45971-1215	45971-1315	45971-1415	45971-1515
20	1.282	45971-2115	45971-2215	45971-2315	45971-2415	45971-2515
30	1.782	45971-3115	45971-3215	45971-3315	45971-3415	45971-3515
40	2.282	45971-4115	45971-4215	45971-4315	45971-4415	45971-4515
50	2.782	45971-5115	45971-5215	45971-5315	45971-5415	45971-5515
15	1.032	45971-6115	45971-6215	45971-6315	45971-6415	45971-6515
25	1.532	45971-7115	45971-7215	45971-7315	45971-7415	45971-7515
35	2.032	45971-8115	45971-8215	45971-8315	45971-8415	45971-8515
45	2.532	45971-9115	45971-9215	45971-9315	45971-9415	45971-9515

STACK HEIGHTS GIVEN IN METRIC FOR REF ONLY

NOTES:  
 1. THIS SHEET CONTAINS THE FOLLOWING OPTIONS  
 NO OF ROWS: 10  
 SOLDER CHARGE: TIN, 95.5/ Ag 3.8/ Cu 0.7  
 PACKAGING: TRAYS AND TAPE AND REEL

SEE SHEET 1 EC NO: UCP2011-2778 DRWN: T GREGORI 2011/04/05 CHKD: JCOMERC I APPR: JCOMERC I	REV	DESCRIPTION

GENERAL TOLERANCES (UNLESS SPECIFIED)	
mm	INCH
4 PLACES ± ---	± ---
3 PLACES ± ---	± .005
2 PLACES ± ---	± ---
1 PLACE ± ---	± ---
ANGULAR ± ---°	
DRAFT WHERE APPLICABLE MUST REMAIN WITHIN DIMENSIONS	

DIMENSION STYLE INCH ONLY	
DRAWN BY	DATE
T GREGORI	2005/05/17
CHECKED BY	DATE
JCOMERC I	2005/05/17
APPROVED BY	DATE
JCOMERC I	2010/03/05
MATERIAL NO.	
SEE CHART	
SIZE	A

SCALE 1:1	DESIGN UNITS INCH	THIRD ANGLE PROJECTION
TITLE		
SEARAY RECEPTACLE ASSEMBLY .050 CENTERS		
MOLEX INCORPORATED		
DOCUMENT NO.	SHEET NO.	
SD-45971-001	7 OF 10	

tb\_frame\_A\_P\_AM\_1  
Rev. E 2006/04/15

5 4 3 2 1

6		5		4		3		2		1	
DIM R: (REF)		5.0 MM		6.0 MM		6.5 MM		7.5 MM		8.0 MM	
DIM R: HOUSING HEIGHT		.199		.238		.258		.297		.317	
POSITION	DIM M	MATERIAL NO	MATERIAL NO	MATERIAL NO	MATERIAL NO	MATERIAL NO	MATERIAL NO	MATERIAL NO	MATERIAL NO	MATERIAL NO	MATERIAL NO
19	1.232	OBSOLETE	OBSOLETE	OBSOLETE	OBSOLETE	OBSOLETE	OBSOLETE	OBSOLETE	OBSOLETE	OBSOLETE	OBSOLETE
10	0.782	OBSOLETE	OBSOLETE	OBSOLETE	OBSOLETE	OBSOLETE	OBSOLETE	OBSOLETE	OBSOLETE	OBSOLETE	OBSOLETE
20	1.282	OBSOLETE	OBSOLETE	45971-2313	OBSOLETE	OBSOLETE	OBSOLETE	OBSOLETE	OBSOLETE	OBSOLETE	OBSOLETE
30	1.782	45971-3113	OBSOLETE	OBSOLETE	OBSOLETE	OBSOLETE	OBSOLETE	OBSOLETE	OBSOLETE	OBSOLETE	OBSOLETE
40	2.282	OBSOLETE	OBSOLETE	OBSOLETE	OBSOLETE	45971-4413	OBSOLETE	OBSOLETE	OBSOLETE	OBSOLETE	OBSOLETE
50	2.782	OBSOLETE	OBSOLETE	OBSOLETE	OBSOLETE	OBSOLETE	OBSOLETE	OBSOLETE	OBSOLETE	OBSOLETE	OBSOLETE
15	1.032	OBSOLETE	OBSOLETE	OBSOLETE	OBSOLETE	OBSOLETE	OBSOLETE	OBSOLETE	OBSOLETE	OBSOLETE	OBSOLETE
25	1.532	OBSOLETE	OBSOLETE	OBSOLETE	OBSOLETE	OBSOLETE	OBSOLETE	OBSOLETE	OBSOLETE	OBSOLETE	OBSOLETE
35	2.032	OBSOLETE	OBSOLETE	OBSOLETE	OBSOLETE	OBSOLETE	OBSOLETE	OBSOLETE	OBSOLETE	OBSOLETE	OBSOLETE
45	2.532	OBSOLETE	OBSOLETE	OBSOLETE	OBSOLETE	OBSOLETE	OBSOLETE	OBSOLETE	OBSOLETE	OBSOLETE	OBSOLETE

STACK HEIGHTS GIVEN IN METRIC FOR REF ONLY

6		5		4		3		2		1	
DIM R: (REF)		5.0 MM		6.0 MM		6.5 MM		7.5 MM		8.0 MM	
DIM R: HOUSING HEIGHT		.199		.238		.258		.297		.317	
POSITION	DIM M	MATERIAL NO	MATERIAL NO	MATERIAL NO	MATERIAL NO	MATERIAL NO	MATERIAL NO	MATERIAL NO	MATERIAL NO	MATERIAL NO	MATERIAL NO
19	1.232	45971-0117	45971-0217	45971-0317	45971-0417	45971-0517	45971-0617	45971-0717	45971-0817	45971-0917	45971-1017
10	0.782	45971-1117	45971-1217	45971-1317	45971-1417	45971-1517	45971-1617	45971-1717	45971-1817	45971-1917	45971-2017
20	1.282	45971-2117	45971-2217	45971-2317	45971-2417	45971-2517	45971-2617	45971-2717	45971-2817	45971-2917	45971-3017
30	1.782	45971-3117	45971-3217	45971-3317	45971-3417	45971-3517	45971-3617	45971-3717	45971-3817	45971-3917	45971-4017
40	2.282	45971-4117	45971-4217	45971-4317	45971-4417	45971-4517	45971-4617	45971-4717	45971-4817	45971-4917	45971-5017
50	2.782	45971-5117	45971-5217	45971-5317	45971-5417	45971-5517	45971-5617	45971-5717	45971-5817	45971-5917	45971-6017
15	1.032	45971-6117	45971-6217	45971-6317	45971-6417	45971-6517	45971-6617	45971-6717	45971-6817	45971-6917	45971-7017
25	1.532	45971-7117	45971-7217	45971-7317	45971-7417	45971-7517	45971-7617	45971-7717	45971-7817	45971-7917	45971-8017
35	2.032	45971-8117	45971-8217	45971-8317	45971-8417	45971-8517	45971-8617	45971-8717	45971-8817	45971-8917	45971-9017
45	2.532	45971-9117	45971-9217	45971-9317	45971-9417	45971-9517	45971-9617	45971-9717	45971-9817	45971-9917	45971-10017

STACK HEIGHTS GIVEN IN METRIC FOR REF ONLY

NOTES:  
 1. THIS SHEET CONTAINS THE FOLLOWING OPTIONS  
 NO OF ROWS: 10  
 SOLDER CHARGE: TIN / LEAD, 63/Pb 37  
 PACKAGING: TRAYS AND TAPE AND REEL

SEE SHEET 1 EC NO: UCP2011-2778 DRWN: TREGORI 2011/04/05 CHKD: JCOMERC I APPR: JCOMERC I 2011/04/06	DESCRIPTION
	REV
	5
	4

GENERAL TOLERANCES (UNLESS SPECIFIED)	
mm	INCH
4 PLACES ± ---	± ---
3 PLACES ± ---	± .005
2 PLACES ± ---	± ---
1 PLACE ± ---	± ---
ANGULAR ± ---°	
DRAFT WHERE APPLICABLE MUST REMAIN WITHIN DIMENSIONS	

DIMENSION STYLE INCH ONLY	
DRAWN BY	DATE
TGREGORI	2005/05/17
CHECKED BY	DATE
JCOMERC I	2005/05/17
APPROVED BY	DATE
JCOMERC I	2010/03/05
MATERIAL NO.	
SEE CHART	
SIZE	A

SCALE 1:1	DESIGN UNITS INCH	THIRD ANGLE PROJECTION
TITLE		
SEARAY RECEPTACLE ASSEMBLY .050 CENTERS		
MOLEX INCORPORATED		
DOCUMENT NO.	SHEET NO.	
SD-45971-001	8 OF 10	

tb\_frame\_A\_P\_AM\_1  
 Rev. E 2006/04/15



6		5		4		3		2		1	
DIM R: (REF)		5.0 MM		6.0 MM		6.5 MM		7.5 MM		8.0 MM	
DIM R: HOUSING HEIGHT		.199		.238		.258		.297		.317	
POSITION	DIM M	MATERIAL NO	MATERIAL NO	MATERIAL NO	MATERIAL NO	MATERIAL NO	MATERIAL NO	MATERIAL NO	MATERIAL NO	MATERIAL NO	MATERIAL NO
19	1.232	OBSOLETE	OBSOLETE	OBSOLETE	OBSOLETE	OBSOLETE	OBSOLETE	OBSOLETE	OBSOLETE	OBSOLETE	OBSOLETE
10	0.782	OBSOLETE	OBSOLETE	OBSOLETE	OBSOLETE	OBSOLETE	OBSOLETE	OBSOLETE	OBSOLETE	OBSOLETE	OBSOLETE
20	1.282	OBSOLETE	OBSOLETE	OBSOLETE	OBSOLETE	OBSOLETE	OBSOLETE	OBSOLETE	OBSOLETE	OBSOLETE	OBSOLETE
30	1.782	OBSOLETE	OBSOLETE	OBSOLETE	OBSOLETE	OBSOLETE	OBSOLETE	OBSOLETE	OBSOLETE	OBSOLETE	OBSOLETE
40	2.282	OBSOLETE	OBSOLETE	OBSOLETE	OBSOLETE	OBSOLETE	OBSOLETE	OBSOLETE	OBSOLETE	OBSOLETE	OBSOLETE
50	2.782	OBSOLETE	OBSOLETE	OBSOLETE	OBSOLETE	OBSOLETE	OBSOLETE	OBSOLETE	OBSOLETE	OBSOLETE	OBSOLETE
15	1.032	OBSOLETE	OBSOLETE	OBSOLETE	OBSOLETE	OBSOLETE	OBSOLETE	OBSOLETE	OBSOLETE	OBSOLETE	OBSOLETE
25	1.532	OBSOLETE	OBSOLETE	OBSOLETE	OBSOLETE	OBSOLETE	OBSOLETE	OBSOLETE	OBSOLETE	OBSOLETE	OBSOLETE
35	2.032	OBSOLETE	OBSOLETE	OBSOLETE	OBSOLETE	OBSOLETE	OBSOLETE	OBSOLETE	OBSOLETE	OBSOLETE	OBSOLETE
45	2.532	OBSOLETE	OBSOLETE	OBSOLETE	OBSOLETE	OBSOLETE	OBSOLETE	OBSOLETE	OBSOLETE	OBSOLETE	OBSOLETE

STACK HEIGHTS GIVEN IN METRIC FOR REF ONLY

6		5		4		3		2		1	
DIM R: (REF)		5.0 MM		6.0 MM		6.5 MM		7.5 MM		8.0 MM	
DIM R: HOUSING HEIGHT		.199		.238		.258		.297		.317	
POSITION	DIM M	MATERIAL NO	MATERIAL NO	MATERIAL NO	MATERIAL NO	MATERIAL NO	MATERIAL NO	MATERIAL NO	MATERIAL NO	MATERIAL NO	MATERIAL NO
19	1.232	45971-0125	45971-0225	45971-0325	45971-0425	45971-0525	45971-0625	45971-0725	45971-0825	45971-0925	45971-1025
10	0.782	45971-1125	45971-1225	45971-1325	45971-1425	45971-1525	45971-1625	45971-1725	45971-1825	45971-1925	45971-2025
20	1.282	45971-2125	45971-2225	45971-2325	45971-2425	45971-2525	45971-2625	45971-2725	45971-2825	45971-2925	45971-3025
30	1.782	45971-3125	45971-3225	45971-3325	45971-3425	45971-3525	45971-3625	45971-3725	45971-3825	45971-3925	45971-4025
40	2.282	45971-4125	45971-4225	45971-4325	45971-4425	45971-4525	45971-4625	45971-4725	45971-4825	45971-4925	45971-5025
50	2.782	45971-5125	45971-5225	45971-5325	45971-5425	45971-5525	45971-5625	45971-5725	45971-5825	45971-5925	45971-6025
15	1.032	45971-6125	45971-6225	45971-6325	45971-6425	45971-6525	45971-6625	45971-6725	45971-6825	45971-6925	45971-7025
25	1.532	45971-7125	45971-7225	45971-7325	45971-7425	45971-7525	45971-7625	45971-7725	45971-7825	45971-7925	45971-8025
35	2.032	45971-8125	45971-8225	45971-8325	45971-8425	45971-8525	45971-8625	45971-8725	45971-8825	45971-8925	45971-9025
45	2.532	45971-9125	45971-9225	45971-9325	45971-9425	45971-9525	45971-9625	45971-9725	45971-9825	45971-9925	45971-10025

STACK HEIGHTS GIVEN IN METRIC FOR REF ONLY

NOTES:  
 1. THIS SHEET CONTAINS THE FOLLOWING OPTIONS  
 NO OF ROWS: 12  
 SOLDER CHARGE: TIN, 95.5/ Ag 3.8/ Cu 0.7  
 PACKAGING: TRAYS AND TAPE AND REEL

SEE SHEET 1 EC NO: UCP2011-2778 DRWN: T.GREGORI 2011/04/05 CHKD: J.COMERCI APPR: J.COMERCI 2011/04/06	DESCRIPTION REV	GENERAL TOLERANCES (UNLESS SPECIFIED)		DIMENSION STYLE INCH ONLY		SCALE 3:1	DESIGN UNITS INCH	THIRD ANGLE PROJECTION	
		4 PLACES ± --- ± ---	mm INCH	DRAWN BY T.GREGORI	DATE 2005/05/17	TITLE <b>SEARAY RECEPTACLE ASSEMBLY .050 CENTERS</b>			
		3 PLACES ± --- ± .005		CHECKED BY J.COMERCI	DATE 2005/05/17				
		2 PLACES ± --- ± ---		APPROVED BY J.COMERCI	DATE 2010/03/05	MOLEX INCORPORATED DOCUMENT NO. SD-45971-001			
1 PLACE ± --- ± ---		ANGULAR ± ---°		MATERIAL NO. SEE CHART		SHEET NO. 9 OF 10			
DRAFT WHERE APPLICABLE MUST REMAIN WITHIN DIMENSIONS		THIS DRAWING CONTAINS INFORMATION THAT IS PROPRIETARY TO MOLEX INCORPORATED AND SHOULD NOT BE USED WITHOUT WRITTEN PERMISSION							

tb\_frame\_A\_P\_AM\_1  
Rev. E 2006/04/15

5 4 3 2 1

		6	5	4	3	2	1
DIM R: (REF)		5.0 MM	6.0 MM	6.5 MM	7.5 MM	8.0 MM	STACK HEIGHTS GIVEN IN METRIC FOR REF ONLY
DIM R: HOUSING HEIGHT		.199	.238	.258	.297	.317	
POSITION	DIM M	MATERIAL NO	MATERIAL NO	MATERIAL NO	MATERIAL NO	MATERIAL NO	
19	1.232	OBSOLETE	OBSOLETE	OBSOLETE	OBSOLETE	OBSOLETE	
10	0.782	OBSOLETE	OBSOLETE	OBSOLETE	OBSOLETE	OBSOLETE	
20	1.282	OBSOLETE	OBSOLETE	OBSOLETE	OBSOLETE	OBSOLETE	
30	1.782	OBSOLETE	OBSOLETE	OBSOLETE	OBSOLETE	OBSOLETE	
40	2.282	OBSOLETE	OBSOLETE	OBSOLETE	OBSOLETE	OBSOLETE	
50	2.782	OBSOLETE	OBSOLETE	OBSOLETE	OBSOLETE	OBSOLETE	
15	1.032	OBSOLETE	OBSOLETE	OBSOLETE	OBSOLETE	OBSOLETE	
25	1.532	OBSOLETE	OBSOLETE	OBSOLETE	OBSOLETE	OBSOLETE	
35	2.032	OBSOLETE	OBSOLETE	OBSOLETE	OBSOLETE	OBSOLETE	
45	2.532	OBSOLETE	OBSOLETE	OBSOLETE	OBSOLETE	OBSOLETE	

		6	5	4	3	2	1
DIM R: (REF)		5.0 MM	6.0 MM	6.5 MM	7.5 MM	8.0 MM	STACK HEIGHTS GIVEN IN METRIC FOR REF ONLY
DIM R: HOUSING HEIGHT		.199	.238	.258	.297	.317	
POSITION	DIM M	MATERIAL NO	MATERIAL NO	MATERIAL NO	MATERIAL NO	MATERIAL NO	
19	1.232	45971-0127	45971-0227	45971-0327	45971-0427	45971-0527	
10	0.782	45971-1127	45971-1227	45971-1327	45971-1427	45971-1527	
20	1.282	45971-2127	45971-2227	45971-2327	45971-2427	45971-2527	
30	1.782	45971-3127	45971-3227	45971-3327	45971-3427	45971-3527	
40	2.282	45971-4127	45971-4227	45971-4327	45971-4427	45971-4527	
50	2.782	45971-5127	45971-5227	45971-5327	45971-5427	45971-5527	
15	1.032	45971-6127	45971-6227	45971-6327	45971-6427	45971-6527	
25	1.532	45971-7127	45971-7227	45971-7327	45971-7427	45971-7527	
35	2.032	45971-8127	45971-8227	45971-8327	45971-8427	45971-8527	
45	2.532	45971-9127	45971-9227	45971-9327	45971-9427	45971-9527	

NOTES:  
1. THIS SHEET CONTAINS THE FOLLOWING OPTIONS  
NO OF ROWS: 12  
SOLDER CHARGE: TIN / LEAD, 63/Pb 37  
PACKAGING: TRAYS AND TAPE AND REEL

SEE SHEET 1 EC NO: UCP20M-2778 DRWN: JGREGORI 2011/04/05 CHKD: APPR: JCOMERC I 2011/04/06	DESCRIPTION REV	GENERAL TOLERANCES (UNLESS SPECIFIED)		DIMENSION STYLE INCH ONLY		SCALE 1:1	DESIGN UNITS INCH	THIRD ANGLE PROJECTION	
		4 PLACES	±---	±---	DRAWN BY JGREGORI	DATE 2005/05/17	TITLE <b>SEARAY RECEPTACLE ASSEMBLY .050 CENTERS</b> <b>MOLEX INCORPORATED</b>		
		3 PLACES	±---	±.005	CHECKED BY JCOMERC I	DATE 2005/05/17			
		2 PLACES	±---	±---	APPROVED BY JCOMERC I	DATE 2010/03/05			
		1 PLACE	±---	±---	ANGULAR ±---°		MATERIAL NO. SEE CHART	DOCUMENT NO. SD-45971-001	SHEET NO. 10 OF 10
DRAFT WHERE APPLICABLE MUST REMAIN WITHIN DIMENSIONS		SIZE A	THIS DRAWING CONTAINS INFORMATION THAT IS PROPRIETARY TO MOLEX INCORPORATED AND SHOULD NOT BE USED WITHOUT WRITTEN PERMISSION						

fb\_frame\_A\_P\_AM\_1  
Rev. E 2006/04/15