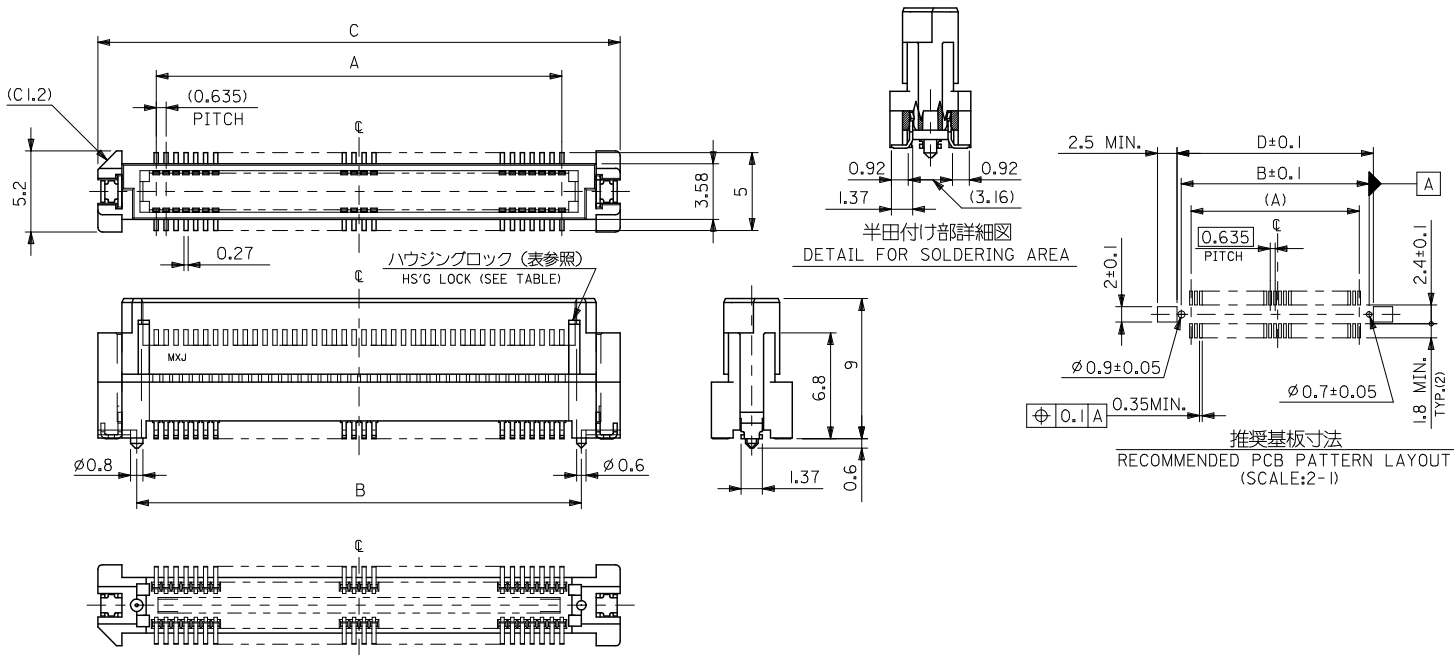


10 9 8 7 6 5 4 3 2 1



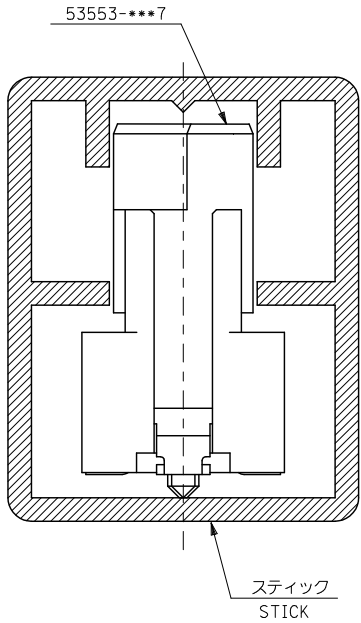
- 注) NOTES
1. 材質 MATERIAL  
 ハウジング: ガラス入り PPS、茶色、UL94V-0  
 HOUSING: GLASS FILLED PPS, BROWN, UL94V-0  
 ターミナル: 黄銅 ( =0.2 )  
 TERMINAL: BRASS
  2. メッキ仕様 PLATING  
 接点部 : 金メッキ 0.25 μm 以上  
 CONTACT AREA: GOLD 0.25 MICROMETER MINIMUM  
 半田付け部: 半田メッキ 1.0 μm 以上  
 SOLDER TAIL AREA: TIN-LEAD 1.0 MICROMETER MINIMUM  
 下地メッキ: ニッケルメッキ 1.5 μm 以上  
 UNDER-PLATING: NICKEL 1.5 MICROMETER MINIMUM
  3. テールのバラッキ寸法 TAIL COPLANARITY  
 テールの平坦度は、0.1 以下とする。  
 TAIL COPLANARITY TO BE 0.1 MAXIMUM.

10 mm	52760-***0
基板間寸法 STACKING HEIGHT	嵌合相手 TO BE MATED WITH

無し NO	53.77	57.67	52.67	50.165	53553-16 09	53553-1607	160
有 YES	28.37	32.27	27.27	24.765		53553-0807	80
ハウジング HSG LOCK	15.67	19.57	14.57	12.065	53553-0409	53553-0407	40
	D	C	B	A	スティック梱包 STICK PACKAGING	製造番号 MATERIAL NO.	種数 CKT. NO.
MODEL NO. 53553-***7							

REVISED EC NO: J2009-0566 DRAWN: KANAKURA 2008/12/16 CHKD: HARUYAMA 2008/12/16 APPR: NIKITA 2009/01/16 REV	GENERAL TOLERANCES (UNLESS SPECIFIED)		DIMENSION STYLE MM ONLY	SCALE 4:1	DESIGN UNITS METRIC	THIRD ANGLE PROJECTION
	10 UNDER	±0.2	DRAWN BY M. YAGI	DATE '94/6/24	TITLE 0.635 PITCH B-T0-B S/T PLUG HSG ASSY	
	10 OVER 30 UNDER	±0.25	CHECKED BY A. KANESHIGE	DATE	MOLEX INCORPORATED	
	30 OVER	±0.3	APPROVED BY H. IKESUGI	DATE	DOCUMENT NO. SD-53553-009	SHEET NO. 1 OF 1
ANGULAR ±3 °		DRAFT WHERE APPLICABLE MUST REMAIN WITHIN DIMENSIONS	MATERIAL NO. SEE TABLE	THIS DRAWING CONTAINS INFORMATION THAT IS PROPRIETARY TO MOLEX INCORPORATED AND SHOULD NOT BE USED WITHOUT WRITTEN PERMISSION		

10 9 8 7 6 5 4 3 2 1



注) NOTES.

- 1. スティック両端はキャップ止め。  
BOTH ENDS WITH CAPS.
- 2. 全長：600±2  
TOTAL LENGTH
- 3. 肉厚：0.6±0.2  
THICKNESS

9	53553-1609	160
28	53553-0409	40
梱包数 QUANTITY	製品番号 MATERIAL NO.	極数 NO. OF CKT.

MODEL NO. | 53553-\*\*\*9

材質  
MATERIAL  
スティック：ポリ塩化ビニル  
STICK:P.V.C.

REVISED E.C. NO: J2009-0566 DRAWN: KANAKUBRAA 2008/12/16 CHKD: HARUYAMA 2008/12/16 APPR: NIKITA 2009/01/16	GENERAL TOLERANCES (UNLESS SPECIFIED)		DIMENSION STYLE MM ONLY		SCALE 10:1	DESIGN UNITS METRIC	THIRD ANGLE PROJECTION	
	10 UNDER	±---	DRAWN BY M. YAGI		DATE			
	10 OVER 30 UNDER	±---	CHECKED BY A. KANESHIGE		DATE			
	30 OVER	±---	APPROVED BY H. IKESUGI		DATE			
	ANGULAR	±--- °	MATERIAL NO.		SEE TABLE		DOCUMENT NO.	
	DRAFT WHERE APPLICABLE MUST REMAIN WITHIN DIMENSIONS		SIZE A3		THIS DRAWING CONTAINS INFORMATION THAT IS PROPRIETARY TO MOLEX INCORPORATED AND SHOULD NOT BE USED WITHOUT WRITTEN PERMISSION			

TITLE  
53553-\*\*\*7  
STICK PACKAGING

MOLEX INCORPORATED

SD-53553-010

SHEET NO.  
1 OF 1