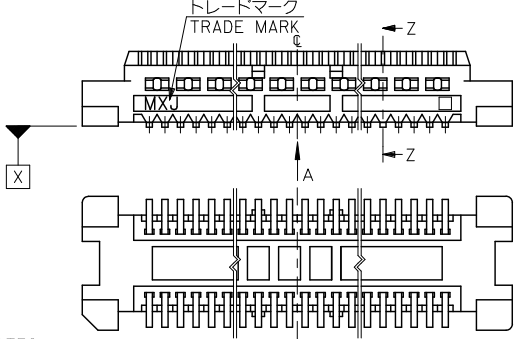
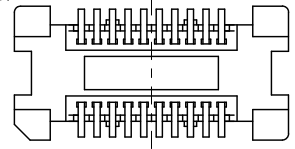
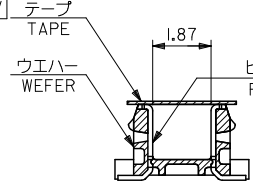
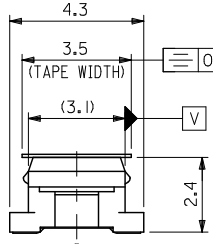
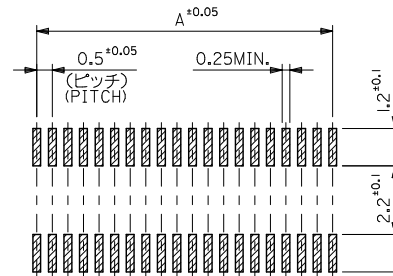
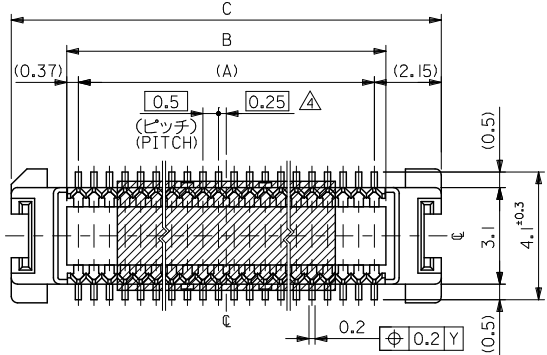


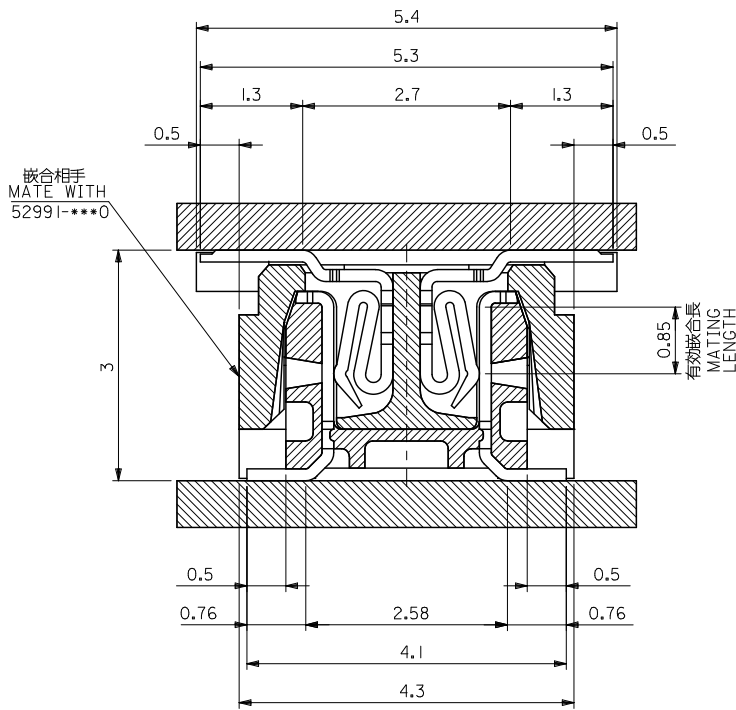
10 9 8 7 6 5 4 3 2 1



- 注記 NOTES:
1. 使用材料 MATERIAL
 ハウジング: LCPガラス入り (白), UL94V-0
 HOUSING: LCP(G.F.) (COLOR: WHITE), UL94V-0
 ターミナル: 黄銅 (t=0.15)
 TERMINAL: BRASS (t=0.15)
 テープ: ポリイミド (t=50µm)
 TAPE: PI (t=50µm)
 2. メッキ仕様 PLATING
 全体仕上げ: 金メッキ 0.1µmMIN.
 ALL OVER: GOLD 0.1µmMIN.
 下地メッキ: ニッケルメッキ 1.5µmMIN.
 UNDER PLATING: NICKEL 1.5µmMIN.
 3. 基準面 X からのソルダテールの半田付け面のズレ量は、上方向 0、下方向 0.15MAX.とする。
 MISALIGNMENT OF SOLDER TAIL FROM X : UPPER DIRECTION 0, LOWER DIRECTION 0.15 MAX.
 4. (全極数/2) = 偶数の場合に適用。
 APPLY FOR (CIRCUIT/2) = EVEN.
 - 5 嵌合相手: 52991 シリーズ
 MATE WITH: 52991 SERIES.
 - 6 テール平坦度は、0.1MAX.
 TAIL COPLANARITY TO BE 0.1MAX.
 7. ELV 及びRoHS 適合品
 ELV AND RoHS COMPLIANT

7.0	23.8	20.24	19.5	53748-0804	53748-0802	80
7.0	16.3	12.74	12.0	53748-0504	53748-0502	50
4.0	11.3	7.74	7.0	53748-0304	53748-0302	30
D	C	B	A	EMBOSSED TAPE ORDER NO.	MATERIAL NO.	極数 CIRCUIT

REVISED EC NO: J2010-1926 DRWNG: TOYODA 2010/03/25 CHKD: SMARYAMA 2010/03/26 APPR: MSASAO 2010/03/29	GENERAL TOLERANCES (UNLESS SPECIFIED)		DIMENSION STYLE MM ONLY		SCALE 8:1	DESIGN UNITS METRIC	THIRD ANGLE PROJECTION
	10 UNDER	±0.2	DRAWN BY S. AIHARA	DATE '96/2/27	TITLE 0.5 B/B CONN PLUG WITH TAPE (W/O BOSS W/O NAIL) SHEET 1 OF 2		
	10 OVER 30 UNDER	±0.25	CHECKED BY H. HIRAMOTO	DATE '96/3/16	MOLEX INCORPORATED		
	30 OVER	±0.3	APPROVED BY H. HIRAMOTO	DATE '96/3/16	MATERIAL NO. SEE TABLE	DOCUMENT NO. SD-53748-003	SHEET NO. 1 OF 2
ANGULAR ±3°			SIZE A3 THIS DRAWING CONTAINS INFORMATION THAT IS PROPRIETARY TO MOLEX INCORPORATED AND SHOULD NOT BE USED WITHOUT WRITTEN PERMISSION				
DRAFT WHERE APPLICABLE MUST REMAIN WITHIN DIMENSIONS							



嵌合断面図 (参考)
MATED DRAWING (REF.)

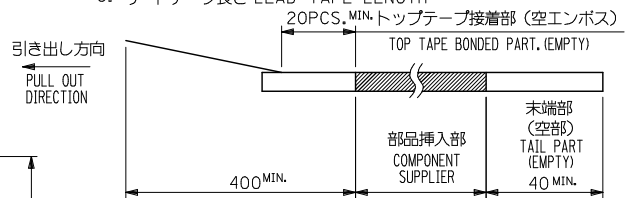
MODEL NO. 53748-***2

REVISED EC NO: J2010-1926 DRW: NK10Y00A 2010/03/25 CHK: D.S.MARUYAMA 2010/03/26 APPR: M.SASAO 2010/03/29	GENERAL TOLERANCES (UNLESS SPECIFIED)		DIMENSION STYLE MM ONLY		SCALE 20:1	DESIGN UNITS METRIC	THIRD ANGLE PROJECTION
	10 UNDER	±---	DRAWN BY S. AIHARA	DATE '96/2/27	TITLE 0.5 B/B CONN PLUG WITH TAPE (W/O BOSS W/O NAIL) SHEET 2 OF 2		
	10 OVER 30 UNDER	±---	CHECKED BY H. HIRAMOTO	DATE '96/3/16	MOLEX INCORPORATED		
	30 OVER	±---	APPROVED BY H. HIRAMOTO	DATE '96/3/16	MATERIAL NO. SEE TABLE	DOCUMENT NO. SD-53748-003	SHEET NO. 2 OF 2
ANGULAR ±--- °		DRAFT WHERE APPLICABLE MUST REMAIN WITHIN DIMENSIONS		THIS DRAWING CONTAINS INFORMATION THAT IS PROPRIETARY TO MOLEX INCORPORATED AND SHOULD NOT BE USED WITHOUT WRITTEN PERMISSION			

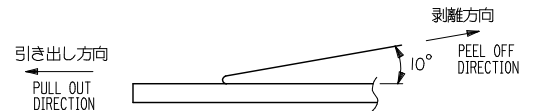
10 9 8 7 6 5 4 3 2 1

NOTES

- 製品詳細寸法については図面 SD-53748-003 を参照下さい。
RE DETAILED DIMENSION, SEE SD-53748-003
- 梱包数量: 3000個/リール
NUMBER OF CONNECTORS: 3000PCS/REEL
- リードテープ長さ LEAD TAPE LENGTH
20PCS, MIN. トップテープ接着部 (空エンボス)
TOP TAPE BONDED PART. (EMPTY)



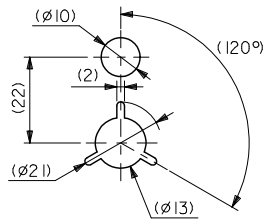
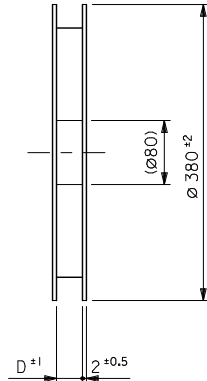
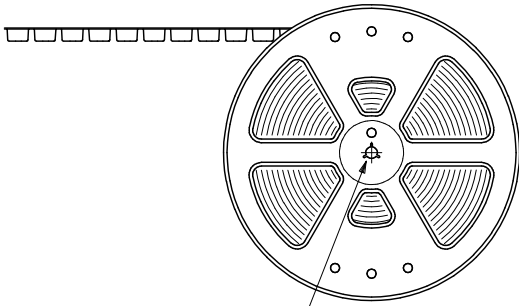
- トップテープの剥離強度: 0.1N ~ 0.7N (10.2gf ~ 71.4gf)
(剥離方向は下図参照)
尚、本規格値は出荷時に適用。(但し、輸送時に剥離が発生しないこと。)
PEELING OFF FORCE OF TOP TAPE: 0.1N ~ 0.7N (10.2gf ~ 71.4gf)
(PEELING DIRECTION AS SHOWN IN FOLLOWING FIG.)
THIS REQUIREMENT SHOULD BE APPLIED AT SHIPMENT.
PEEL OFF SHOULD NOT BE ALLOWED, DURING TRANSPORTATION.



5. 材料 (MATERIAL)

キャリアテープ (CARRIER TAPE): ポリプロピレン (POLYPROPYLENE)
トップテープ (TOP TAPE): PET, PE, PEF
リール (REEL): ポリスチレン (PS) <リサイクル材を含む>
POLYSTYREN (PS) <RECYCLE MATERIAL CONTAINED>

引き出し方向
PULL OUT
DIRECTION

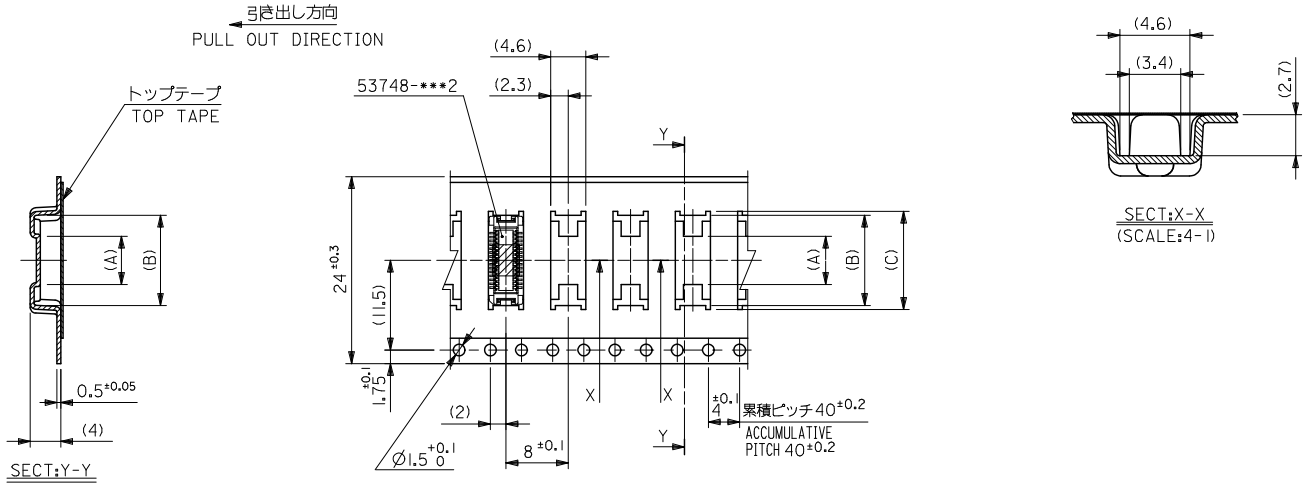


DETAIL "F"

MODEL NO. 53748-***4

REVISED EC NO: J2009-0487 DRAWN BY: DRWNAKURAA 2008/12/08 CHKD: HARUYAMA 2008/12/08 APPR: NIKITA 2009/01/09	GENERAL TOLERANCES (UNLESS SPECIFIED)		DIMENSION STYLE MM ONLY	SCALE ---	DESIGN UNITS METRIC	THIRD ANGLE PROJECTION
	10 UNDER	± 0.2	DRAWN BY S. AIHARA	DATE '06/3/25	TITLE 0.5 BTB KONN PLUG WITH	
	10 OVER 30 UNDER	± 0.25	CHECKED BY T. ITO	DATE '01/1/22	MOLEX INCORPORATED	
	30 OVER	± 0.3	APPROVED BY M. FUKUSHIMA	DATE '01/1/22	DOCUMENT NO. SD-53748-004	SHEET NO. 1 OF 4
ANGULAR $\pm 3^\circ$		MATERIAL NO. SEE TABLE		THIS DRAWING CONTAINS INFORMATION THAT IS PROPRIETARY TO MOLEX INCORPORATED AND SHOULD NOT BE USED WITHOUT WRITTEN PERMISSION		
DRAFT WHERE APPLICABLE MUST REMAIN WITHIN DIMENSIONS						

10 9 8 7 6 5 4 3 2 1



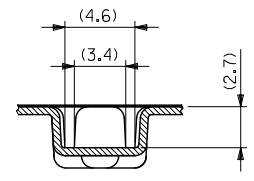
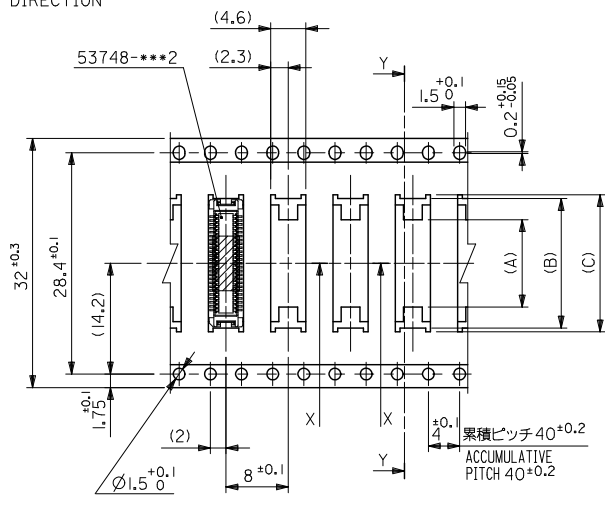
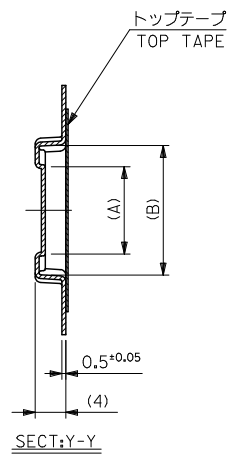
24mm幅キャリアテープ
24mm WIDTH CARRIER TAPE

24	25.5	12.6	11.6	4.9	53748-0304	30
キャリアテープ幅 CARRIER TAPE WIDTH	D	(C)	(B)	(A)	MATERIAL NO.	種数 CKT.
					MODEL NO.	53748-***4

REVISED EC NO: J2009-0487 DRAWN: KANAKURAA 2008/12/08 CHKD: HARUYAMA 2008/12/08 APPR: NIKITA 2009/01/09	GENERAL TOLERANCES (UNLESS SPECIFIED)		DIMENSION STYLE MM ONLY		SCALE ---	DESIGN UNITS METRIC	THIRD ANGLE PROJECTION
	10 UNDER	±---	DRAWN BY S. AIHARA	DATE '96/4/1	TITLE 0.5 BTB CONN PLUG WITH		
	10 OVER 30 UNDER	±---	CHECKED BY T. ITO	DATE '01/1/23	APPROVED BY M. FUKUSHIMA		
	30 OVER	±---	DATE '01/1/23	MOLEX INCORPORATED			
ANGULAR ±--- °		DRAFT WHERE APPLICABLE MUST REMAIN WITHIN DIMENSIONS		MATERIAL NO. SEE TABLE	DOCUMENT NO. SD-53748-004	SHEET NO. 2 OF 4	

10 9 8 7 6 5 4 3 2 1

引き出し方向
PULL OUT DIRECTION



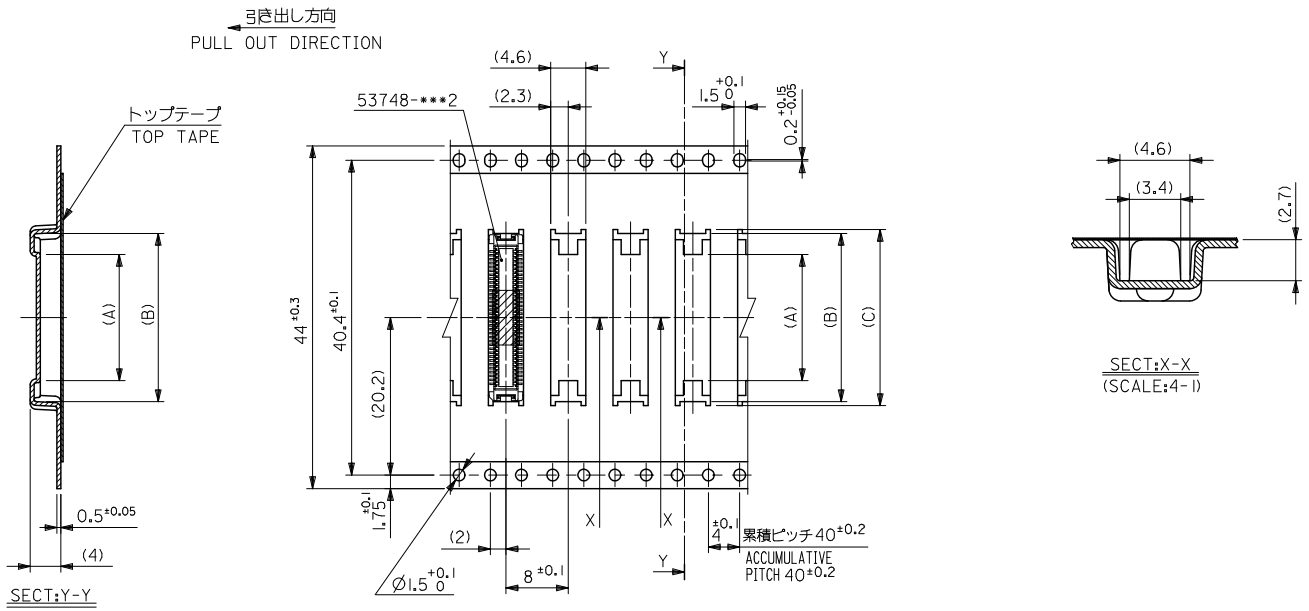
32mm幅キャリアテープ
32mm WIDTH CARRIER TAPE

32	33.5	17.6	16.6	11.2	53748-0504	50
キャリアテープ幅 CARRIER TAPE WIDTH	D	(C)	(B)	(A)	MATERIAL NO.	種数 CKT.

MODEL NO. 53748-***4

REVISED E.C. NO: J2009-0487 DRAWN: KANAKURAA 2008/12/08 CHECKED: HARUYAMA 2008/12/08 APPROVED: ITO 2009/01/09	GENERAL TOLERANCES (UNLESS SPECIFIED)		DIMENSION STYLE MM ONLY		SCALE ---	DESIGN UNITS METRIC	THIRD ANGLE PROJECTION
	10 UNDER	±---	DRAWN BY T. YASUI	DATE '96/4/16	TITLE 0.5 BTB CONN PLUG WITH		
	10 OVER 30 UNDER	±---	CHECKED BY T. ITO	DATE '01/1/23	MOLEX INCORPORATED		
	30 OVER	±---	APPROVED BY M. FUKUSHIMA	DATE '01/1/23	DOCUMENT NO. SD-53748-004	SHEET NO. 3 OF 4	
ANGULAR ±--- °		DRAFT WHERE APPLICABLE MUST REMAIN WITHIN DIMENSIONS		THIS DRAWING CONTAINS INFORMATION THAT IS PROPRIETARY TO MOLEX INCORPORATED AND SHOULD NOT BE USED WITHOUT WRITTEN PERMISSION			

10 9 8 7 6 5 4 3 2 1



44mm幅キャリアテープ
44mm WIDTH CARRIER TAPE

44	45.5	25.1	24.1	18.7	53748-0804	80
キャリアテープ幅 CARRIER TAPE WIDTH	D	(C)	(B)	(A)	MATERIAL NO.	種数 CKT.

MODEL NO. 53748-***4

REVISED E.C. NO: J2009-0487 DRAWN: KANAKURA 2008/12/08 CHECKED: HARUYAMA 2008/12/08 APPROVED: ITO 2009/01/09	GENERAL TOLERANCES (UNLESS SPECIFIED)		DIMENSION STYLE MM ONLY		SCALE ---	DESIGN UNITS METRIC	THIRD ANGLE PROJECTION
	10 UNDER	±---	DRAWN BY T. YASUI	DATE '96/4/16	TITLE 0.5 BTB CONN PLUG WITH		
	10 OVER 30 UNDER	±---	CHECKED BY T. ITO	DATE '01/1/23	MOLEX INCORPORATED		
	30 OVER	±---	APPROVED BY M. FUKUSHIMA	DATE '01/1/23	DOCUMENT NO. SD-53748-004	SHEET NO. 4 OF 4	
ANGULAR ±--- °		DRAFT WHERE APPLICABLE MUST REMAIN WITHIN DIMENSIONS		THIS DRAWING CONTAINS INFORMATION THAT IS PROPRIETARY TO MOLEX INCORPORATED AND SHOULD NOT BE USED WITHOUT WRITTEN PERMISSION			