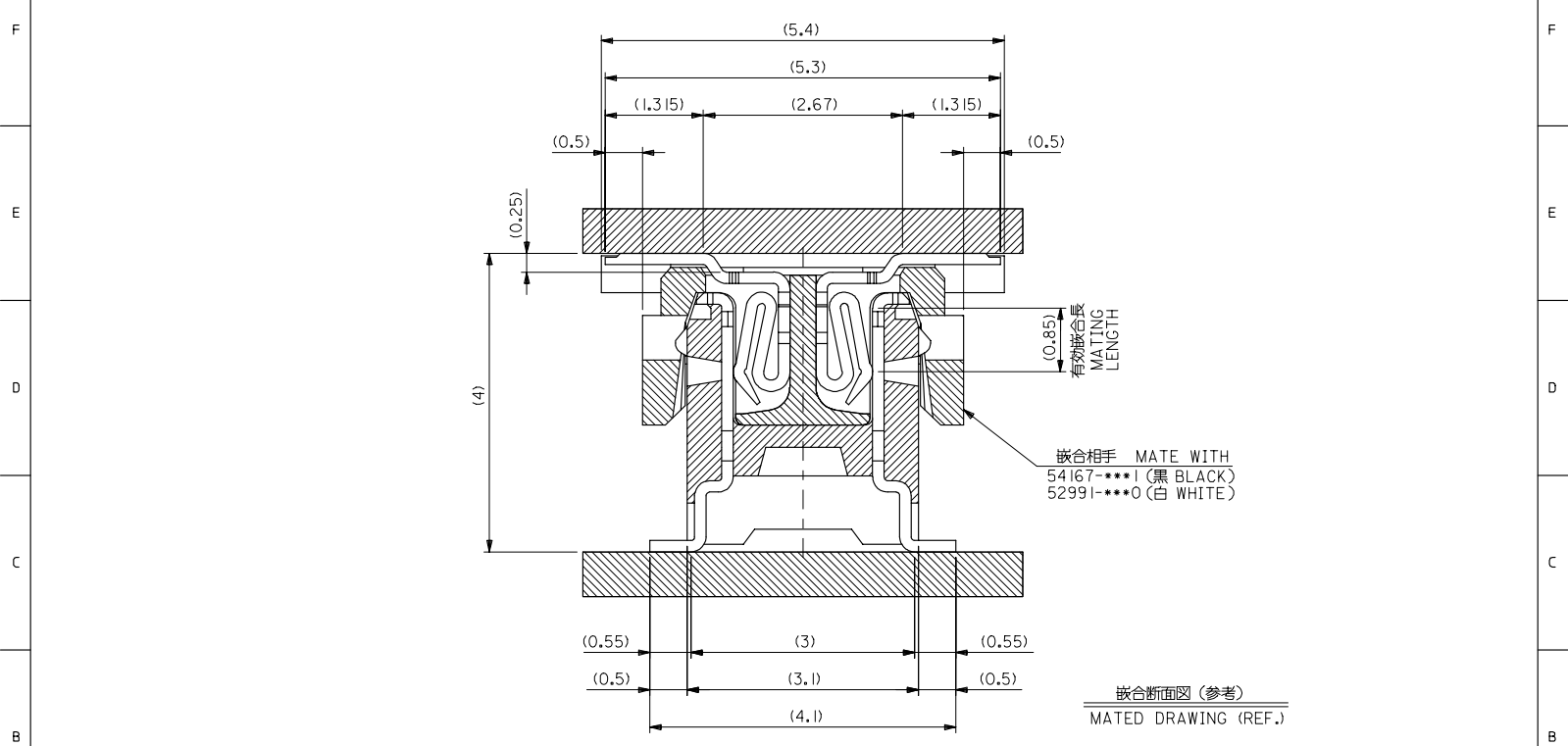


10 9 8 7 6 5 4 3 2 1



REVISED		GENERAL TOLERANCES (UNLESS SPECIFIED)		DIMENSION STYLE		SCALE		DESIGN UNITS		MODEL NO.	
IEC NO. J2006-0604		10 UNDER ± ---		MM ONLY		---		METRIC		53916-***1	
DRAWN BY DR. WAKAIDA		10 OVER 30 UNDER ± ---		DRAWN BY S. AIHARA		DATE '96/11/28		THIRD ANGLE PROJECTION		MODEL NO.	
CHKD BY CHIKAKI YODA		30 OVER ± ---		CHECKED BY M. SASAO		DATE '01/12/26		TITLE		0.5 B/B CONN PLUG ASSY (W/O BOSS, W/O NAIL) -LEAD FREE-	
APPR. BY NIKITA		ANGULAR ± --- °		APPROVED BY M. SASAO		DATE '01/12/26		MOLEX INCORPORATED		SHEET NO. 2 OF 2	
DESCRIPTION		DRAFT WHERE APPLICABLE MUST REMAIN WITHIN DIMENSIONS		MATERIAL NO.		SEE CHART		DOCUMENT NO.		SD-53916-001	
REV				SIZE		A3		THIS DRAWING CONTAINS INFORMATION THAT IS PROPRIETARY TO MOLEX INCORPORATED AND SHOULD NOT BE USED WITHOUT WRITTEN PERMISSION		EN-02JA(021)	

10 9 8 7 6 5 4 3 2 1

F

E

D

C

B

A

F

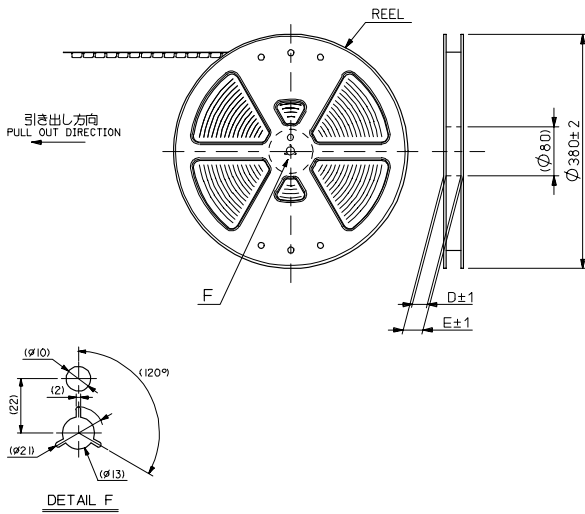
E

D

C

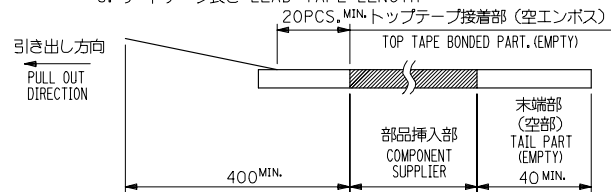
B

A

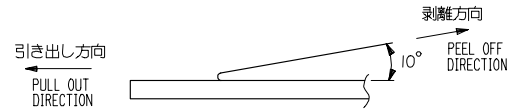


NOTES

- 製品詳細寸法については図面 SD-53916-001 を参照下さい。
RE DETAILED DIMENSION, SEE SD-53916-001
- 梱包数量: 1500個/リール
NUMBER OF CONNECTORS: 1500PCS/REEL
- リードテープ長さ LEAD TAPE LENGTH



- トップテープの剥離強度: 0.1N~1.3N (10gf~130gf) (剥離方向は下図参照) 尚、本規格値は出荷時に適用。(但し、輸送時に剥離が発生しないこと。)
PEELING OFF FORCE OF TOP TAPE: 0.1N~1.3N (10gf~130gf)
(PEELING DIRECTION AS SHOWN IN FOLLOWING FIG.)
THIS REQUIREMENT SHOULD BE APPLIED AT SHIPMENT.
PEEL OFF SHOULD NOT BE ALLOWED, DURING TRANSPORTATION.



- 材料(MATERIAL)
キャリアテープ(CARRIER TAPE): ポリプロピレン(POLYPROPYLENE)
トップテープ(TOPTAPE): PET, PE, PEF
リール(REEL): ポリスチレン (P S) <リサイクル材を含む>
POLYSTYREN(P S) <RECYCLE MATERIAL CONTAINED>

53916-***8 MODEL NO.

REVISED EC NO: J2006-0604 DRAWN BY DRYUMADA CHKD BY CHIKAKIYODA APP: NUKITA 2005/08/31 2005/09/01 2005/09/09	GENERAL TOLERANCES (UNLESS SPECIFIED)		DIMENSION STYLE MM ONLY		SCALE ---	DESIGN UNITS METRIC	THIRD ANGLE PROJECTION
	10 UNDER	±0.2	DRAWN BY S. AIHARA	DATE '96/11/27	TITLE 0.5 B/B CONN PLUG ASSY EMBSTP PKG -LEAD FREE-		
	10 OVER 30 UNDER	±0.25	CHECKED BY T. ITO	DATE '01/01/26	MOLEX INCORPORATED		
	30 OVER	±0.3	APPROVED BY M. FUKUSHIMA	DATE '01/01/26	DOCUMENT NO. SD-53916-002		
G	ANGULAR	±3 °	MATERIAL NO. SEE CHART		SHEET NO. 1 OF 4		
DRAFT WHERE APPLICABLE MUST REMAIN WITHIN DIMENSIONS			SIZE A3		THIS DRAWING CONTAINS INFORMATION THAT IS PROPRIETARY TO MOLEX INCORPORATED AND SHOULD NOT BE USED WITHOUT WRITTEN PERMISSION		

9

8

7

6

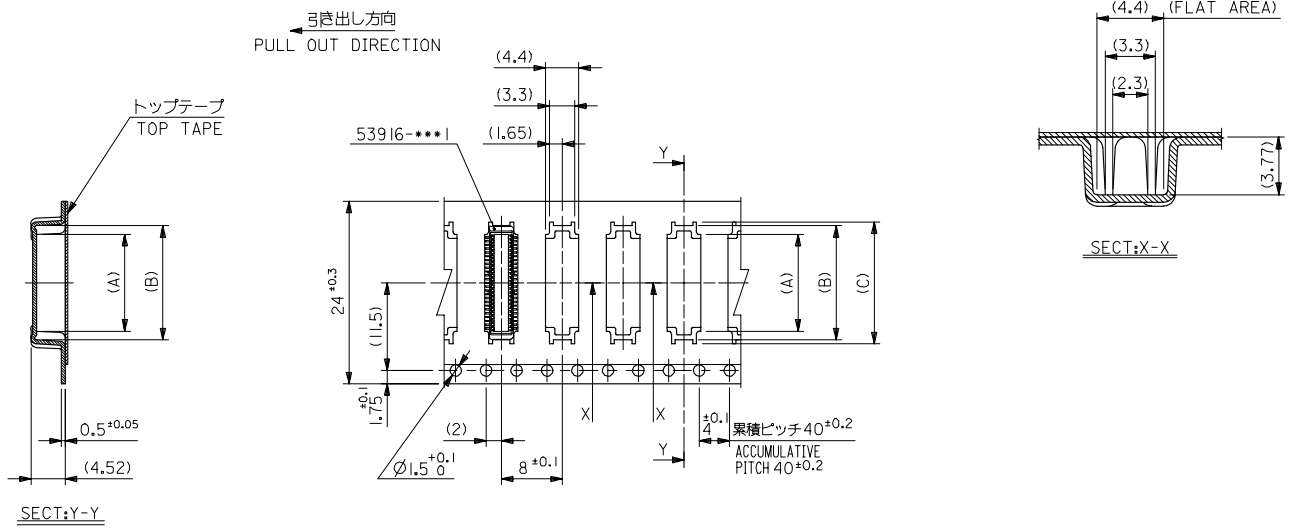
5

4

3

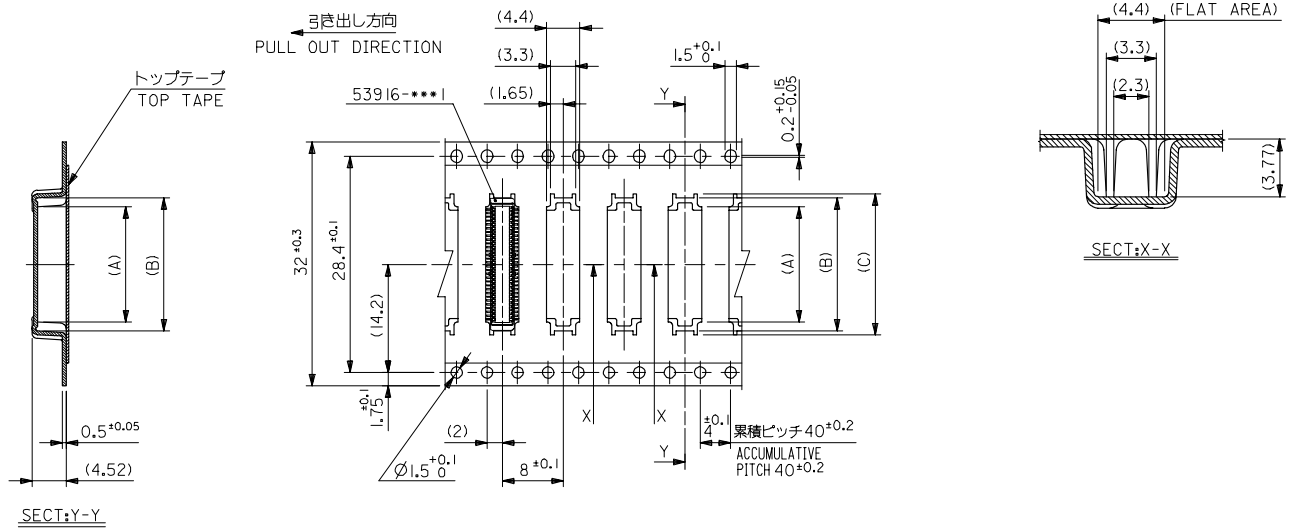
2

EN-02JA(021)



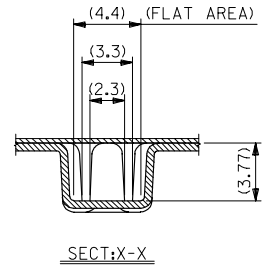
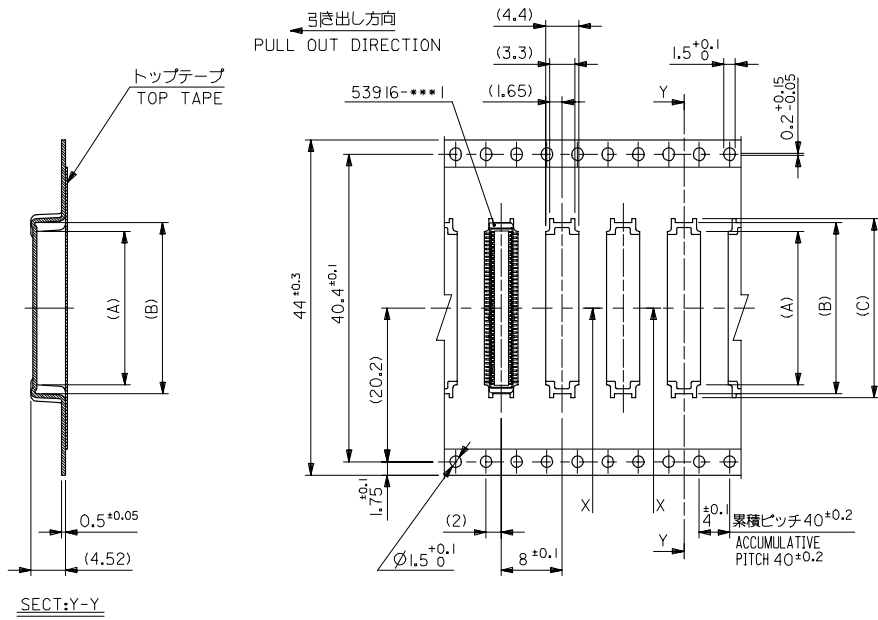
24mm幅キャリアテープ
24mm WIDTH CARRIER TAPE

REVISED EC NO. J2006-0604 DRAWN BY DR. NAITA CHKD BY CHIKAKI YODA APPR. NIKITA 2005/08/31 2005/09/01 2005/09/09	DESCRIPTION	53916-***8	MODEL NO.	キャリアテープ幅 CARRIER TAPE WIDTH	24	29.4	25.4	16	15	12.67	53916-0508	50
		GENERAL TOLERANCES (UNLESS SPECIFIED)	DIMENSION STYLE MM ONLY	SCALE	DESIGN UNITS METRIC	THIRD ANGLE PROJECTION		13.5	12.5	10.17	53916-0408	40
		10 UNDER ± ---	DRAWN BY S. AIHARA	DATE '96/11/27	TITLE		11	10	7.67	53916-0308	30	
		10 OVER 30 UNDER ± ---	CHECKED BY T. ITO	DATE '01/01/26	0.5 B/B CONN PLUG ASSY EMBSTP PKG -LEAD FREE-		8.5	7.5	5.17	53916-0208	20	
30 OVER ± ---	APPROVED BY M. FUKUSHIMA	DATE '01/01/26	MOLEX INCORPORATED		MATERIAL NO.		CIRCUIT					
ANGULAR ± --- °	DRAFT WHERE APPLICABLE MUST REMAIN WITHIN DIMENSIONS	SEE CHART	SD-53916-002		DOCUMENT NO.		SHEET NO.		2 OF 4			
				SIZE A3		THIS DRAWING CONTAINS INFORMATION THAT IS PROPRIETARY TO MOLEX INCORPORATED AND SHOULD NOT BE USED WITHOUT WRITTEN PERMISSION						



32mm幅キャリアテープ
32mm WIDTH CARRIER TAPE

REVISED	EC NO. J2006-0604	2005/08/31	2005/09/01	2005/09/09	DESCRIPTION	53916-***8	MODEL NO.	32	37.4	33.4	18.5	17.5	15.17	53916-0608	60
	DRW:NAIDA	CHK:KTYODA	APP:NIKIITA		GENERAL TOLERANCES (UNLESS SPECIFIED)			キャリアテープ幅 CARRIER TAPE WIDTH	E	D	(C)	(B)	(A)	MATERIAL NO.	種数 CIRCUIT
					10 UNDER ± ---			DIMENSION STYLE	MM ONLY			SCALE	DESIGN UNITS	THIRD ANGLE PROJECTION	
					10 OVER 30 UNDER ± ---			DRAWN BY	T. YASUI			DATE	'97/05/14		
					30 OVER ± ---			CHECKED BY	T. ITO			DATE	'01/01/26		
					ANGULAR ± --- °			APPROVED BY	M. FUKUSHIMA			DATE	'01/01/26		
					DRAFT WHERE APPLICABLE MUST REMAIN WITHIN DIMENSIONS			MATERIAL NO.	SEE CHART			DOCUMENT NO.	SD-53916-002		
								SIZE	A3			THIS DRAWING CONTAINS INFORMATION THAT IS PROPRIETARY TO MOLEX INCORPORATED AND SHOULD NOT BE USED WITHOUT WRITTEN PERMISSION			
								MOLEX INCORPORATED			SHEET NO. 3 OF 4				



SECT:Y-Y
44mm幅キャリアテープ
44mm WIDTH CARRIER TAPE

REVISED REV. NO. J2006-0604 EC NO. 2005/0813 DRAWN BY CHIKAKI YODA CHKD BY T. ITO APPR. NIKITA 2005/09/01 2005/09/09	53916-***8	MODEL NO.	44	49.4	45.4	23.5	22.5	20.17	53916-0808	80
	GENERAL TOLERANCES (UNLESS SPECIFIED)		DIMENSION STYLE MM ONLY		SCALE ---	DESIGN UNITS METRIC		THIRD ANGLE PROJECTION		
	10 UNDER	±---	DRAWN BY S. AIHARA		DATE '98/10/23	TITLE 0.5 B/B CONN PLUG ASSY EMBSTP PKG -LEAD FREE-				
	10 OVER 30 UNDER	±---	CHECKED BY T. ITO		DATE '01/01/26	MOLEX INCORPORATED				
30 OVER	±---	APPROVED BY M. FUKUSHIMA		DATE '01/01/26	MATERIAL NO.		DOCUMENT NO. SD-53916-002		SHEET NO. 4 OF 4	
ANGULAR	±---°	DRAFT WHERE APPLICABLE MUST REMAIN WITHIN DIMENSIONS		SEE CHART		THIS DRAWING CONTAINS INFORMATION THAT IS PROPRIETARY TO MOLEX INCORPORATED AND SHOULD NOT BE USED WITHOUT WRITTEN PERMISSION				