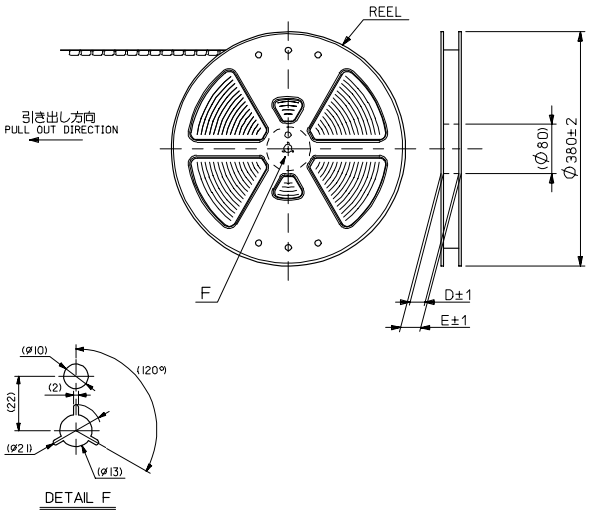
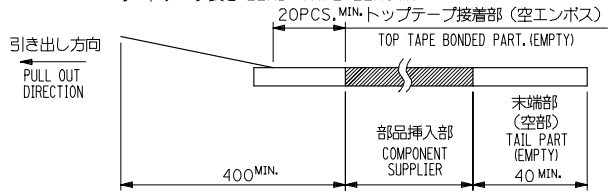


10 9 8 7 6 5 4 3 2 1

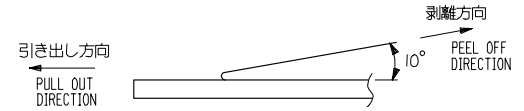


**NOTES**

1. 製品詳細寸法については図面 SD-54167-001 を参照下さい。  
RE DETAILED DIMENSION, SEE SD-54167-001
2. 梱包数量：3000個/リール  
NUMBER OF CONNECTORS : 3000PCS/REEL
3. リードテープ長さ LEAD TAPE LENGTH



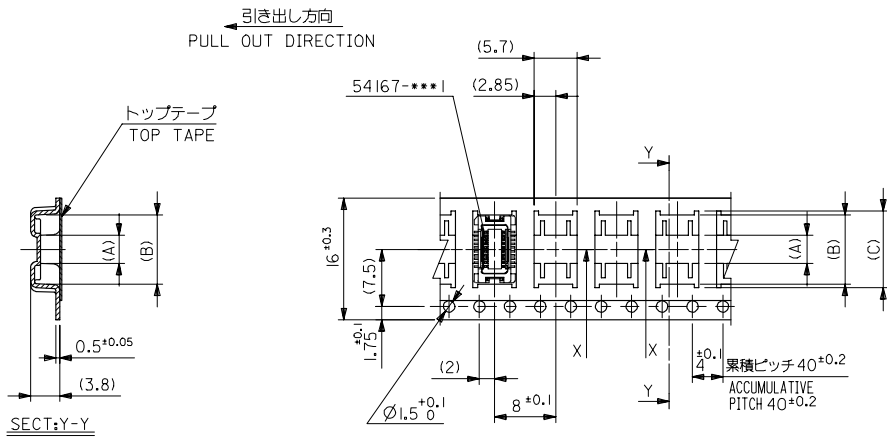
4. トップテープの剥離強度：0.1N~1.3 (10gf~130gf) (剥離方向は下図参照) 尚、本規格値は出荷時に適用。(但し、輸送時に剥離が発生しないこと。)  
PEELING OFF FORCE OF TOP TAPE : 0.1N~1.3 (10gf~130gf)  
(PEELING DIRECTION AS SHOWN IN FOLLOWING FIG.)  
THIS REQUIREMENT SHOULD BE APPLIED AT SHIPMENT.  
PEEL OFF SHOULD NOT BE ALLOWED , DURING TRANSPORTATION.



5. 材料 (MATERIAL)  
キャリアテープ (CARRIER TAPE) : ポリプロピレン (POLYPROPYLENE)  
トップテープ (TOP TAPE) : PET , PE , PEF  
リール (REEL) : ポリスチレン (P.S) <リサイクル材を含む>  
POLYSTYRENE (PS) <RECYCLE MATERIAL CONTAINED>

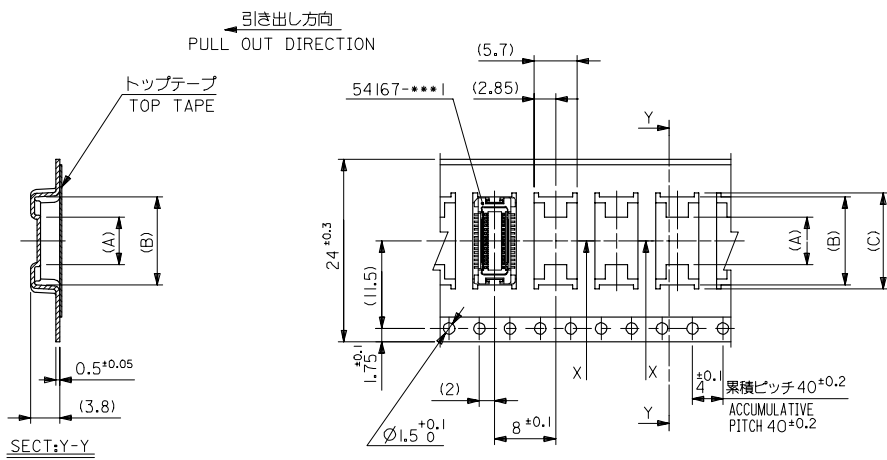
54167\*\*\*8 MODEL NO.

REVISED EC NO: J2006-0604 DRW: NAITA CHK: KTYODA APP: NUKITA	2005/08/31	2005/09/01	2005/09/09	GENERAL TOLERANCES (UNLESS SPECIFIED)	DIMENSION STYLE MM ONLY		SCALE ---	DESIGN UNITS METRIC	THIRD ANGLE PROJECTION	
	10 UNDER	±0.2	DRAWN BY S. AIHARA		DATE '96/11/25	TITLE 0.5 B/B CONN REC HSG ASSY EMBSTP PKG -LEAD FREE-				
	10 OVER 30 UNDER	±0.25	CHECKED BY T. ITO		DATE '00/12/06	MOLEX INCORPORATED				
	30 OVER	±0.3	APPROVED BY M. FUKUSHIMA		DATE '00/12/06	DOCUMENT NO. SD-54167-002				
DESCRIPTION				ANGULAR	±3 °	MATERIAL NO.	SEE CHART			SHEET NO. 1 OF 6
DRAFT WHERE APPLICABLE MUST REMAIN WITHIN DIMENSIONS				SIZE A3		THIS DRAWING CONTAINS INFORMATION THAT IS PROPRIETARY TO MOLEX INCORPORATED AND SHOULD NOT BE USED WITHOUT WRITTEN PERMISSION				



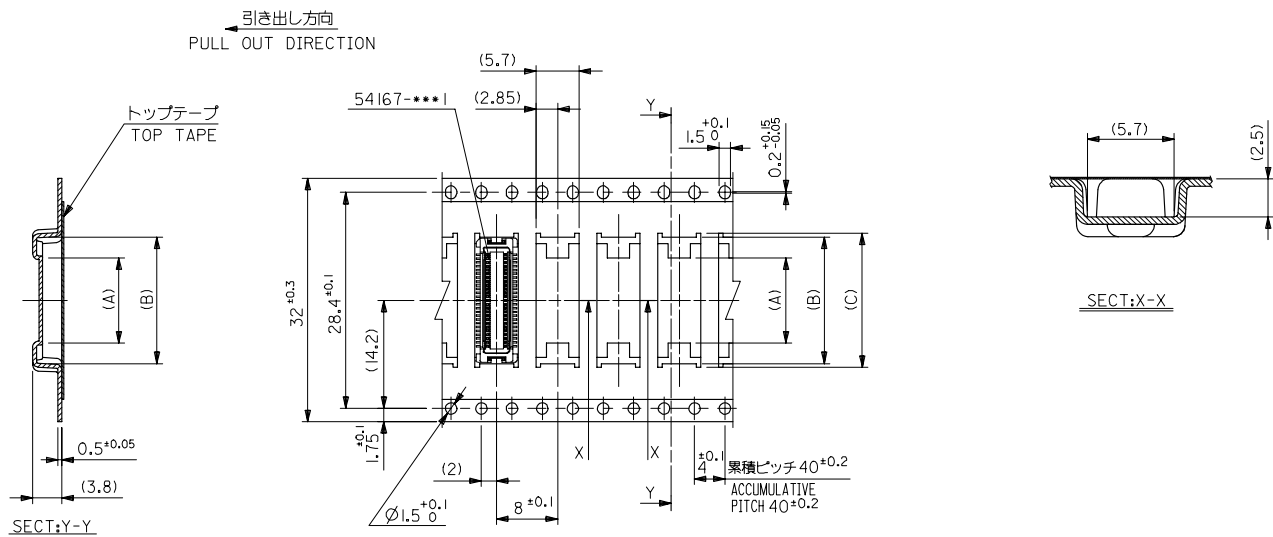
16mm幅キャリアテープ  
16mm WIDTH CARRIER TAPE

REVISED REV. NO. J2006-0604 EC NO. J2006-0604 DRAWN BY CHIKAKI YODA CHKD BY T. ITO APP. BY N. ITO DATE 2005/09/01 DATE 2005/09/01 DATE 2005/09/09	54167***8	MODEL NO.	16	21.4	17.4	10.1	9.1	3.7	54167-0208	20	
	GENERAL TOLERANCES (UNLESS SPECIFIED)		DIMENSION STYLE MM ONLY		SCALE ---	DESIGN UNITS METRIC		THIRD ANGLE PROJECTION			
	10 UNDER	± ---	DRAWN BY S. AIHARA	DATE '97/05/09		TITLE 0.5 B/B CONN REC HSG ASSY EMBSTP PKG -LEAD FREE-					
	10 OVER 30 UNDER	± ---	CHECKED BY T. ITO	DATE '00/12/06		MOLEX INCORPORATED					
30 OVER	± ---	APPROVED BY M. FUKUSHIMA	DATE '00/12/06		MATERIAL NO.		DOCUMENT NO. SD-54167-002		SHEET NO. 2 OF 6		
ANGULAR	± --- °	DRAFT WHERE APPLICABLE MUST REMAIN WITHIN DIMENSIONS		SEE CHART		THIS DRAWING CONTAINS INFORMATION THAT IS PROPRIETARY TO MOLEX INCORPORATED AND SHOULD NOT BE USED WITHOUT WRITTEN PERMISSION					



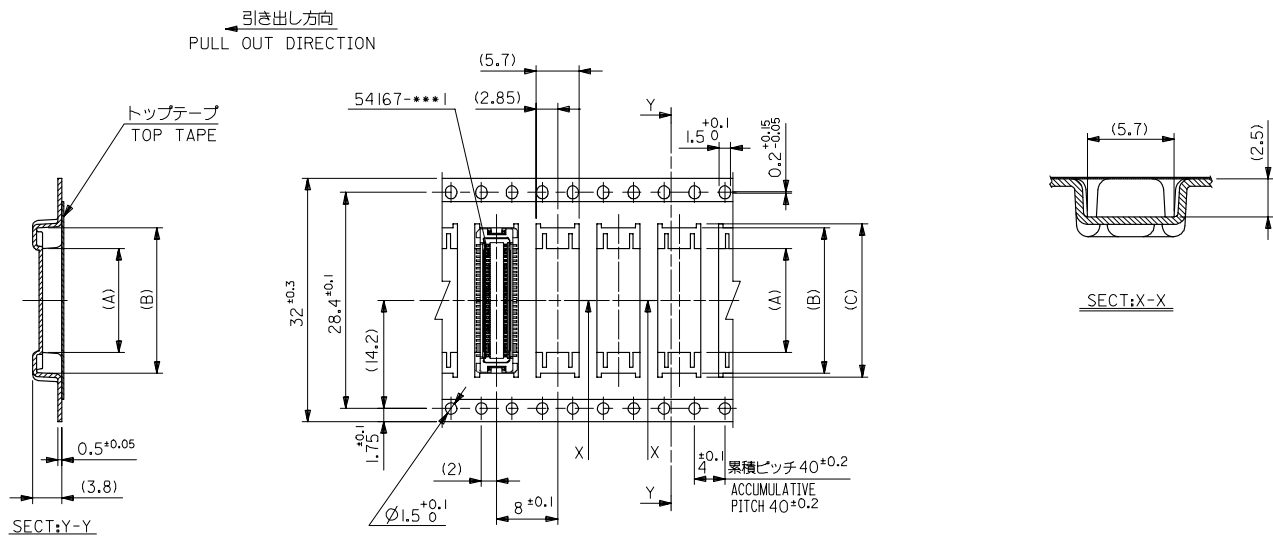
24mm幅キャリアテープ  
24mm WIDTH CARRIER TAPE

REVISED REV. NO. J2006-0604 EC NO. J2006-0604 DRAWN BY DRW:NAIDA CHK:KTOYODA APP:NUKITA	DESCRIPTION 2005/08/31 2005/09/01 2005/09/09	54167***8	MODEL NO.	24	29.4	25.4	15.1	14.1	7.4	54167-0408	40
				キャリアテープ幅 CARRIER TAPE WIDTH	E	D	(C)	(B)	(A)	MATERIAL NO.	極数 CIRCUIT
GENERAL TOLERANCES (UNLESS SPECIFIED)		DIMENSION STYLE MM ONLY		SCALE ---		DESIGN UNITS METRIC		THIRD ANGLE PROJECTION			
10 UNDER ±---		DRAWN BY S. AIHARA		DATE '97/05/09		TITLE 0.5 B/B CONN REC HSG ASSY EMBSTP PKG -LEAD FREE-					
10 OVER 30 UNDER ±---		CHECKED BY T. ITO		DATE '00/12/06							
30 OVER ±---		APPROVED BY M. FUKUSHIMA		DATE '00/12/06		MOLEX INCORPORATED					
ANGULAR ±--- °		MATERIAL NO.		DOCUMENT NO.							
DRAFT WHERE APPLICABLE MUST REMAIN WITHIN DIMENSIONS		SEE CHART		SD-54167-002		SHEET NO. 3 OF 6					



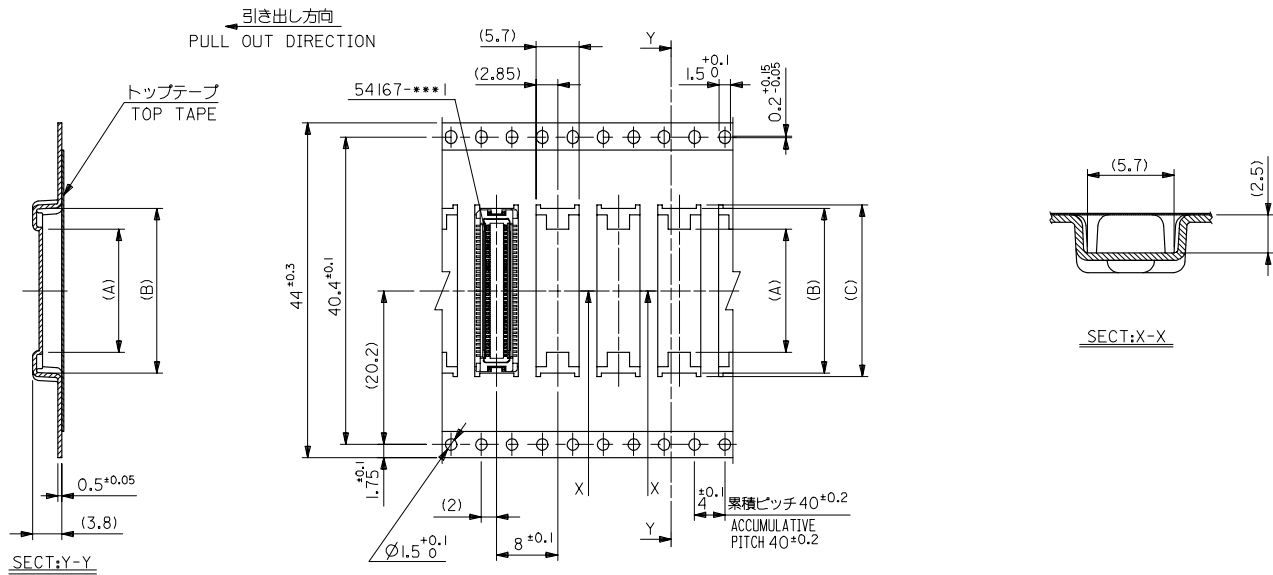
32mm幅キャリアテープ  
32mm WIDTH CARRIER TAPE

REVISED EC NO. J2006-0604 DRAWN BY DR. WAKUDA CHKD BY CHIKAKIYODA APP. BY MUKITA	54167***8	MODEL NO.	32	37.4	33.4	17.6	16.6	11.2	54167-0508	50	
	GENERAL TOLERANCES (UNLESS SPECIFIED)		DIMENSION STYLE MM ONLY		SCALE ---	DESIGN UNITS METRIC		THIRD ANGLE PROJECTION			
	10 UNDER	±---	DRAWN BY S. AIHARA	DATE '96/11/25	TITLE 0.5 B/B CONN REC HSG ASSY EMBSTP PKG -LEAD FREE-						
	10 OVER 30 UNDER	±---	CHECKED BY T. ITO	DATE '00/12/06	MOLEX INCORPORATED						
30 OVER	±---	APPROVED BY M. FUKUSHIMA	DATE '00/12/06	MATERIAL NO.		DOCUMENT NO.		SHEET NO.			
ANGULAR ±--- °		DRAFT WHERE APPLICABLE MUST REMAIN WITHIN DIMENSIONS		SEE CHART		SD-54167-002		4 OF 6			
THIS DRAWING CONTAINS INFORMATION THAT IS PROPRIETARY TO MOLEX INCORPORATED AND SHOULD NOT BE USED WITHOUT WRITTEN PERMISSION											



32mm幅キャリアテープ  
32mm WIDTH CARRIER TAPE

REVISED EC NO. J2006-0604 DRAWN BY T. YASUDA CHKD BY CHIKAKI YODA APPR. BY M. NIKITA	54167***8	MODEL NO.	32	37.4	33.4	20.1	19.1	13.7	54167-0608	60
	GENERAL TOLERANCES (UNLESS SPECIFIED)		DIMENSION STYLE MM ONLY		SCALE ---	DESIGN UNITS METRIC		THIRD ANGLE PROJECTION		
	10 UNDER	± ---	DRAWN BY T. YASUI		DATE '97/05/14		TITLE 0.5 B/B CONN REC HSG ASSY EMBSTP PKG -LEAD FREE-			
	10 OVER 30 UNDER	± ---	CHECKED BY T. ITO		DATE '00/12/06		MOLEX INCORPORATED			
30 OVER	± ---	APPROVED BY M. FUKUSHIMA		DATE '00/12/06		MATERIAL NO. SEE CAHRT		DOCUMENT NO. SD-54167-002		SHEET NO. 5 OF 6
ANGULAR ±1 °		DRAFT WHERE APPLICABLE MUST REMAIN WITHIN DIMENSIONS		THIS DRAWING CONTAINS INFORMATION THAT IS PROPRIETARY TO MOLEX INCORPORATED AND SHOULD NOT BE USED WITHOUT WRITTEN PERMISSION						



44mm幅キャリアテープ  
44mm WIDTH CARRIER TAPE

REVISED REV. NO. J2006-0604 EC NO. 2005/0813 DRAWN BY CHIKAKI YODA CHKD BY T. ITO APP. BY MUKITA 2005/09/01 2005/09/09	54167***8	MODEL NO.	44	49.4	45.4	25.1	24.1	17.5	54167-0808	80
	GENERAL TOLERANCES (UNLESS SPECIFIED)		DIMENSION STYLE MM ONLY		SCALE ---	DESIGN UNITS METRIC		THIRD ANGLE PROJECTION		
	10 UNDER	± ---	DRAWN BY S. AIHARA		DATE '98/10/23	TITLE 0.5 B/B CONN REC HSG ASSY EMBSTP PKG -LEAD FREE-				
	10 OVER 30 UNDER	± ---	CHECKED BY T. ITO		DATE '00/12/06	MOLEX INCORPORATED				
30 OVER	± ---	APPROVED BY M. FUKUSHIMA		DATE '00/12/06	MATERIAL NO.		DOCUMENT NO. SD-54167-002		SHEET NO. 6 OF 6	
ANGULAR	± --- °	DRAFT WHERE APPLICABLE MUST REMAIN WITHIN DIMENSIONS		SEE CHART		THIS DRAWING CONTAINS INFORMATION THAT IS PROPRIETARY TO MOLEX INCORPORATED AND SHOULD NOT BE USED WITHOUT WRITTEN PERMISSION				