

注記 NOTES:

1. 使用材料 MATERIAL
 ハウジング: LCPガラス入り (白), UL94V-0
 HOUSING: LCP(G.F.) (COLOR: WHITE), UL94V-0
 ターミナル: リン青銅 (t=0.15)
 TERMINAL: PHOSPHOR BRONZE (t=0.15)
 2. メッキ仕様 PLATING
 全体仕上げ: 金メッキ 0.1 MICROMETER MIN.
 ALL OVER: GOLD 0.1 MICROMETER MIN.
 下地メッキ: ニッケルメッキ 1.5 MICROMETER MIN.
 UNDER PLATING: NICKEL 1.5 MICROMETER MIN.
 3. 基準面 X からのソルダータールの半田付け面のズレ量は、上方向 0、下方向 0.15MAX. とする。
 MISALIGNMENT OF SOLDER TAIL FROM X
 : UPPER DIRECTION 0, LOWER DIRECTION 0.15 MAX.
- △ (全極数/2) = 偶数の場合に適用。
 APPLY FOR (CIRCUIT/2) = EVEN.

- 5 嵌合相手: 53748 シリーズ 53916 シリーズ 502280 シリーズ
 MATE WITH: 53748 SERIES, 53916 SERIES, 502280 SERIES.
- 6 テール平坦度は、0.1MAX.
 TAIL COPLANARITY TO BE 0.1MAX.

23.8	20.2	19.5	52991-0800	80
21.3	17.7	17.0	-0700	70
18.8	15.2	14.5	-0600	60
16.3	12.7	12.0	-0500	50
13.8	10.2	9.5	-0400	40
11.3	7.7	7.0	-0300	30
8.8	5.2	4.5	52991-0200	20
C	B	A	MATERIAL NO.	極数 CIRCUIT

REVISED REV D	EC NO: J2007-0273	2006/07/28	GENERAL TOLERANCES (UNLESS SPECIFIED)	DIMENSION STYLE MM ONLY	SCALE 8:1	DESIGN UNITS METRIC	THIRD ANGLE PROJECTION
	DRWN: TENAGASE	2006/08/03	10 UNDER ±0.2	DRAWN BY S. AIHARA	DATE '96/02/27	TITLE 0.5 B/B CONN REC HOUSING ASSY(W/O BOSS, W/O NAIL) -LEAD FREE-	
	CHKD: THAYAMA	2006/08/03	10 OVER 30 UNDER ±0.25	CHECKED BY M. SASAO	DATE '01/12/26		
	APPR: NUKITA	2006/08/07	30 OVER ±0.3	APPROVED BY M. SASAO	DATE '01/12/26		
DESCRIPTION			ANGULAR ±3 °	MATERIAL NO.	SEE CHART	DOCUMENT NO. SD-52991-004	SHEET NO. 1 OF 1
DRAFT WHERE APPLICABLE MUST REMAIN WITHIN DIMENSIONS			SIZE A3	THIS DRAWING CONTAINS INFORMATION THAT IS PROPRIETARY TO MOLEX INCORPORATED AND SHOULD NOT BE USED WITHOUT WRITTEN PERMISSION			

10 9 8 7 6 5 4 3 2 1

F

E

D

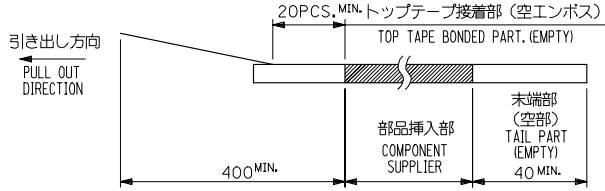
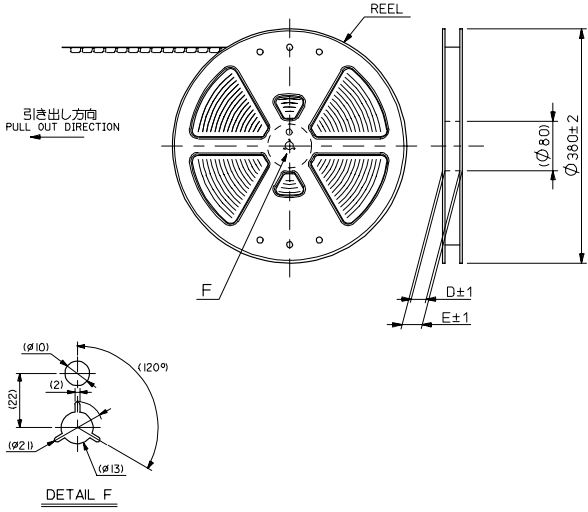
C

B

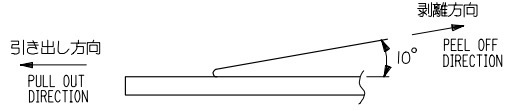
A

NOTES

1. 製品詳細寸法については図面 SD-52991-004 を参照下さい。
RE DETAILED DIMENSION, SEE SD-52991-004
2. 梱包数量：3000個/リール
NUMBER OF CONNECTORS : 3000PCS/REEL
3. リードテープ長さ LEAD TAPE LENGTH



4. トップテープの剥離強度：0.1N~1.3N (10gf~130gf) (剥離方向は下図参照)
尚、本規格値は出荷時に適用。(但し、輸送時に剥離が発生しないこと。)
PEELING OFF FORCE OF TOP TAPE : 0.1N~1.3N (10gf~130gf)
(PEELING DIRECTION AS SHOWN IN FOLLOWING FIG.)
THIS REQUIREMENT SHOULD BE APPLIED AT SHIPMENT.
PEEL OFF SHOULD NOT BE ALLOWED , DURING TRANSPORTATION.



5. 材料 (MATERIAL)
キャリアテープ (CARRIER TAPE) : ポリプロピレン (POLYPROPYLENE)
トップテープ (TOPTAPE) : PET , PE , PEF
リール (REEL) : ポリスチレン (P.S) <リサイクル材を含む>
POLYSTYRENE (P.S) <RECYCLE MATERIAL CONTAINED>

52991-***8 MODEL NO.

REVISED REV. D	EC NO. J2006-0604	GENERAL TOLERANCES (UNLESS SPECIFIED)	DIMENSION STYLE MM ONLY	SCALE ---	DESIGN UNITS METRIC	THIRD ANGLE PROJECTION
	2005/08/31 DRAWN BY I. NAKAMURA	10 UNDER ±0.2	DRAWN BY T. N. IITSU	DATE '95/10/17	TITLE 0.5 B/B CONN REC HSG ASSY EMBSTP PKG -LEAD FREE-	MOLEX INCORPORATED
	2005/09/01 CHKD BY CHIKAKI YODA	10 OVER 30 UNDER ±0.25	CHECKED BY T. ITO	DATE '01/01/31		
	2005/09/09 APPR. BY M. NIKITA	30 OVER ±0.3	APPROVED BY M. FUKUSHIMA	DATE '01/01/31	DOCUMENT NO. SD-52991-005	SHEET NO. 1 OF 6
	ANGULAR ±3 °	DRAFT WHERE APPLICABLE MUST REMAIN WITHIN DIMENSIONS	MATERIAL NO. SEE CHART	THIS DRAWING CONTAINS INFORMATION THAT IS PROPRIETARY TO MOLEX INCORPORATED AND SHOULD NOT BE USED WITHOUT WRITTEN PERMISSION		

9

8

7

6

5

4

3

2

EN-02JA(021)

F

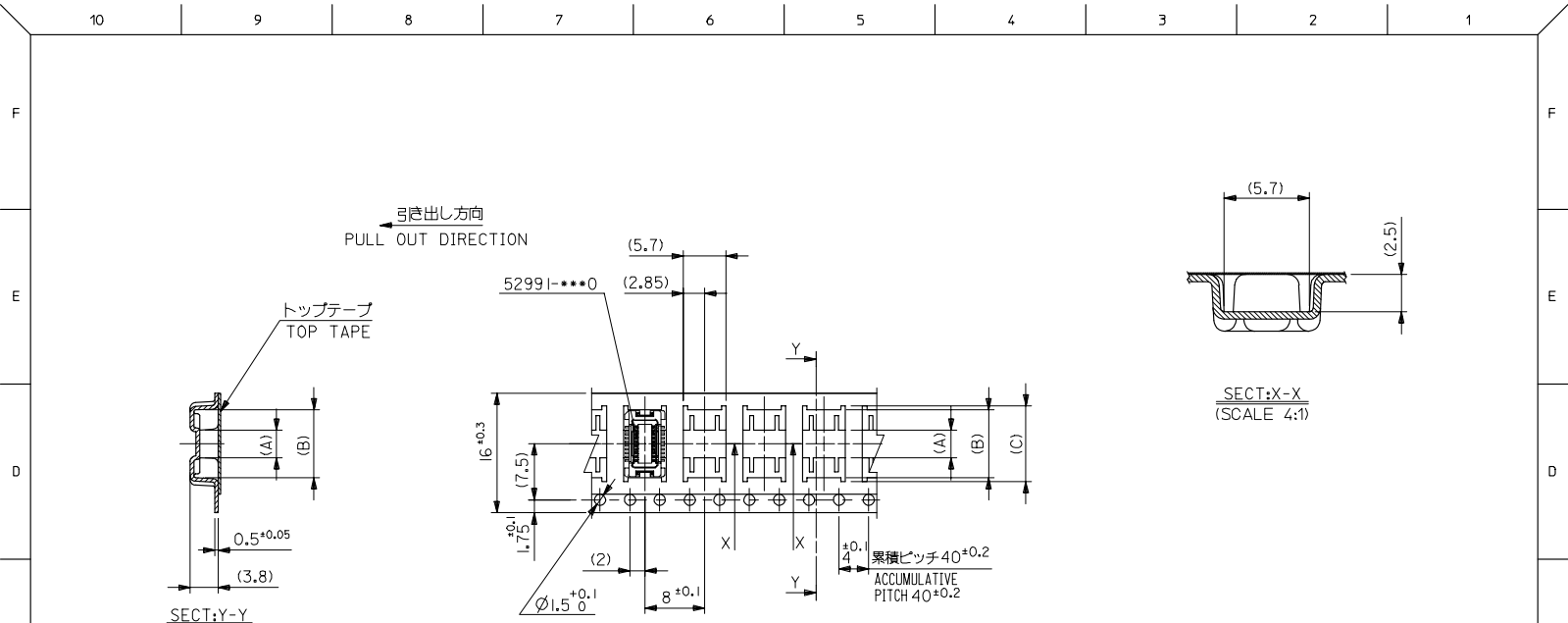
E

D

C

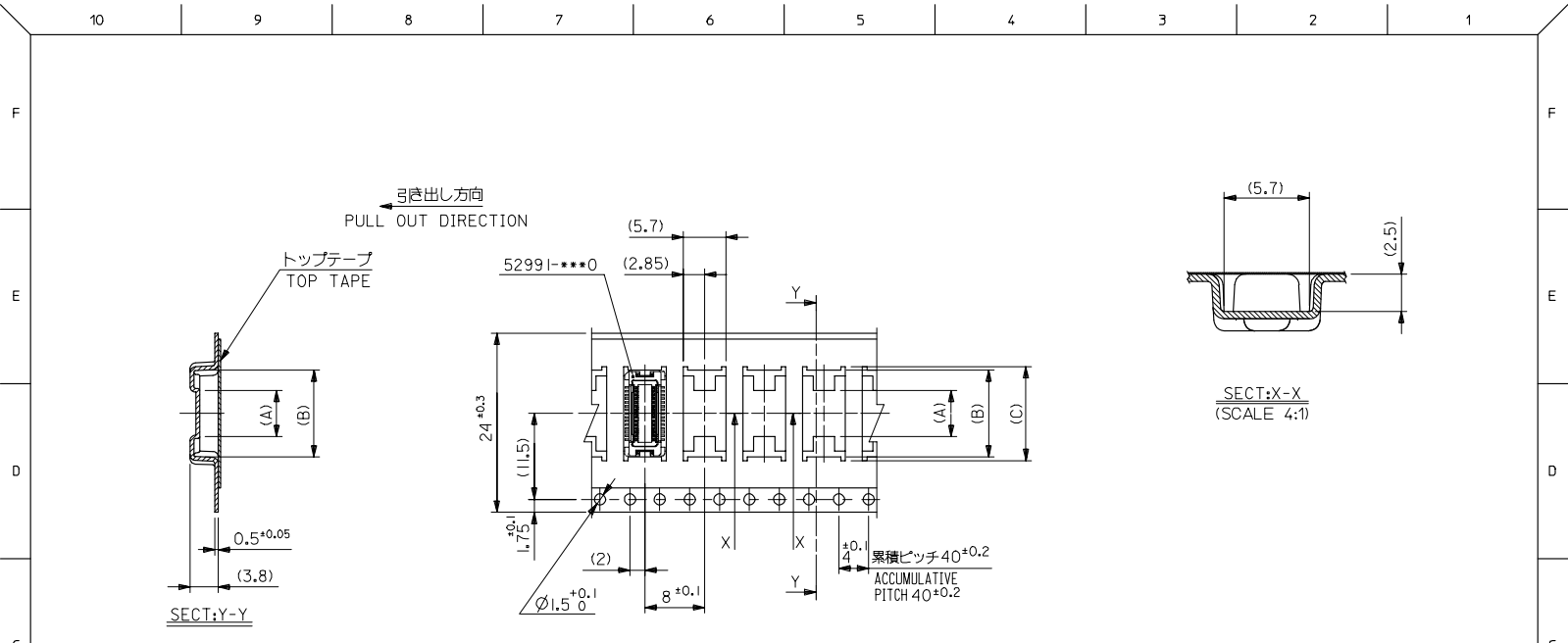
B

A

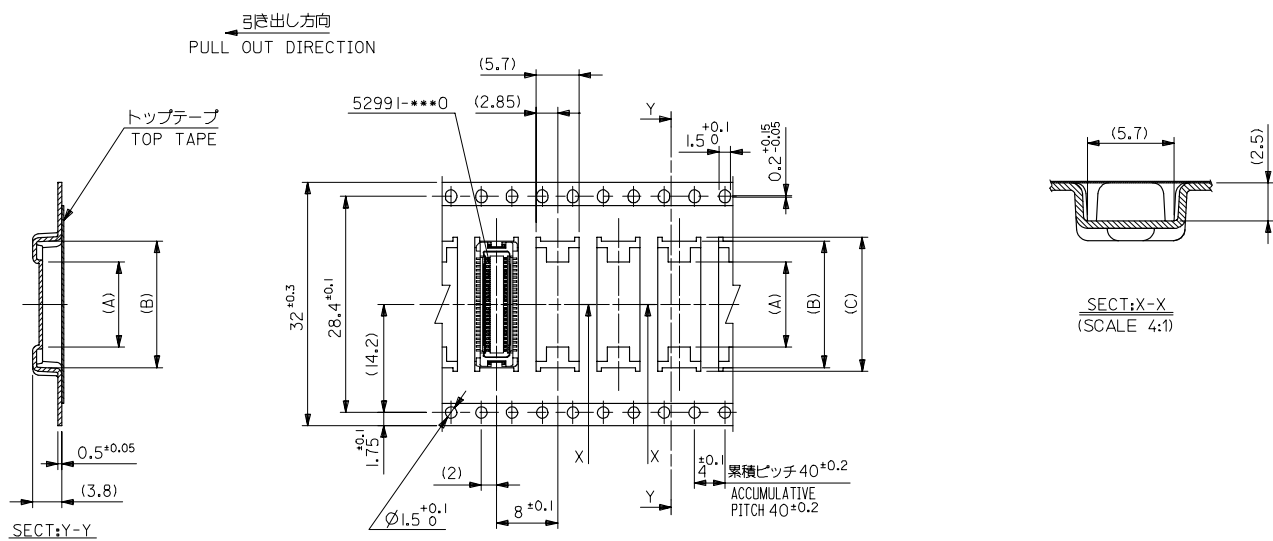


16mm幅キャリアテープ
16mm WIDTH CARRIER TAPE

REVISED		52991-***8		MODEL NO.		16	21.4	17.4	10.1	9.1	3.7	52991-0208	20
EC NO. J2006-0604		2005/08/31		DRW:NAIDA		2005/09/01		CHK:KTOYODA		2005/09/09		APPR:NIKIITA	
GENERAL TOLERANCES (UNLESS SPECIFIED)		DIMENSION STYLE		SCALE		DESIGN UNITS		THIRD ANGLE PROJECTION					
10 UNDER ± ---		MM ONLY		---		METRIC		◎ □					
10 OVER 30 UNDER ± ---		DRAWN BY		DATE		TITLE		MOLEX		0.5 B/B CONN REC HSG ASSY EMBSTP PKG -LEAD FREE-			
30 OVER ± ---		T.NIITSU		'95/10/17				MOLEX		MOLEX INCORPORATED			
ANGULAR ± --- °		CHECKED BY		DATE				DOCUMENT NO.		SHEET NO.			
DRAFT WHERE APPLICABLE MUST REMAIN WITHIN DIMENSIONS		T. ITO		'01/01/31				SD-52991-005		2 OF 6			
		APPROVED BY		DATE									
		M. FUKUSHIMA		'01/01/31									
		MATERIAL NO.		SEE CHART									
		SIZE		A3									
		THIS DRAWING CONTAINS INFORMATION THAT IS PROPRIETARY TO MOLEX INCORPORATED AND SHOULD NOT BE USED WITHOUT WRITTEN PERMISSION											

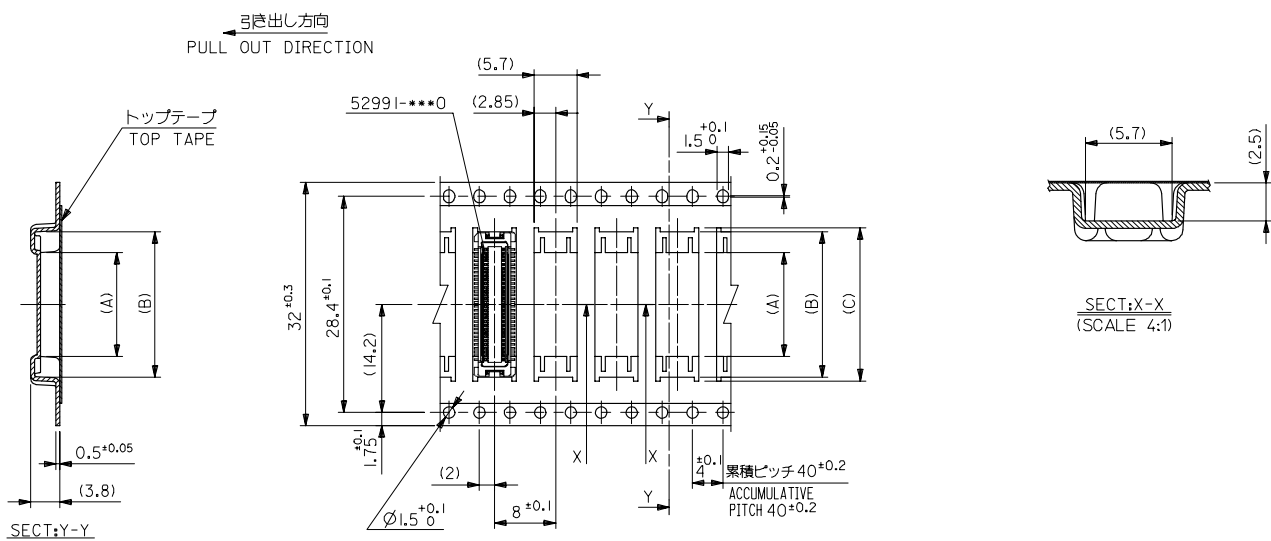


REVISED	EC NO. J2006-0604	2005/08/31	2005/09/01	2005/09/09	52991-***8	MODEL NO.	キャリアテープ幅 CARRIER TAPE WIDTH	24	29.4	25.4	15.1	14.1	7.4	52991-0408	40
D	DRW:NAIDA	CHK:KTYODA	APP:NIKIITA	DESCRIPTION	GENERAL TOLERANCES (UNLESS SPECIFIED)	DIMENSION STYLE	MM ONLY	E	D	(C)	(B)	(A)	MATERIAL NO.	種数 CKT.	
					10 UNDER ± ---	DRAWN BY	S. AIHARA						52991-0308	30	
					10 OVER 30 UNDER ± ---	DATE	'96/04/01								
					30 OVER ± ---	CHECKED BY	T. ITO								
					ANGULAR ± --- °	DATE	'01/01/31								
					DRAFT WHERE APPLICABLE MUST REMAIN WITHIN DIMENSIONS	APPROVED BY	M. FUKUSHIMA								
						DATE	'01/01/31								
						MATERIAL NO.	SEE CHART								
						DOCUMENT NO.	SD-52991-005								
						SIZE	A3								
						THIS DRAWING CONTAINS INFORMATION THAT IS PROPRIETARY TO MOLEX INCORPORATED AND SHOULD NOT BE USED WITHOUT WRITTEN PERMISSION									



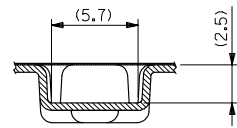
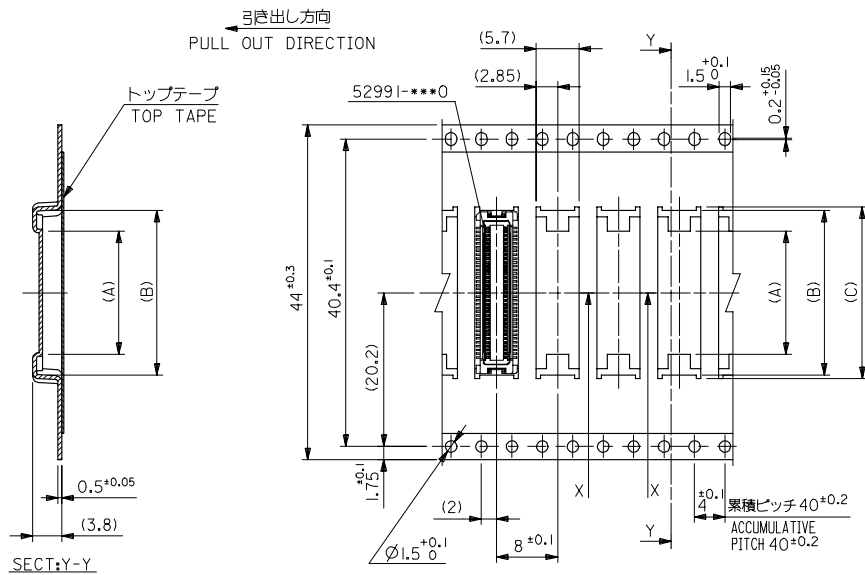
32mm幅キャリアテープ
32mm WIDTH CARRIER TAPE

REVISED EC NO. J2006-0604 DRAWN BY DRW:NAIDA CHK:KTOYODA APP:NIKIITA	DESCRIPTION 2005/08/31 2005/09/01 2005/09/09	52991-***8	MODEL NO.	32	37.4	33.4	17.6	16.6	11.2	52991-0508	50	
		GENERAL TOLERANCES (UNLESS SPECIFIED)		DIMENSION STYLE MM ONLY		SCALE	DESIGN UNITS	THIRD ANGLE PROJECTION		TITLE		
		10 UNDER	± ---	DRAWN BY T. YASUI		DATE '96/04/15	---	METRIC	0.5 B/B CONN REC HSG ASSY EMBSTP PKG -LEAD FREE-		MATERIAL NO.	
		10 OVER 30 UNDER	± ---	CHECKED BY T. ITO		DATE '01/01/31			MOLEX INCORPORATED		MATERIAL NO.	
30 OVER	± ---	APPROVED BY M. FUKUSHIMA		DATE '01/01/31			DOCUMENT NO.		SHEET NO.			
ANGULAR	± --- °	DRAFT WHERE APPLICABLE MUST REMAIN WITHIN DIMENSIONS		SEE CHART		SD-52991-005		4 OF 6		EN-02JA(021)		



32mm幅キャリアテープ
32mm WIDTH CARRIER TAPE

REVISED REV D	EC NO. J2006-0604	2005/08/31	2005/09/01	2005/09/09	52991-***8	MODEL NO.	32	37.4	33.4	20.1	19.1	13.7	52991-0608	60	
	DRW:NAIDA	CHK:KTOYODA	APP:NUMITA	DESCRIPTION	GENERAL TOLERANCES (UNLESS SPECIFIED)	DIMENSION STYLE	キャリアテープ幅 CARRIER TAPE WIDTH		E	D	(C)	(B)	(A)	MATERIAL NO.	種数 CKT.
	10 UNDER ± ---					MM ONLY		SCALE		---		DESIGN UNITS		THIRD ANGLE PROJECTION	
	10 OVER 30 UNDER ± ---					DRAWN BY		DATE		TITLE		MOLEX		0.5 B/B CONN REC HSG ASSY EMBSTP PKG -LEAD FREE-	
30 OVER ± ---					CHECKED BY		DATE		MATERIAL NO.		DOCUMENT NO.		SHEET NO.		
ANGULAR ± --- °					M.FUKUSHIMA		'01/01/31		SEE CHART		SD-52991-005		5 OF 6		
DRAFT WHERE APPLICABLE MUST REMAIN WITHIN DIMENSIONS					THIS DRAWING CONTAINS INFORMATION THAT IS PROPRIETARY TO MOLEX INCORPORATED AND SHOULD NOT BE USED WITHOUT WRITTEN PERMISSION										



SECT:X-X
(SCALE 4:1)

44mm幅キャリアテープ
44mm WIDTH CARRIER TAPE

REVISED REV. D	EC NO. J2006-0604 DRAWN BY CHIKAKI YODA CHKD BY YODA APP. BY NIKITA	DESCRIPTION 52991-***8	MODEL NO.	44	49.4	45.4	25.1	24.1	18.7	52991-0808	80
				キャリアテープ幅 CARRIER TAPE WIDTH	E	D	(C)	(B)	(A)	52991-0708	70
GENERAL TOLERANCES (UNLESS SPECIFIED)				DIMENSION STYLE MM ONLY		SCALE ---	DESIGN UNITS METRIC		THIRD ANGLE PROJECTION		
10 UNDER ± ---				DRAWN BY T. YASUI		DATE '96/04/15		TITLE 0.5 B/B CONN REC HSG ASSY EMBSTP PKG -LEAD FREE-			
10 OVER 30 UNDER ± ---				CHECKED BY T. ITO		DATE '01/01/31					
30 OVER ± ---				APPROVED BY M. FUKUSHIMA		DATE '01/01/31		MOLEX INCORPORATED			
ANGULAR ± --- °				MATERIAL NO.		DOCUMENT NO.					
DRAFT WHERE APPLICABLE MUST REMAIN WITHIN DIMENSIONS				SEE CHART		SD-52991-005		SHEET NO. 6 OF 6		EN-02JA(021)	