

注記 NOTES:

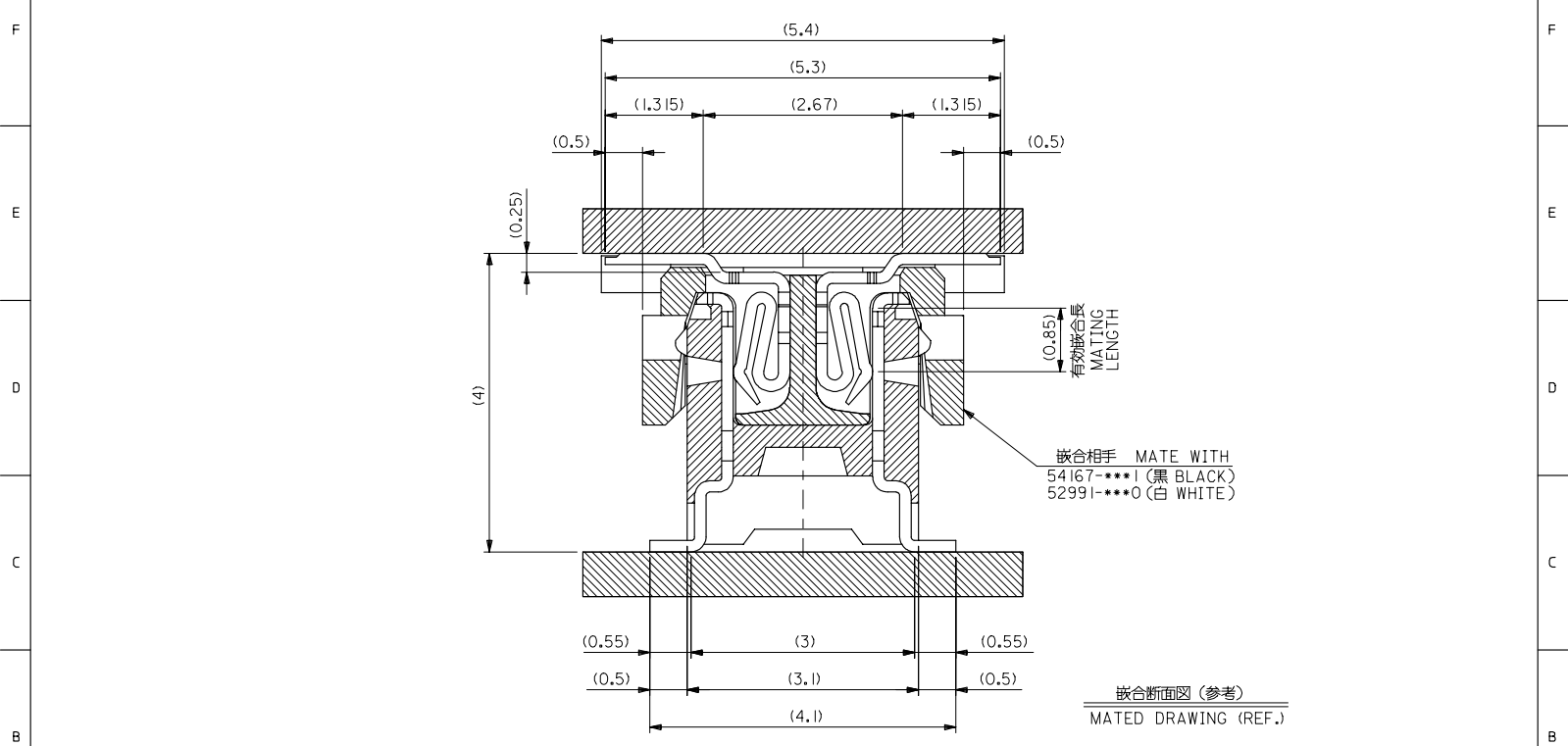
1. 使用材料 MATERIAL  
 ウエハー: LCPガラス入り (黒) ,UL94V-0  
 WAFER: LCP(G.F.)(COLOR :BLACK),  
 UL94V-0  
 ピン: 黄銅 (t=0.15)  
 PIN: BRASS (t=0.15)
  2. メッキ仕様 PLATING  
 全体仕上げ: 金メッキ 0.1 MICROMETER MIN.  
 ALL OVER : GOLD 0.1 MICROMETER MIN.  
 下地メッキ: ニッケルメッキ 1.5 MICROMETER MIN.  
 UNDER PLATING : NICKEL 1.5 MICROMETER MIN.
  3. 基準面 [X] からのソルダーテールの半田付け面のズレ量は、上方向 0、  
 下方向 0.15MAX. とする。  
 MISALIGNMENT OF SOLDER TAIL FROM [X]  
 : UPPER DIRECTION 0, LOWER DIRECTION 0.15 MAX.
- △ (全極数/2) = 偶数の場合に適用。  
 APPLY FOR (CIRCUIT/2)=EVEN.

- 5 嵌合相手: 54167 シリウス  
 52991 シリウス  
 MATE WITH : 54167 SERIES.  
 52991 SERIES.
- 6 テール平坦度は、0.1MAX.  
 TAIL COPLANARITY TO BE 0.1MAX.

20.24	19.5	22.3	53916-0801	80
17.74	17.0	19.8	-0701	70
15.24	14.5	17.3	-0601	60
12.74	12.0	14.8	-0501	50
10.24	9.5	12.3	-0401	40
7.74	7.0	9.8	-0301	30
5.24	4.5	7.3	53916-0201	20

REVISED	EC NO. J2006-0604	2005/08/31	2005/09/01	2005/09/09	DESCRIPTION	GENERAL TOLERANCES (UNLESS SPECIFIED)	DIMENSION STYLE MM ONLY	SCALE ---	DESIGN UNITS METRIC	THIRD ANGLE PROJECTION	
DRW:NAIIDA	CHK:KATOYODA	APP:MIKITA	53916-***1			MODEL NO.	DRAWN BY S. AIHARA	DATE '96/11/28	TITLE 0.5 B/B CONN PLUG ASSY (W/O BOSS, W/O NAIL) -LEAD FREE-		
10 UNDER ±0.2						10 OVER 30 UNDER ±0.25	CHECKED BY M. SASAO	DATE '01/12/26	MOLEX INCORPORATED		
30 OVER ±0.3						ANGULAR ±3 °	APPROVED BY M. SASAO	DATE '01/12/26	DOCUMENT NO. SD-53916-001		
DRAFT WHERE APPLICABLE MUST REMAIN WITHIN DIMENSIONS						SEE CHART	MATERIAL NO.		SHEET NO. 1 OF 2		
THIS DRAWING CONTAINS INFORMATION THAT IS PROPRIETARY TO MOLEX INCORPORATED AND SHOULD NOT BE USED WITHOUT WRITTEN PERMISSION											

10 9 8 7 6 5 4 3 2 1



REVISED		GENERAL TOLERANCES (UNLESS SPECIFIED)		DIMENSION STYLE		SCALE		DESIGN UNITS		MODEL NO.	
IEC NO. J2006-0604		10 UNDER ± ---		MM ONLY		---		METRIC		53916-***1	
DRAWN BY S. AIHARA		10 OVER 30 UNDER ± ---		DRAWN BY DATE		---		THIRD ANGLE PROJECTION		MODEL NO.	
CHKD BY M. SASAO		30 OVER ± ---		S. AIHARA '96/11/28		---		TITLE		0.5 B/B CONN PLUG ASSY (W/O BOSS, W/O NAIL) -LEAD FREE-	
APPR. BY M. SASAO		ANGULAR ± --- °		M. SASAO '01/12/26		---		MOLEX INCORPORATED		SHEET NO. 2 OF 2	
DESCRIPTION		DRAFT WHERE APPLICABLE MUST REMAIN WITHIN DIMENSIONS		APPROVED BY DATE		---		DOCUMENT NO.		EN-02JA(021)	
REV. C				M. SASAO '01/12/26		---		SD-53916-001			
				MATERIAL NO.		---		SEE CHART		THIS DRAWING CONTAINS INFORMATION THAT IS PROPRIETARY TO MOLEX INCORPORATED AND SHOULD NOT BE USED WITHOUT WRITTEN PERMISSION	

10 9 8 7 6 5 4 3 2 1

F

E

D

C

B

A

F

E

D

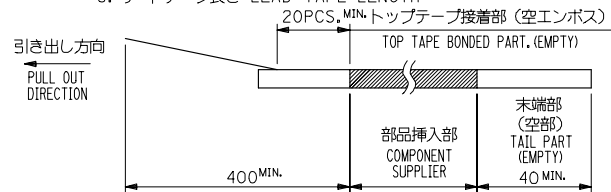
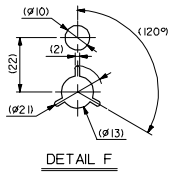
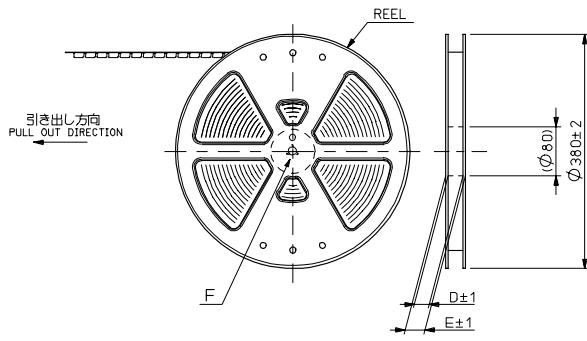
C

B

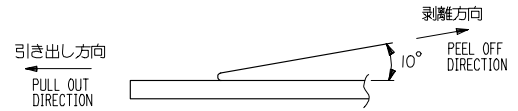
A

NOTES

- 製品詳細寸法については図面 SD-53916-001 を参照下さい。  
RE DETAILED DIMENSION, SEE SD-53916-001
- 梱包数量: 1500個/リール  
NUMBER OF CONNECTORS: 1500PCS/REEL
- リードテープ長さ LEAD TAPE LENGTH



- トップテープの剥離強度: 0.1N~1.3N (10gf~130gf) (剥離方向は下図参照) 尚、本規格値は出荷時に適用。(但し、輸送時に剥離が発生しないこと。)  
PEELING OFF FORCE OF TOP TAPE: 0.1N~1.3N (10gf~130gf)  
(PEELING DIRECTION AS SHOWN IN FOLLOWING FIG.)  
THIS REQUIREMENT SHOULD BE APPLIED AT SHIPMENT.  
PEEL OFF SHOULD NOT BE ALLOWED, DURING TRANSPORTATION.



- 材料(MATERIAL)  
キャリアテープ(CARRIER TAPE): ポリプロピレン(POLYPROPYLENE)  
トップテープ(TOPTAPE): PET, PE, PEF  
リール(REEL): ポリスチレン(P.S) <リサイクル材を含む>  
POLYSTYREN(PS) <RECYCLE MATERIAL CONTAINED>

53916-\*\*\*8 MODEL NO.

REVISED IEC NO: J2006-0604 DRW: NAITA 2005/08/31 CHK: KTOYODA 2005/09/01 APPR: NUKITA 2005/09/09	GENERAL TOLERANCES (UNLESS SPECIFIED)		DIMENSION STYLE MM ONLY		SCALE ---	DESIGN UNITS METRIC	THIRD ANGLE PROJECTION
	10 UNDER	±0.2	DRAWN BY S. AIHARA	DATE '96/11/27	TITLE 0.5 B/B CONN PLUG ASSY EMBSTP PKG -LEAD FREE-		
	10 OVER 30 UNDER	±0.25	CHECKED BY T. ITO	DATE '01/01/26			
	30 OVER	±0.3	APPROVED BY M. FUKUSHIMA	DATE '01/01/26	MOLEX INCORPORATED		
	ANGULAR	±3 °	MATERIAL NO. SEE CHART				
DRAFT WHERE APPLICABLE MUST REMAIN WITHIN DIMENSIONS		SIZE A3	THIS DRAWING CONTAINS INFORMATION THAT IS PROPRIETARY TO MOLEX INCORPORATED AND SHOULD NOT BE USED WITHOUT WRITTEN PERMISSION				

9

8

7

6

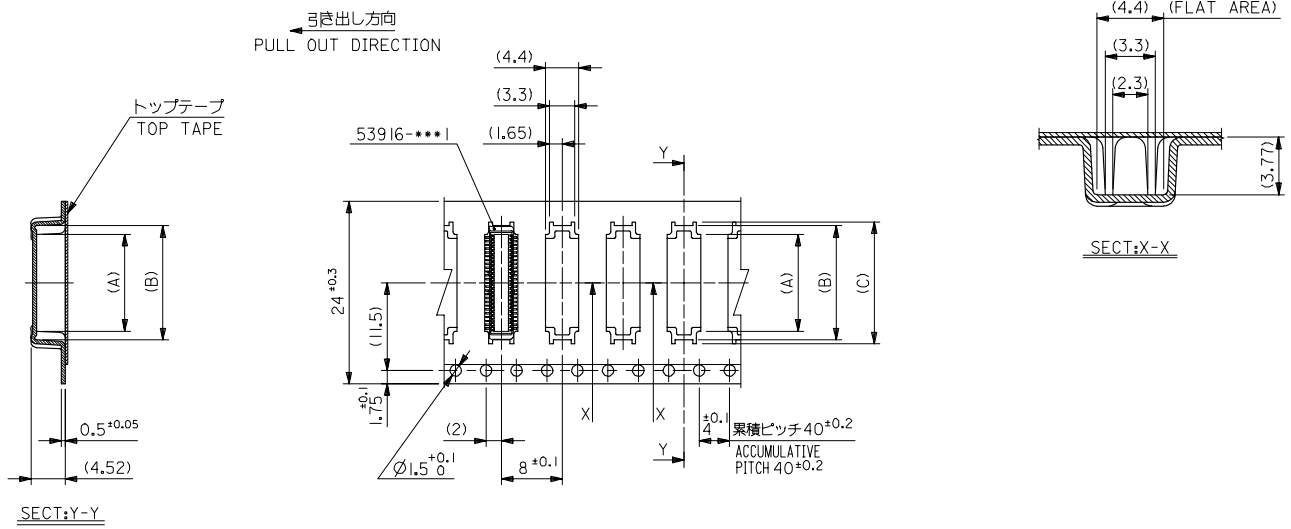
5

4

3

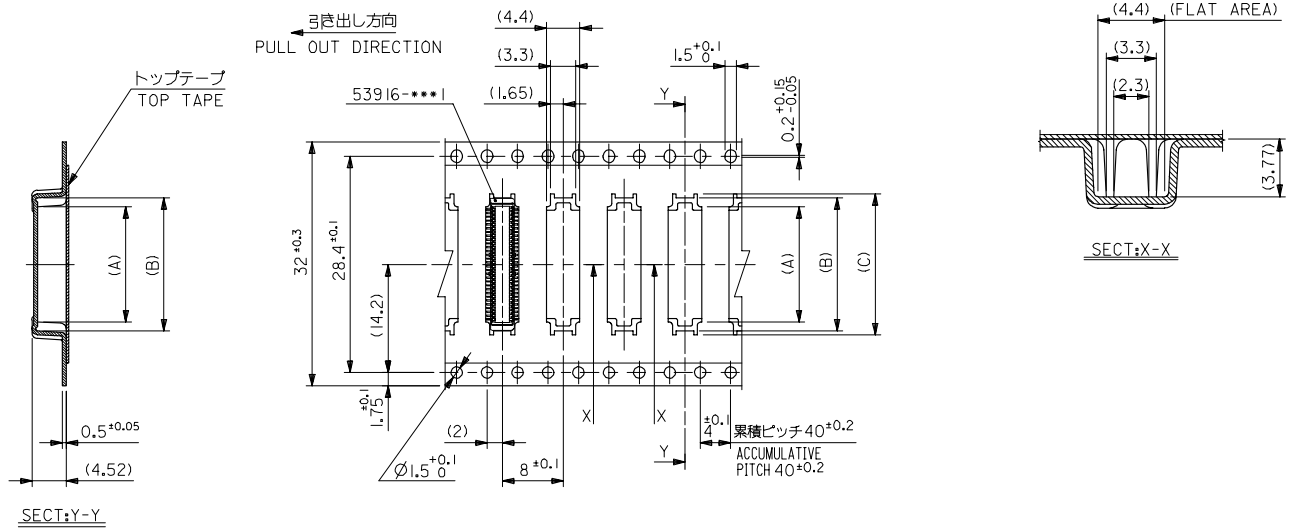
2

EN-02JA(021)



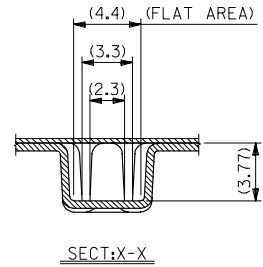
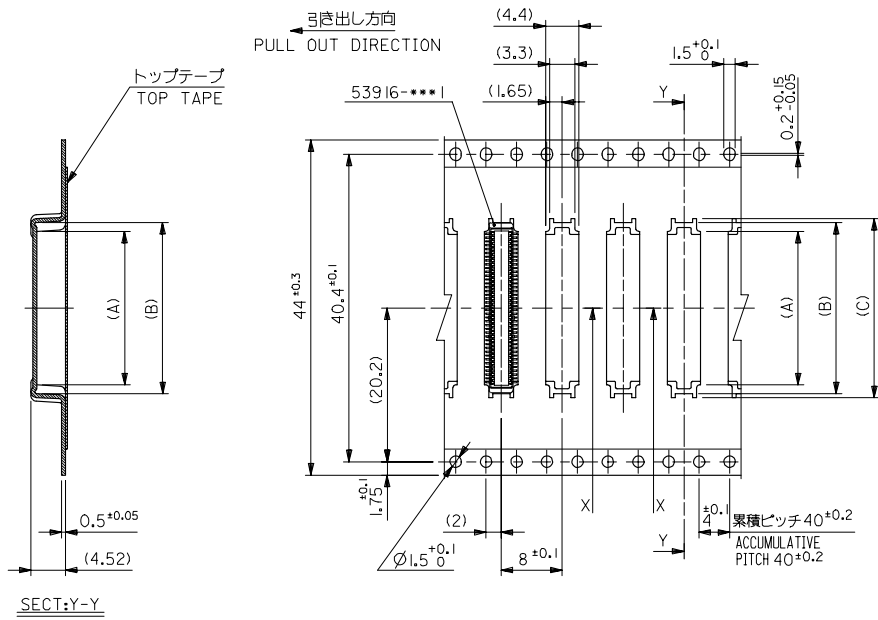
24mm幅キャリアテープ  
24mm WIDTH CARRIER TAPE

REVISED EC NO. J2006-0604 2005/08/31 DRAWN BY DR. NAITA 2005/09/01 CHKD BY CHIKAKI YODA 2005/09/09 APPR. BY NAIKITA	DESCRIPTION	53916-***8	MODEL NO.	キャリアテープ幅 CARRIER TAPE WIDTH	24	29.4	25.4	16	15	12.67	53916-0508	50
		10 UNDER	± ---	DRAWN BY	S. AIHARA	DATE	'96/11/27	3.5	12.5	10.17	53916-0408	40
		10 OVER 30 UNDER	± ---	CHECKED BY	T. ITO	DATE	'01/01/26	11	10	7.67	53916-0308	30
		30 OVER	± ---	APPROVED BY	M. FUKUSHIMA	DATE	'01/01/26	8.5	7.5	5.17	53916-0208	20
ANGULAR		± --- °		MATERIAL NO.				SCALE		DESIGN UNITS	THIRD ANGLE	CIRCUIT
DRAFT WHERE APPLICABLE MUST REMAIN WITHIN DIMENSIONS		SEE CHART		TITLE		MOLEX INCORPORATED		DOCUMENT NO.		SD-53916-002		SHEET NO.
				INCORPORATED AND SHOULD NOT BE USED WITHOUT WRITTEN PERMISSION								2 OF 4



32mm幅キャリアテープ  
32mm WIDTH CARRIER TAPE

REVISED		53916-***8		MODEL NO.		32	37.4	33.4	18.5	17.5	15.17	53916-0608	60
EC NO. J2006-0604		2005/08/31		2005/09/01		キャリアテープ幅		E		D		CIRCUIT	
DRAWN BY		CHKD BY		APPR. BY		DIMENSION STYLE		SCALE		DESIGN UNITS		THIRD ANGLE PROJECTION	
T. YASUI		T. YASUI		T. ITO		MM ONLY		---		METRIC		☉	
DATE		DATE		DATE		DRAWN BY		DATE		CHECKED BY		DATE	
'97/05/14		'01/01/26		'01/01/26		T. YASUI		'97/05/14		T. ITO		'01/01/26	
APPROVED BY		DATE		MATERIAL NO.		TITLE		DOCUMENT NO.		SHEET NO.		INCORPORATED	
M. FUKUSHIMA		'01/01/26		SEE CHART		0.5 B/B CONN PLUG ASSY EMBSTP PKG -LEAD FREE-		SD-53916-002		3 OF 4		MOLEX INCORPORATED	
DRAFT WHERE APPLICABLE MUST REMAIN WITHIN DIMENSIONS		SIZE		THIS DRAWING CONTAINS INFORMATION THAT IS PROPRIETARY TO MOLEX INCORPORATED AND SHOULD NOT BE USED WITHOUT WRITTEN PERMISSION		EN-02JA(021)							



44mm幅キャリアテープ  
44mm WIDTH CARRIER TAPE

REVISED IEC NO. J2006-0604 DRAWN BY CHIKAKIYODA APPR. NUKITA 2005/08/31 2005/09/01 2005/09/09	53916-***8	MODEL NO.	44	49.4	45.4	23.5	22.5	20.17	53916-0808	80
	GENERAL TOLERANCES (UNLESS SPECIFIED)		DIMENSION STYLE		SCALE	DESIGN UNITS	THIRD ANGLE PROJECTION			
	10 UNDER	±---	MM ONLY		---	METRIC	0.5 B/B CONN PLUG ASSY EMBSTP PKG -LEAD FREE-			
	10 OVER 30 UNDER	±---	DRAWN BY S. AIHARA		DATE '98/10/23	MOLEX INCORPORATED				
30 OVER	±---	CHECKED BY T. ITO		DATE '01/01/26	MATERIAL NO.		DOCUMENT NO.	SHEET NO.		
ANGULAR	±---°	APPROVED BY M. FUKUSHIMA		DATE '01/01/26	SEE CHART		SD-53916-002	4 OF 4		
DRAFT WHERE APPLICABLE MUST REMAIN WITHIN DIMENSIONS		SIZE A3		THIS DRAWING CONTAINS INFORMATION THAT IS PROPRIETARY TO MOLEX INCORPORATED AND SHOULD NOT BE USED WITHOUT WRITTEN PERMISSION						