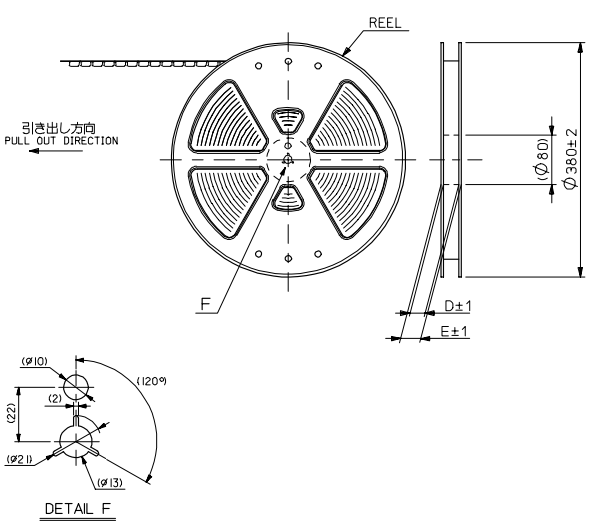
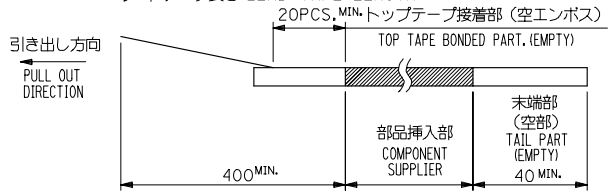


10 9 8 7 6 5 4 3 2 1

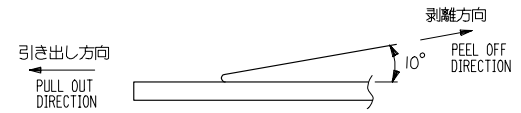


NOTES

1. 製品詳細寸法については図面 SD-54167-001 を参照下さい。
RE DETAILED DIMENSION, SEE SD-54167-001
2. 梱包数量：3000個/リール
NUMBER OF CONNECTORS : 3000PCS/REEL
3. リードテープ長さ LEAD TAPE LENGTH



4. トップテープの剥離強度：0.1N~1.3 (10gf~130gf) (剥離方向は下図参照) 尚、本規格値は出荷時に適用。(但し、輸送時に剥離が発生しないこと。)
PEELING OFF FORCE OF TOP TAPE : 0.1N~1.3 (10gf~130gf)
(PEELING DIRECTION AS SHOWN IN FOLLOWING FIG.)
THIS REQUIREMENT SHOULD BE APPLIED AT SHIPMENT.
PEEL OFF SHOULD NOT BE ALLOWED , DURING TRANSPORTATION.



5. 材料 (MATERIAL)
キャリアテープ (CARRIER TAPE) : ポリプロピレン (POLYPROPYLENE)
トップテープ (TOP TAPE) : PET , PE , PEF
リール (REEL) : ポリスチレン (P.S) <リサイクル材を含む>
POLYSTYRENE (PS) <RECYCLE MATERIAL CONTAINED>

54167***8 MODEL NO.

REVISED EC NO: J2006-0604 DRW:NAIDA 2005/08/31 CHK:KTYODA 2005/09/01 APPR:NIKIITA 2005/09/09	GENERAL TOLERANCES (UNLESS SPECIFIED)		DIMENSION STYLE MM ONLY		SCALE ---	DESIGN UNITS METRIC	THIRD ANGLE PROJECTION
	10 UNDER	±0.2	DRAWN BY S. AIHARA	DATE '96/11/25	TITLE 0.5 B/B CONN REC HSG ASSY EMBSTP PKG -LEAD FREE-		
	10 OVER 30 UNDER	±0.25	CHECKED BY T. ITO	DATE '00/12/06			
	30 OVER	±0.3	APPROVED BY M. FUKUSHIMA	DATE '00/12/06	MOLEX INCORPORATED		
	ANGULAR	±3 °	MATERIAL NO. SEE CHART				
DRAFT WHERE APPLICABLE MUST REMAIN WITHIN DIMENSIONS			SIZE A3	THIS DRAWING CONTAINS INFORMATION THAT IS PROPRIETARY TO MOLEX INCORPORATED AND SHOULD NOT BE USED WITHOUT WRITTEN PERMISSION			

9

8

7

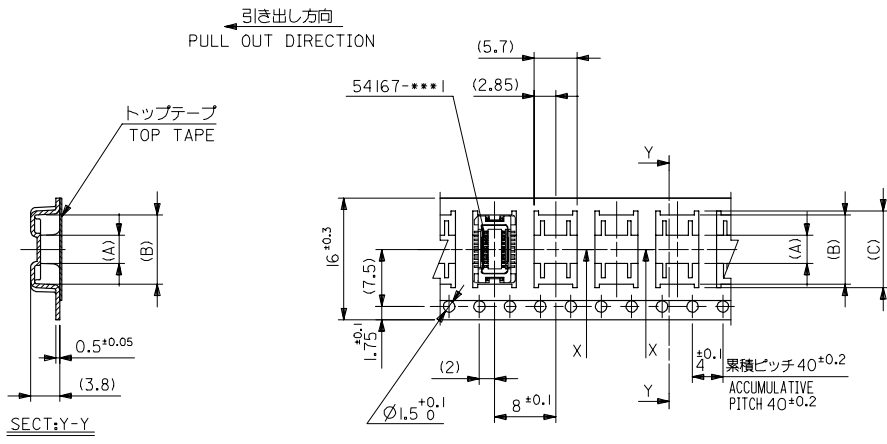
6

5

4

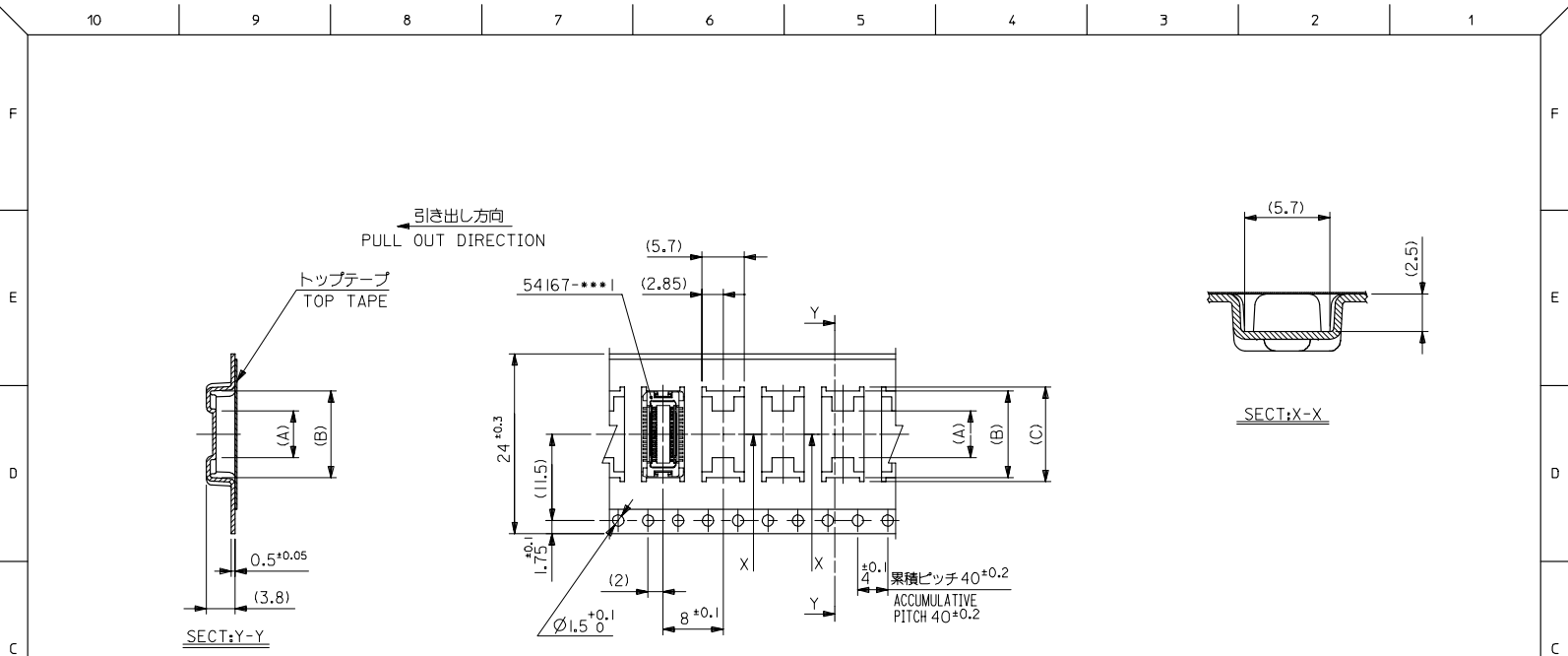
3

2



16mm幅キャリアテープ
16mm WIDTH CARRIER TAPE

REVISED REV. NO. J2006-0604 EC NO. J2006-0604 DRAWN BY CHIKAKI YODA CHKD BY YODA APP. BY NUKITA 2005/08/31 2005/09/01 2005/09/09	54167***8	MODEL NO.	16	21.4	17.4	10.1	9.1	3.7	54167-0208	20
	GENERAL TOLERANCES (UNLESS SPECIFIED)		DIMENSION STYLE MM ONLY		SCALE ---	DESIGN UNITS METRIC		THIRD ANGLE PROJECTION		
	10 UNDER	± ---	DRAWN BY S. AIHARA		DATE '97/05/09	TITLE 0.5 B/B CONN REC HSG ASSY EMBSTP PKG -LEAD FREE-				
	10 OVER 30 UNDER	± ---	CHECKED BY T. ITO		DATE '00/12/06	MOLEX INCORPORATED				
30 OVER	± ---	APPROVED BY M. FUKUSHIMA		DATE '00/12/06	MATERIAL NO.		DOCUMENT NO. SD-54167-002		SHEET NO. 2 OF 6	
ANGULAR ± --- °		DRAFT WHERE APPLICABLE MUST REMAIN WITHIN DIMENSIONS		SEE CHART		THIS DRAWING CONTAINS INFORMATION THAT IS PROPRIETARY TO MOLEX INCORPORATED AND SHOULD NOT BE USED WITHOUT WRITTEN PERMISSION				

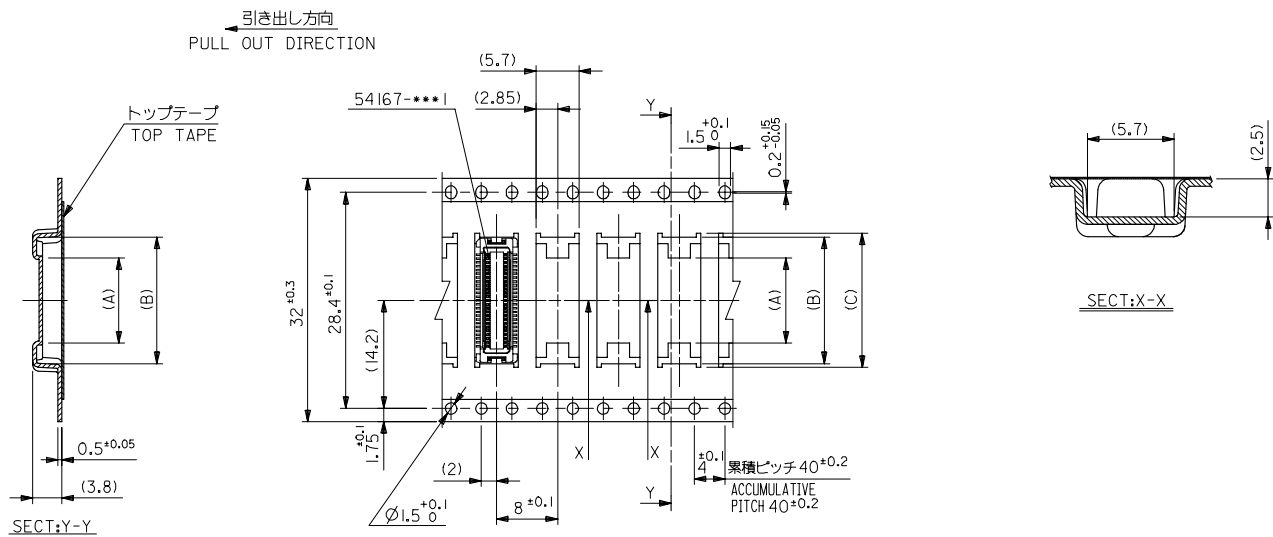


24mm幅キャリアテープ
24mm WIDTH CARRIER TAPE

REVISED REV. NO. J2006-0604 EC NO. 2005/0813 DRAWN BY CHIKAKIYODA 2005/09/01 CHKD BY YODA 2005/09/01 APPR. BY NUKITA 2005/09/09	DESCRIPTION	54167***8	MODEL NO.	24	29.4	25.4	15.1	14.1	7.4	54167-0408	40
		GENERAL TOLERANCES (UNLESS SPECIFIED)			キャリアテープ幅 CARRIER TAPE WIDTH		E	D	(C)	(B)	(A)
10 UNDER		± ---		DIMENSION STYLE		MM ONLY		SCALE		---	
10 OVER 30 UNDER		± ---		DRAWN BY		S. AIHARA		DATE		'97/05/09	
30 OVER		± ---		CHECKED BY		T. ITO		DATE		'00/12/06	
ANGULAR		± --- °		APPROVED BY		M. FUKUSHIMA		DATE		'00/12/06	
DRAFT WHERE APPLICABLE MUST REMAIN WITHIN DIMENSIONS				MATERIAL NO.		SEE CHART		DOCUMENT NO.		SD-54167-002	
				SIZE		A3		THIS DRAWING CONTAINS INFORMATION THAT IS PROPRIETARY TO MOLEX INCORPORATED AND SHOULD NOT BE USED WITHOUT WRITTEN PERMISSION		SHEET NO. 3 OF 6	

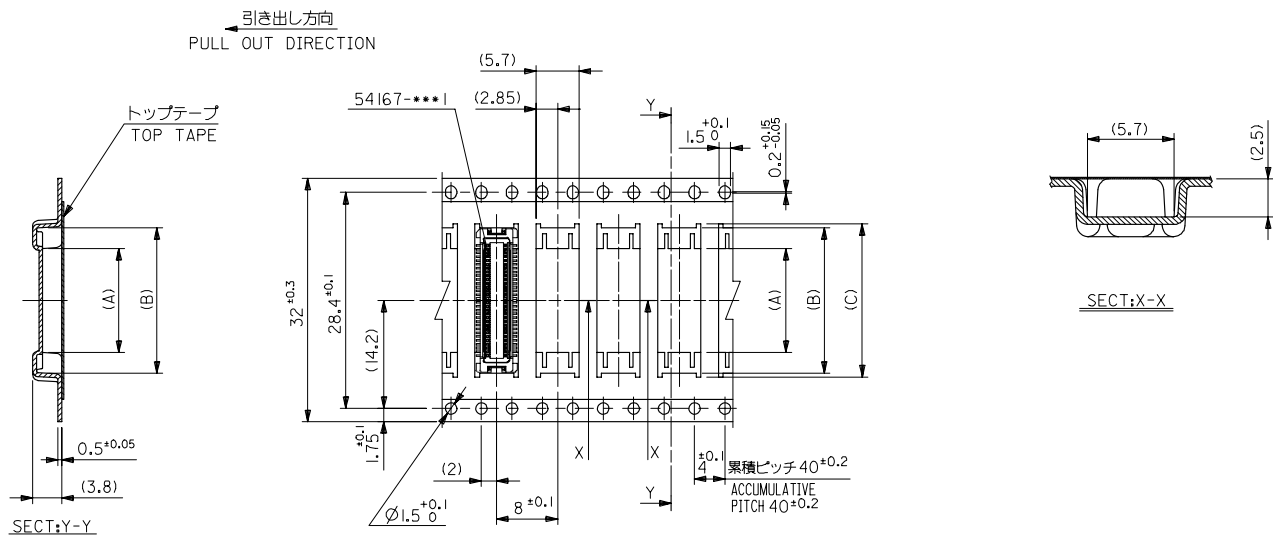
0.5 B/B CONN REC HSG
ASSY EMBSTP PKG
-LEAD FREE-

MOLEX INCORPORATED



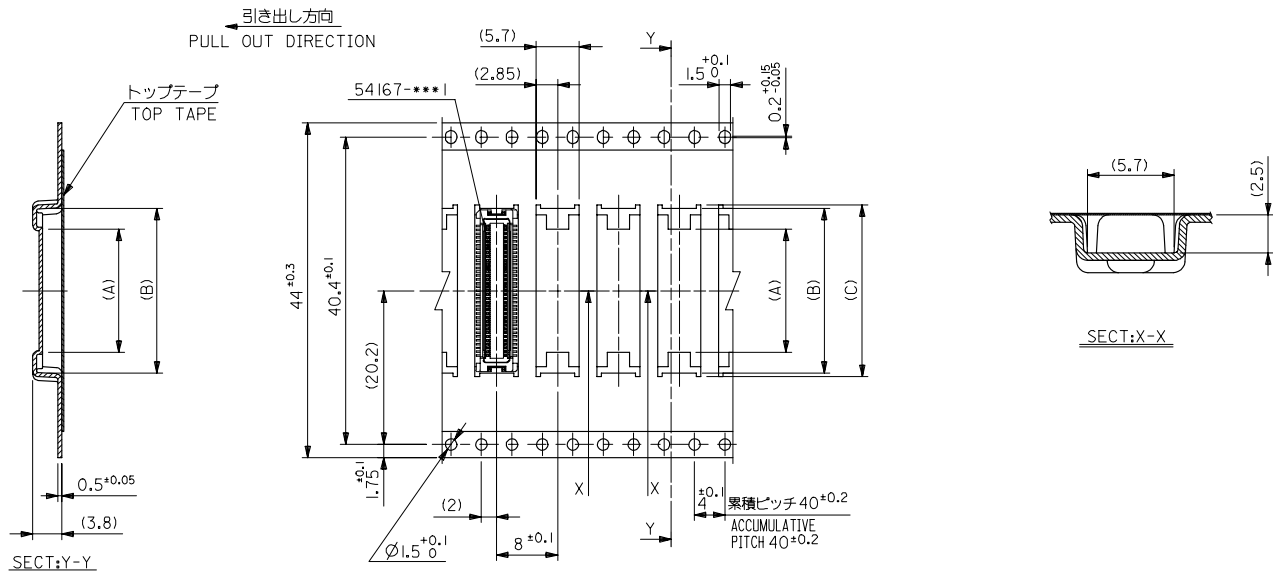
32mm幅キャリアテープ
32mm WIDTH CARRIER TAPE

REVISED EC NO. J2006-0604 DRAWN BY DRW:NAIDA CHK:KTOYODA APP:NIKIITA	2005/08/31	2005/09/01	2005/09/09	DESCRIPTION 54167***8 MODEL NO.	GENERAL TOLERANCES (UNLESS SPECIFIED)		DIMENSION STYLE MM ONLY		SCALE	DESIGN UNITS	THIRD ANGLE PROJECTION	TITLE 0.5 B/B CONN REC HSG ASSY EMBSTP PKG -LEAD FREE-
	10 UNDER	± ---	10 OVER 30 UNDER		± ---	DRAWN BY S. AIHARA	DATE '96/11/25	TITLE	SCALE	DESIGN UNITS METRIC		
	30 OVER	± ---	ANGULAR		± --- °	CHECKED BY T. ITO	DATE '00/12/06					
	DRAFT WHERE APPLICABLE MUST REMAIN WITHIN DIMENSIONS		SEE CHART		APPROVED BY M. FUKUSHIMA	DATE '00/12/06						
MATERIAL NO.				DOCUMENT NO.		SHEET NO.						
SD-54167-002				SD-54167-002		4 OF 6						



32mm幅キャリアテープ
32mm WIDTH CARRIER TAPE

REVISED EC NO. J2006-0604 DRAWN BY T. YASUDA CHKD BY CHIKAKI YODA APP. BY NAKITA	54167***8	MODEL NO.	32	37.4	33.4	20.1	19.1	13.7	54167-0608	60
	GENERAL TOLERANCES (UNLESS SPECIFIED)		DIMENSION STYLE MM ONLY		SCALE ---	DESIGN UNITS METRIC		THIRD ANGLE PROJECTION		
	10 UNDER	± ---	DRAWN BY T. YASUI		DATE '97/05/14	TITLE 0.5 B/B CONN REC HSG ASSY EMBSTP PKG -LEAD FREE-				
	10 OVER 30 UNDER	± ---	CHECKED BY T. ITO		DATE '00/12/06	MOLEX INCORPORATED				
30 OVER	± ---	APPROVED BY M. FUKUSHIMA		DATE '00/12/06	MATERIAL NO. SEE CAHRT		DOCUMENT NO. SD-54167-002		SHEET NO. 5 OF 6	
ANGULAR ±1 °		DRAFT WHERE APPLICABLE MUST REMAIN WITHIN DIMENSIONS								
THIS DRAWING CONTAINS INFORMATION THAT IS PROPRIETARY TO MOLEX INCORPORATED AND SHOULD NOT BE USED WITHOUT WRITTEN PERMISSION										



44mm幅キャリアテープ
44mm WIDTH CARRIER TAPE

REVISED	EC NO. J2006-0604	2005/08/31	2005/09/01	2005/09/09	54167***8	MODEL NO.	44	49.4	45.4	25.1	24.1	17.5	54167-0808	80
	DRW:NAIDA	CHK:KTOYODA	APP:NUMITA	DESCRIPTION	GENERAL TOLERANCES (UNLESS SPECIFIED)	DIMENSION STYLE	MM ONLY		SCALE	---	DESIGN UNITS	METRIC	THIRD ANGLE PROJECTION	種数
					10 UNDER ± ---	DRAWN BY	S. AIHARA	DATE	'98/10/23	TITLE	0.5 B/B CONN REC HSG ASSY EMBSTP PKG -LEAD FREE-			
					10 OVER 30 UNDER ± ---	CHECKED BY	T. ITO	DATE	'00/12/06		MOLEX INCORPORATED			
					30 OVER ± ---	APPROVED BY	M. FUKUSHIMA	DATE	'00/12/06		SD-54167-002			
					ANGULAR ± --- °	MATERIAL NO.	SEE CHART		DOCUMENT NO.	6 OF 6				
					DRAFT WHERE APPLICABLE MUST REMAIN WITHIN DIMENSIONS	SIZE	A3		THIS DRAWING CONTAINS INFORMATION THAT IS PROPRIETARY TO MOLEX INCORPORATED AND SHOULD NOT BE USED WITHOUT WRITTEN PERMISSION					