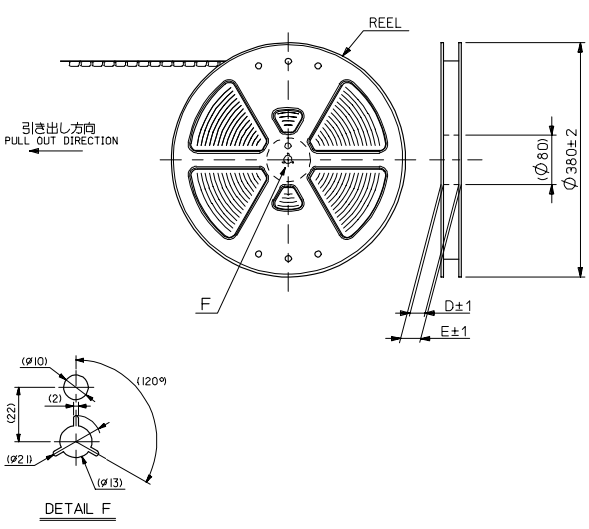


注記 NOTES:

1. 使用材料 MATERIAL
ハウジング: LCPガラス入り (黒), UL94V-0
HOUSING: LCP(G.F.)(COLOR :BLACK),
UL94V-0
ターミナル: リン青銅 (t=0.15)
TERMINAL: PHOSPHOR BRONZE (t=0.15)
 2. メッキ仕様 PLATING
全体仕上げ: 金メッキ 0.1 MICROMETER MIN.
ALL OVER : GOLD 0.1 MICROMETER MIN.
下地メッキ: ニッケルメッキ 1.5 MICROMETER MIN.
UNDER PLATING : NICKEL 1.5 MICROMETER MIN.
 3. 基準面 [X] からのソルダータールの半田付け面のズレ量は、上方向 0、
下方向 0.15MAX. とする。
MISALIGNMENT OF SOLDER TAIL FROM [X]
: UPPER DIRECTION 0, LOWER DIRECTION 0.15 MAX.
- △ (全極数/2) = 偶数の場合に適用。
APPLY FOR (CIRCUIT/2)=EVEN.
- 5 嵌合相手: 53748 シリズ, 53916 シリズ, 502280 シリズ
MATE WITH : 53748 SERIES, 53916 SERIES, 502280 SERIES.
 - 6 テール平坦度は、0.1MAX.
TAIL COPLANARITY TO BE 0.1MAX.

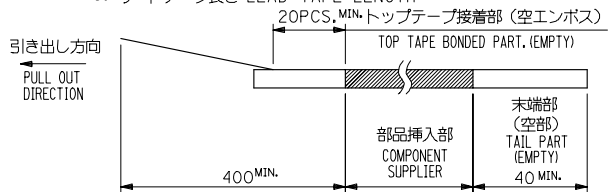
REVISED	EC NO. J2007-0273	2006/07/28	DRWN: TENAGASE	2006/08/03	CHKD: THIRUYAMA	2006/08/07	APPR: NUKITA	2006/08/07	DESCRIPTION	54167***1	MODEL NO.	SCALE	DESIGN UNITS	THIRD ANGLE PROJECTION		
GENERAL TOLERANCES (UNLESS SPECIFIED)										DIMENSION STYLE		MM ONLY	SCALE			
10 UNDER ±0.2										DRAWN BY		S. AIHARA	DATE			
10 OVER 30 UNDER ±0.25										CHECKED BY		M. SASAO	DATE			
30 OVER ±0.3										APPROVED BY		M. SASAO	DATE			
ANGULAR ±3 °										MATERIAL NO.		TITLE				
DRAFT WHERE APPLICABLE MUST REMAIN WITHIN DIMENSIONS										SIZE		A3	0.5 B/B CONN REC HSG ASSY(W/O BOSS, W/O NAIL) -LEAD FREE-			
SEE CHART										DOCUMENT NO.		SD-54167-001				
THIS DRAWING CONTAINS INFORMATION THAT IS PROPRIETARY TO MOLEX INCORPORATED AND SHOULD NOT BE USED WITHOUT WRITTEN PERMISSION										SHEET NO.		1 OF 1				

10 9 8 7 6 5 4 3 2 1

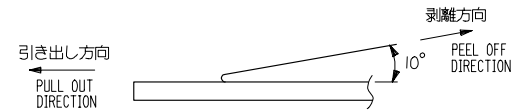


NOTES

1. 製品詳細寸法については図面 SD-54167-001 を参照下さい。
RE DETAILED DIMENSION, SEE SD-54167-001
2. 梱包数量：3000個/リール
NUMBER OF CONNECTORS : 3000PCS/REEL
3. リードテープ長さ LEAD TAPE LENGTH



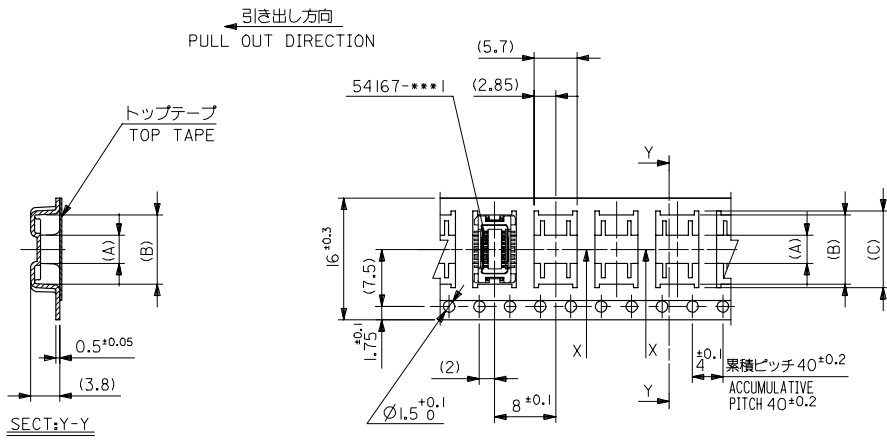
4. トップテープの剥離強度：0.1N~1.3 (10gf~130gf) (剥離方向は下図参照) 尚、本規格値は出荷時に適用。(但し、輸送時に剥離が発生しないこと。)
PEELING OFF FORCE OF TOP TAPE : 0.1N~1.3 (10gf~130gf)
(PEELING DIRECTION AS SHOWN IN FOLLOWING FIG.)
THIS REQUIREMENT SHOULD BE APPLIED AT SHIPMENT.
PEEL OFF SHOULD NOT BE ALLOWED , DURING TRANSPORTATION.



5. 材料 (MATERIAL)
キャリアテープ (CARRIER TAPE) : ポリプロピレン (POLYPROPYLENE)
トップテープ (TOP TAPE) : PET , PE , PEF
リール (REEL) : ポリスチレン (P.S) <リサイクル材を含む>
POLYSTYRENE (PS) <RECYCLE MATERIAL CONTAINED>

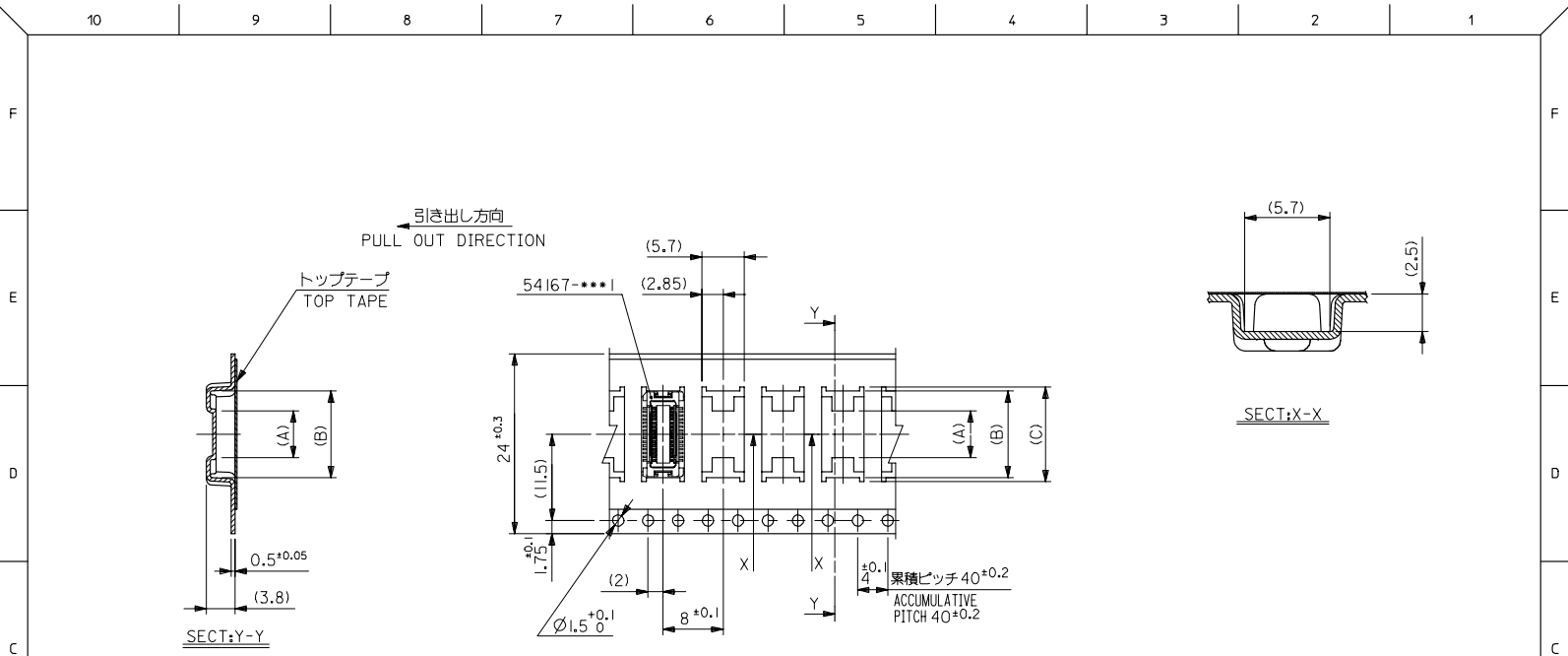
54167***8 MODEL NO.

REVISED EC NO: J2006-0604 DRW: NAITA CHK: KTYODA APP: NUKITA	GENERAL TOLERANCES (UNLESS SPECIFIED)		DIMENSION STYLE MM ONLY		SCALE ---	DESIGN UNITS METRIC	THIRD ANGLE PROJECTION
	10 UNDER	±0.2	DRAWN BY S. AIHARA	DATE '96/11/25	TITLE 0.5 B/B CONN REC HSG ASSY EMBSTP PKG -LEAD FREE-		
	10 OVER 30 UNDER	±0.25	CHECKED BY T. ITO	DATE '00/12/06			
	30 OVER	±0.3	APPROVED BY M. FUKUSHIMA	DATE '00/12/06	MOLEX INCORPORATED		
ANGULAR	±3 °	MATERIAL NO. SEE CHART		DOCUMENT NO. SD-54167-002			
DRAFT WHERE APPLICABLE MUST REMAIN WITHIN DIMENSIONS			THIS DRAWING CONTAINS INFORMATION THAT IS PROPRIETARY TO MOLEX INCORPORATED AND SHOULD NOT BE USED WITHOUT WRITTEN PERMISSION				



16mm幅キャリアテープ
16mm WIDTH CARRIER TAPE

REVISED REV. NO. J2006-0604 EC NO. J2006-0604 DRAWN BY CHIKAKI YODA CHKD BY YODA APPR. BY NIKITA	54167***8	MODEL NO.	16	21.4	17.4	10.1	9.1	3.7	54167-0208	20
	GENERAL TOLERANCES (UNLESS SPECIFIED)		DIMENSION STYLE MM ONLY		SCALE ---	DESIGN UNITS METRIC		THIRD ANGLE PROJECTION		
	10 UNDER	± ---	DRAWN BY S. AIHARA		DATE '97/05/09	TITLE 0.5 B/B CONN REC HSG ASSY EMBSTP PKG -LEAD FREE-				
	10 OVER 30 UNDER	± ---	CHECKED BY T. ITO		DATE '00/12/06	MOLEX INCORPORATED				
30 OVER	± ---	APPROVED BY M. FUKUSHIMA		DATE '00/12/06	MATERIAL NO.		DOCUMENT NO. SD-54167-002		SHEET NO. 2 OF 6	
ANGULAR ± --- °		DRAFT WHERE APPLICABLE MUST REMAIN WITHIN DIMENSIONS		SEE CHART		THIS DRAWING CONTAINS INFORMATION THAT IS PROPRIETARY TO MOLEX INCORPORATED AND SHOULD NOT BE USED WITHOUT WRITTEN PERMISSION				

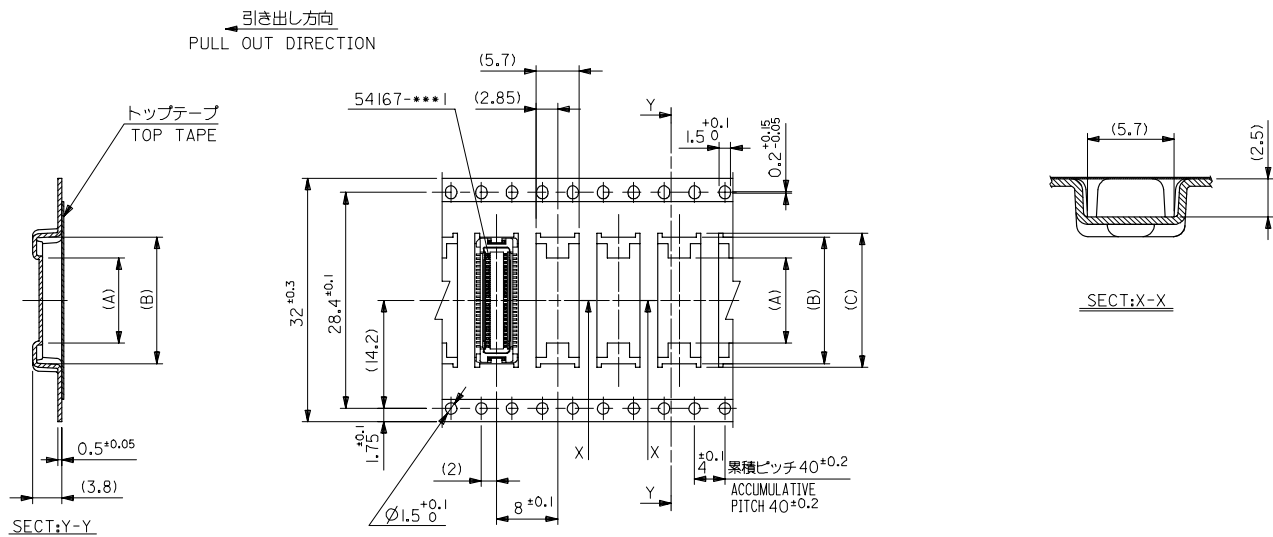


24mm幅キャリアテープ
24mm WIDTH CARRIER TAPE

REVISED REV. NO. J2006-0604 EC NO. 2005/0813 DRAWN BY CHIKAKIYODA 2005/09/01 CHKD BY YODA 2005/09/01 APPR. BY NUKITA 2005/09/09	DESCRIPTION	54167***8	MODEL NO.	24	29.4	25.4	15.1	14.1	7.4	54167-0408	40
		GENERAL TOLERANCES (UNLESS SPECIFIED)			キャリアテープ幅 CARRIER TAPE WIDTH		E	D	(C)	(B)	(A)
10 UNDER		± ---		DIMENSION STYLE		MM ONLY		SCALE		---	
10 OVER 30 UNDER		± ---		DRAWN BY		S. AIHARA		DATE		'97/05/09	
30 OVER		± ---		CHECKED BY		T. ITO		DATE		'00/12/06	
ANGULAR		± --- °		APPROVED BY		M. FUKUSHIMA		DATE		'00/12/06	
DRAFT WHERE APPLICABLE MUST REMAIN WITHIN DIMENSIONS				MATERIAL NO.		SEE CHART		DOCUMENT NO.		SD-54167-002	
				SIZE		A3		THIS DRAWING CONTAINS INFORMATION THAT IS PROPRIETARY TO MOLEX INCORPORATED AND SHOULD NOT BE USED WITHOUT WRITTEN PERMISSION		SHEET NO. 3 OF 6	

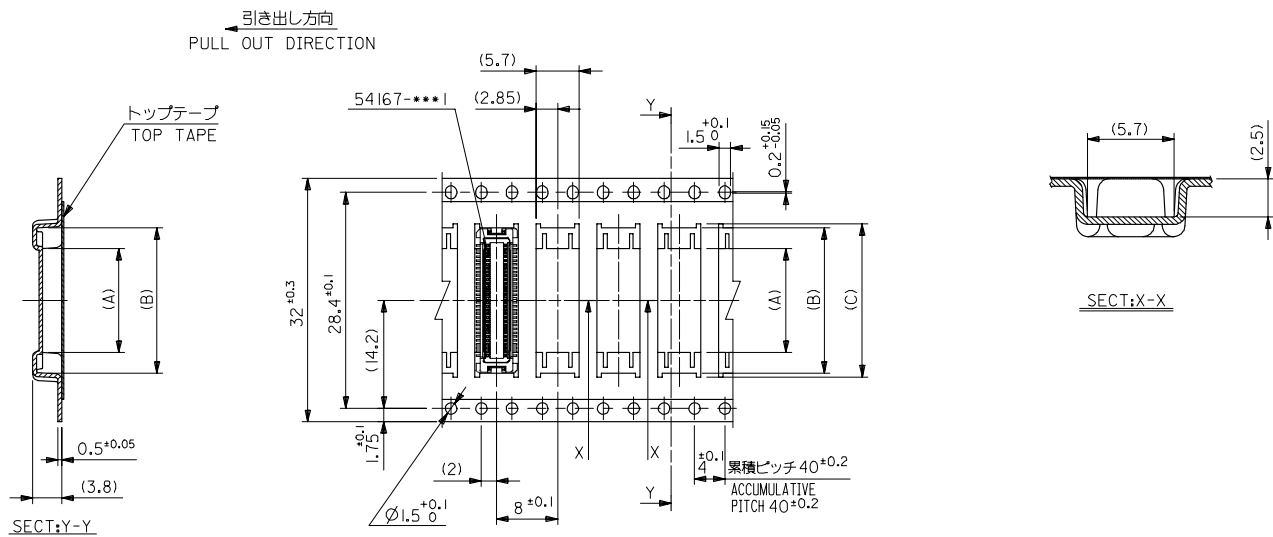
0.5 B/B CONN REC HSG
ASSY EMBSTP PKG
-LEAD FREE-

MOLEX INCORPORATED



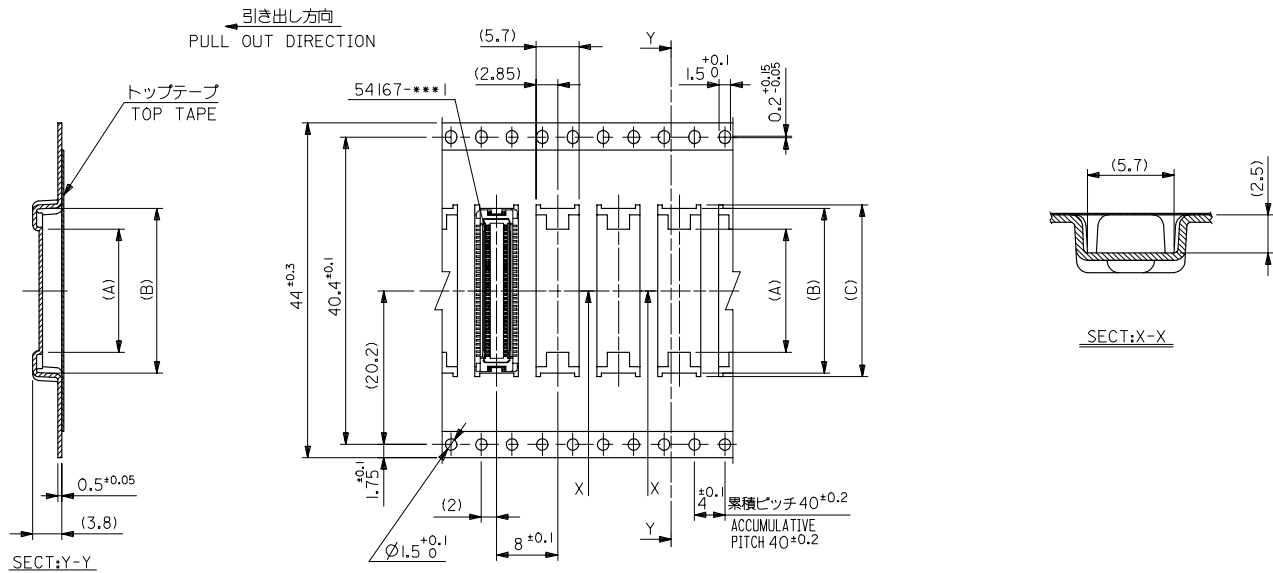
32mm幅キャリアテープ
32mm WIDTH CARRIER TAPE

REVISED EC NO. J2006-0604 DRAWN BY DRWNAIDA CHKD KTUYODA APPR. NUKITA	54167***8	MODEL NO.	32	37.4	33.4	17.6	16.6	11.2	54167-0508	50	
	GENERAL TOLERANCES (UNLESS SPECIFIED)		DIMENSION STYLE MM ONLY		SCALE	DESIGN UNITS METRIC		THIRD ANGLE PROJECTION			
	10 UNDER	±---	DRAWN BY S. AIHARA	DATE '96/11/25	TITLE 0.5 B/B CONN REC HSG ASSY EMBSTP PKG -LEAD FREE-						
	10 OVER 30 UNDER	±---	CHECKED BY T. ITO	DATE '00/12/06	MOLEX INCORPORATED						
30 OVER	±---	APPROVED BY M. FUKUSHIMA	DATE '00/12/06	MATERIAL NO.		DOCUMENT NO.		SHEET NO.			
ANGULAR ±--- °		DRAFT WHERE APPLICABLE MUST REMAIN WITHIN DIMENSIONS		SEE CHART		SD-54167-002		4 OF 6			
THIS DRAWING CONTAINS INFORMATION THAT IS PROPRIETARY TO MOLEX INCORPORATED AND SHOULD NOT BE USED WITHOUT WRITTEN PERMISSION											



32mm幅キャリアテープ
32mm WIDTH CARRIER TAPE

REVISED REV. NO. J2006-0604 EC NO. J2006-0604 DRAWN BY CHIKAKI YODA CHECKED BY CHIKAKI YODA APPR. NIKITA 2005/08/31 2005/09/01 2005/09/09	54167***8	MODEL NO.	32	37.4	33.4	20.1	19.1	13.7	54167-0608	60	
	GENERAL TOLERANCES (UNLESS SPECIFIED)		DIMENSION STYLE MM ONLY		SCALE ---	DESIGN UNITS METRIC		THIRD ANGLE PROJECTION			
	10 UNDER	± ---	DRAWN BY T. YASUI	DATE '97/05/14		TITLE 0.5 B/B CONN REC HSG ASSY EMBSTP PKG -LEAD FREE-					
	10 OVER 30 UNDER	± ---	CHECKED BY T. ITO	DATE '00/12/06		MOLEX INCORPORATED					
30 OVER	± ---	APPROVED BY M. FUKUSHIMA	DATE '00/12/06		MATERIAL NO. SEE CAHRT		DOCUMENT NO. SD-54167-002		SHEET NO. 5 OF 6		
ANGULAR ±1 °		DRAFT WHERE APPLICABLE MUST REMAIN WITHIN DIMENSIONS		THIS DRAWING CONTAINS INFORMATION THAT IS PROPRIETARY TO MOLEX INCORPORATED AND SHOULD NOT BE USED WITHOUT WRITTEN PERMISSION							



44mm幅キャリアテープ
44mm WIDTH CARRIER TAPE

REVISED REV. NO. J2006-0604 EC NO. J2006-0604 DRAWN BY CHIKAKI YODA CHKD BY T. ITO APP. BY NIKITA	DESCRIPTION 54167***8	MODEL NO.	44	49.4	45.4	25.1	24.1	17.5	54167-0808	80
		GENERAL TOLERANCES (UNLESS SPECIFIED)	キャリアテープ幅 (CARRIER TAPE WIDTH)	E	D	(C)	(B)	(A)	MATERIAL NO.	種数 (CIRCUIT)
10 UNDER	±---	DIMENSION STYLE	MM ONLY			SCALE	---		DESIGN UNITS	METRIC
10 OVER 30 UNDER	±---	DRAWN BY	S. AIHARA		DATE	'98/10/23		THIRD ANGLE PROJECTION		
30 OVER	±---	CHECKED BY	T. ITO		DATE	'00/12/06		0.5 B/B CONN REC HSG ASSY EMBSTP PKG -LEAD FREE-		
ANGULAR	±--- °	APPROVED BY	M. FUKUSHIMA		DATE	'00/12/06		MOLEX INCORPORATED		
DRAFT WHERE APPLICABLE MUST REMAIN WITHIN DIMENSIONS		MATERIAL NO.	SEE CHART			DOCUMENT NO.	SD-54167-002		SHEET NO.	6 OF 6
THIS DRAWING CONTAINS INFORMATION THAT IS PROPRIETARY TO MOLEX INCORPORATED AND SHOULD NOT BE USED WITHOUT WRITTEN PERMISSION										