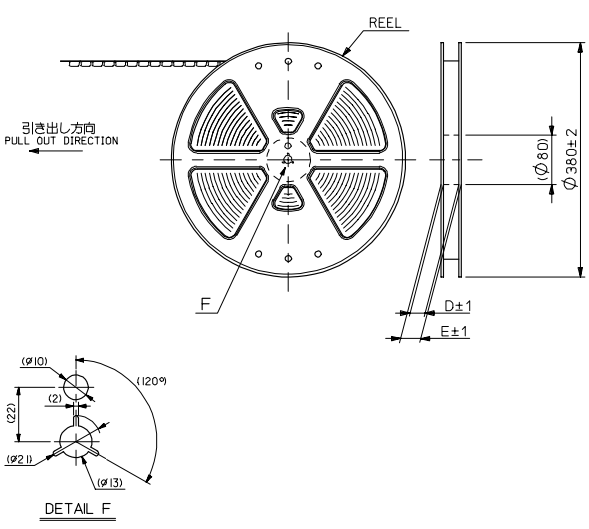


注記 NOTES:

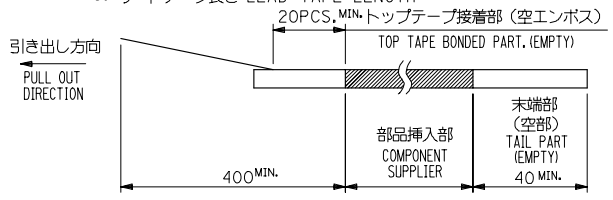
- 使用材料 MATERIAL  
ハウジング: LCPガラス入り (黒), UL94V-0  
HOUSING: LCP(G.F.)(COLOR :BLACK), UL94V-0  
ターミナル: リン青銅 (t=0.15)  
TERMINAL: PHOSPHOR BRONZE (t=0.15)
- メッキ仕様 PLATING  
全体仕上げ: 金メッキ 0.1 MICROMETER MIN.  
ALL OVER : GOLD 0.1 MICROMETER MIN.  
下地メッキ: ニッケルメッキ 1.5 MICROMETER MIN.  
UNDER PLATING : NICKEL 1.5 MICROMETER MIN.
- 基準面 [X] からのソルダータールの半田付け面のズレ量は、上方向 0、下方向 0.15MAX. とする。  
MISALIGNMENT OF SOLDER TAIL FROM [X] : UPPER DIRECTION 0, LOWER DIRECTION 0.15 MAX.  
▲ (全極数/2) = 偶数の場合に適用。  
APPLY FOR (CIRCUIT/2)=EVEN.
- 嵌合相手: 53748 シリーズ, 53916 シリーズ, 502280 シリーズ  
MATE WITH : 53748 SERIES, 53916 SERIES, 502280 SERIES.
- テール平坦度は、0.1MAX.  
TAIL COPLANARITY TO BE 0.1MAX.

10 9 8 7 6 5 4 3 2 1

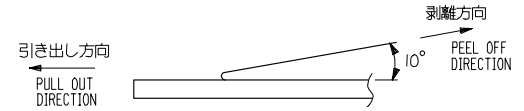


**NOTES**

1. 製品詳細寸法については図面 SD-54167-001 を参照下さい。  
RE DETAILED DIMENSION, SEE SD-54167-001
2. 梱包数量：3000個/リール  
NUMBER OF CONNECTORS : 3000PCS/REEL
3. リードテープ長さ LEAD TAPE LENGTH



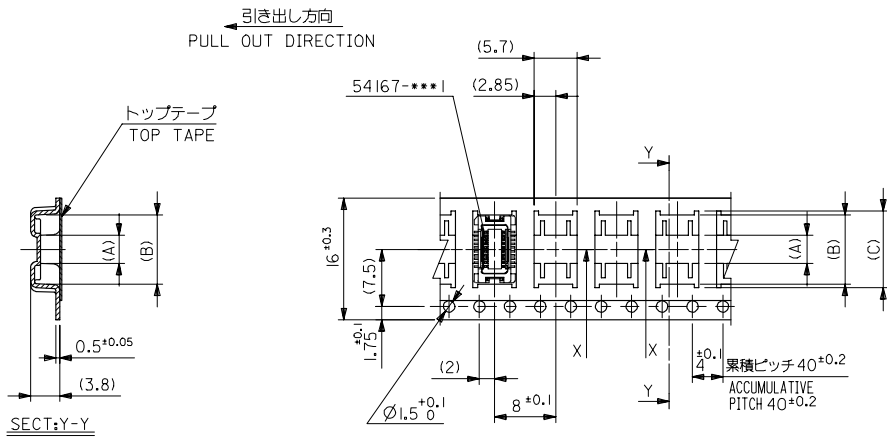
4. トップテープの剥離強度：0.1N~1.3 (10gf~130gf) (剥離方向は下図参照) 尚、本規格値は出荷時に適用。(但し、輸送時に剥離が発生しないこと。)  
PEELING OFF FORCE OF TOP TAPE : 0.1N~1.3 (10gf~130gf)  
(PEELING DIRECTION AS SHOWN IN FOLLOWING FIG.)  
THIS REQUIREMENT SHOULD BE APPLIED AT SHIPMENT.  
PEEL OFF SHOULD NOT BE ALLOWED , DURING TRANSPORTATION.



5. 材料 (MATERIAL)  
キャリアテープ (CARRIER TAPE) : ポリプロピレン (POLYPROPYLENE)  
トップテープ (TOP TAPE) : PET , PE , PEF  
リール (REEL) : ポリスチレン (P.S) <リサイクル材を含む>  
POLYSTYRENE (PS) <RECYCLE MATERIAL CONTAINED>

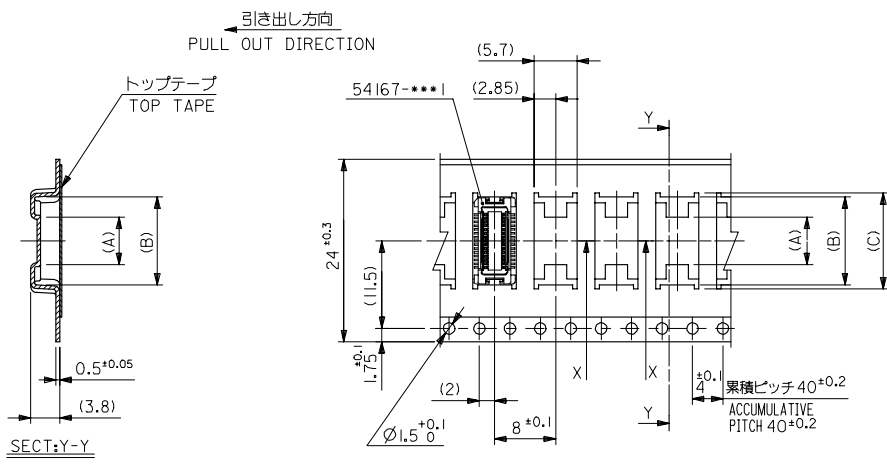
54167\*\*\*8 MODEL NO.

REVISED EC NO: J2006-0604 DRW: NAITA 2005/08/31 CHK: KTYODA 2005/09/01 APPR: NUKITA 2005/09/09	GENERAL TOLERANCES (UNLESS SPECIFIED)		DIMENSION STYLE MM ONLY		SCALE ---	DESIGN UNITS METRIC	THIRD ANGLE PROJECTION
	10 UNDER	±0.2	DRAWN BY S. AIHARA	DATE '96/11/25	TITLE 0.5 B/B CONN REC HSG ASSY EMBSTP PKG -LEAD FREE-		
	10 OVER 30 UNDER	±0.25	CHECKED BY T. ITO	DATE '00/12/06			
	30 OVER	±0.3	APPROVED BY M. FUKUSHIMA	DATE '00/12/06	MOLEX INCORPORATED		
	ANGULAR	±3 °	MATERIAL NO. SEE CHART				
DRAFT WHERE APPLICABLE MUST REMAIN WITHIN DIMENSIONS			SIZE A3		THIS DRAWING CONTAINS INFORMATION THAT IS PROPRIETARY TO MOLEX INCORPORATED AND SHOULD NOT BE USED WITHOUT WRITTEN PERMISSION		



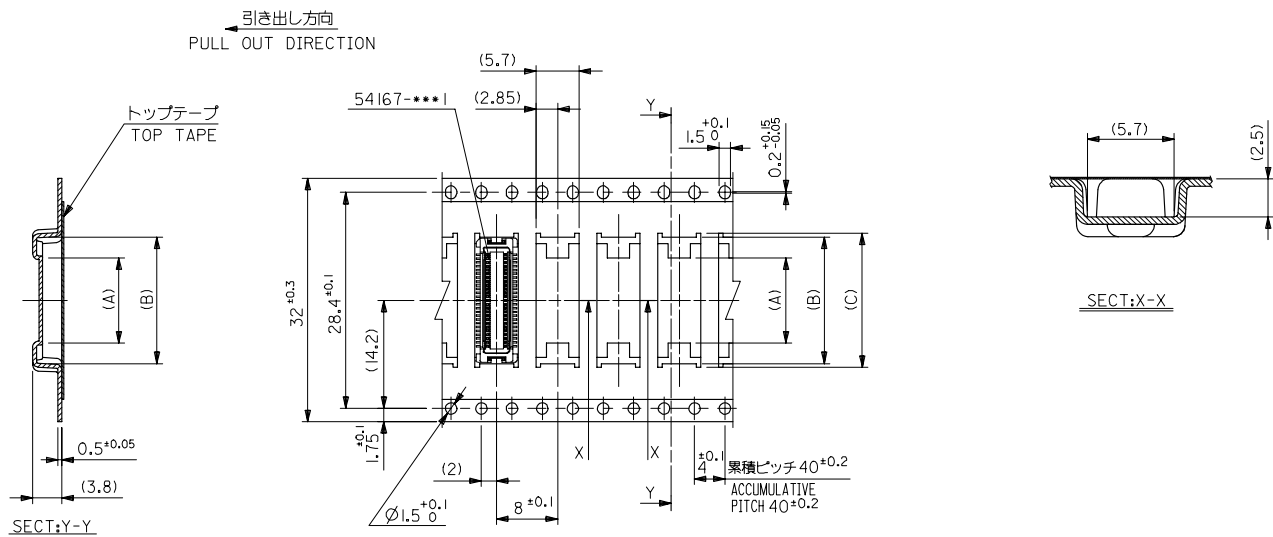
16mm 幅キャリアテープ  
16mm WIDTH CARRIER TAPE

REVISED REV. NO. J2006-0604 EC NO. J2006-0604 DRAWN BY CHIKAKI YODA CHKD BY YODA APPR. NUKITA	DESCRIPTION 54167***8	MODEL NO.	54167***8	キャリアテープ幅 CARRIER TAPE WIDTH	16	21.4	17.4	10.1	9.1	3.7	54167-0208	20	
		GENERAL TOLERANCES (UNLESS SPECIFIED)		DIMENSION STYLE	MM ONLY			SCALE	---		DESIGN UNITS	METRIC	
		10 UNDER	± ---	DRAWN BY	S. AIHARA		DATE	'97/05/09		TITLE			
		10 OVER 30 UNDER	± ---	CHECKED BY	T. ITO		DATE	'00/12/06		0.5 B/B CONN REC HSG ASSY EMBSTP PKG -LEAD FREE-			
30 OVER	± ---	APPROVED BY	M. FUKUSHIMA		DATE	'00/12/06		MOLEX INCORPORATED					
ANGULAR	± --- °	DRAFT WHERE APPLICABLE MUST REMAIN WITHIN DIMENSIONS		MATERIAL NO.	SEE CHART			DOCUMENT NO.	SD-54167-002		SHEET NO.	2 OF 6	
				THIS DRAWING CONTAINS INFORMATION THAT IS PROPRIETARY TO MOLEX INCORPORATED AND SHOULD NOT BE USED WITHOUT WRITTEN PERMISSION									



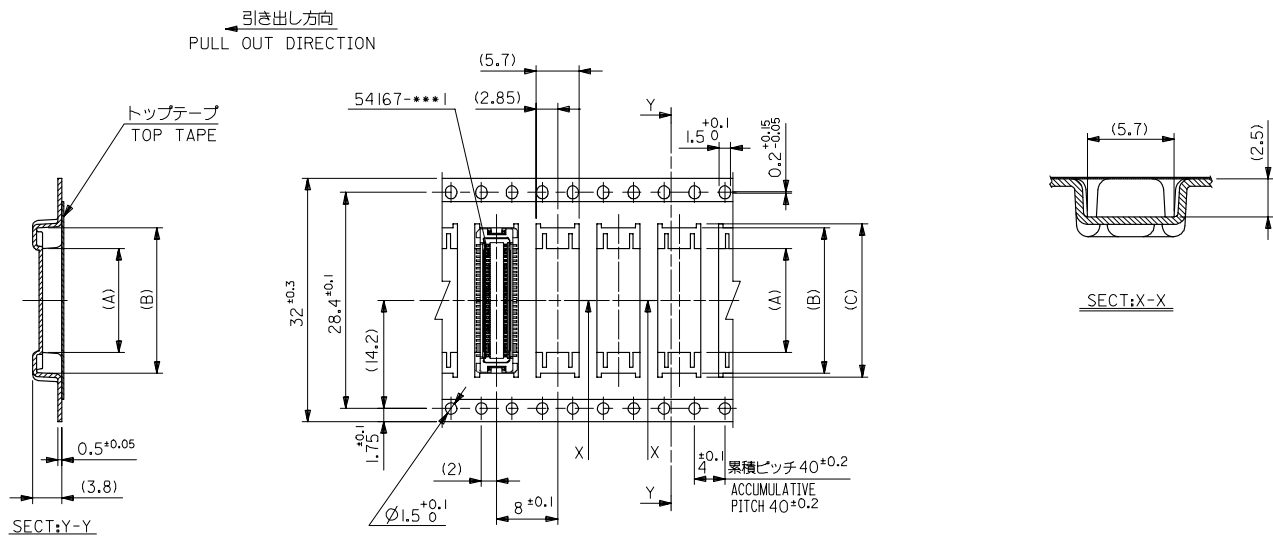
24mm幅キャリアテープ  
24mm WIDTH CARRIER TAPE

REVISED REV. NO. J2006-0604 EC NO. J2006-0604 DRAWN BY DRW:NAIDA CHK:KTOYODA APP:NUKITA	DESCRIPTION 2005/08/31 2005/09/01 2005/09/09	54167***8	MODEL NO.	24	29.4	25.4	15.1	14.1	7.4	54167-0408	40
				キャリアテープ幅 CARRIER TAPE WIDTH	E	D	(C)	(B)	(A)	MATERIAL NO.	極数 CIRCUIT
		GENERAL TOLERANCES (UNLESS SPECIFIED)		DIMENSION STYLE MM ONLY		SCALE ---	DESIGN UNITS METRIC		THIRD ANGLE PROJECTION		
		10 UNDER	± ---	DRAWN BY S. AIHARA		DATE '97/05/09	TITLE 0.5 B/B CONN REC HSG ASSY EMBSTP PKG -LEAD FREE-				
		10 OVER 30 UNDER	± ---	CHECKED BY T. ITO		DATE '00/12/06					
		30 OVER	± ---	APPROVED BY M. FUKUSHIMA		DATE '00/12/06					
		ANGULAR	± --- °	MATERIAL NO.		DOCUMENT NO.	MOLEX INCORPORATED		SHEET NO. 3 OF 6		
		DRAFT WHERE APPLICABLE MUST REMAIN WITHIN DIMENSIONS		SEE CHART		SD-54167-002		THIS DRAWING CONTAINS INFORMATION THAT IS PROPRIETARY TO MOLEX INCORPORATED AND SHOULD NOT BE USED WITHOUT WRITTEN PERMISSION			



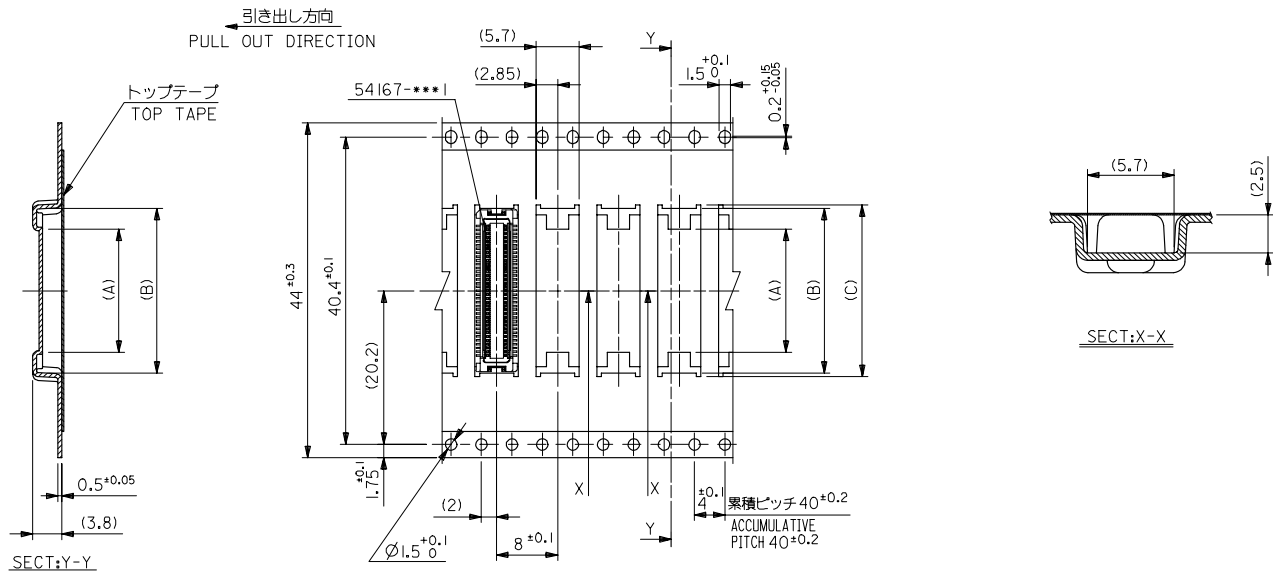
32mm幅キャリアテープ  
32mm WIDTH CARRIER TAPE

REVISED EC NO. J2006-0604 DRAWN BY DRW:NAIDA CHK:KTOYODA APP:NIKIITA	54167***8	MODEL NO.	32	37.4	33.4	17.6	16.6	11.2	54167-0508	50
	GENERAL TOLERANCES (UNLESS SPECIFIED)		DIMENSION STYLE MM ONLY		SCALE	DESIGN UNITS METRIC	THIRD ANGLE PROJECTION			
	10 UNDER	±---	DRAWN BY S. AIHARA		DATE '96/11/25	TITLE 0.5 B/B CONN REC HSG ASSY EMBSTP PKG -LEAD FREE-				
	10 OVER 30 UNDER	±---	CHECKED BY T. ITO		DATE '00/12/06	MOLEX INCORPORATED				
30 OVER	±---	APPROVED BY M. FUKUSHIMA		DATE '00/12/06	DOCUMENT NO. SD-54167-002		SHEET NO. 4 OF 6			
ANGULAR ±--- °		DRAFT WHERE APPLICABLE MUST REMAIN WITHIN DIMENSIONS		SEE CHART		THIS DRAWING CONTAINS INFORMATION THAT IS PROPRIETARY TO MOLEX INCORPORATED AND SHOULD NOT BE USED WITHOUT WRITTEN PERMISSION				



32mm幅キャリアテープ  
32mm WIDTH CARRIER TAPE

REVISED EC NO. J2006-0604 DRAWN BY T. YASUDA CHKD BY CHIKAKI YODA APP. BY MUKITA 2005/08/31 2005/09/01 2005/09/09	54167***8	MODEL NO.	32	37.4	33.4	20.1	19.1	13.7	54167-0608	60
	GENERAL TOLERANCES (UNLESS SPECIFIED)		DIMENSION STYLE MM ONLY		SCALE ---	DESIGN UNITS METRIC		THIRD ANGLE PROJECTION		
	10 UNDER	± ---	DRAWN BY T. YASUI	DATE '97/05/14		TITLE 0.5 B/B CONN REC HSG ASSY EMBSTP PKG -LEAD FREE-				
	10 OVER 30 UNDER	± ---	CHECKED BY T. ITO	DATE '00/12/06		MOLEX INCORPORATED				
30 OVER	± ---	APPROVED BY M. FUKUSHIMA	DATE '00/12/06		MATERIAL NO. SEE CAHRT		DOCUMENT NO. SD-54167-002		SHEET NO. 5 OF 6	
ANGULAR ±1 °		DRAFT WHERE APPLICABLE MUST REMAIN WITHIN DIMENSIONS		THIS DRAWING CONTAINS INFORMATION THAT IS PROPRIETARY TO MOLEX INCORPORATED AND SHOULD NOT BE USED WITHOUT WRITTEN PERMISSION						



44mm幅キャリアテープ  
44mm WIDTH CARRIER TAPE

REVISED REV. NO. J2006-0604 EC NO. 2005/0813 DRAWN BY CHIKAKI YODA CHKD BY T. ITO APP. BY MUKITA 2005/09/01 2005/09/09	54167***8	MODEL NO.	44	49.4	45.4	25.1	24.1	17.5	54167-0808	80
	GENERAL TOLERANCES (UNLESS SPECIFIED)		DIMENSION STYLE MM ONLY		SCALE ---	DESIGN UNITS METRIC		THIRD ANGLE PROJECTION		
	10 UNDER	± ---	DRAWN BY S. AIHARA		DATE '98/10/23	TITLE 0.5 B/B CONN REC HSG ASSY EMBSTP PKG -LEAD FREE-				
	10 OVER 30 UNDER	± ---	CHECKED BY T. ITO		DATE '00/12/06	MOLEX INCORPORATED				
30 OVER	± ---	APPROVED BY M. FUKUSHIMA		DATE '00/12/06	MATERIAL NO.		DOCUMENT NO. SD-54167-002		SHEET NO. 6 OF 6	
ANGULAR ± --- °		DRAFT WHERE APPLICABLE MUST REMAIN WITHIN DIMENSIONS		SEE CHART		THIS DRAWING CONTAINS INFORMATION THAT IS PROPRIETARY TO MOLEX INCORPORATED AND SHOULD NOT BE USED WITHOUT WRITTEN PERMISSION				